



Chipsmall Limited consists of a professional team with an average of over 10 year of expertise in the distribution of electronic components. Based in Hongkong, we have already established firm and mutual-benefit business relationships with customers from,Europe,America and south Asia,supplying obsolete and hard-to-find components to meet their specific needs.

With the principle of “Quality Parts,Customers Priority,Honest Operation,and Considerate Service”,our business mainly focus on the distribution of electronic components. Line cards we deal with include Microchip,ALPS,ROHM,Xilinx,Pulse,ON,Everlight and Freescale. Main products comprise IC,Modules,Potentiometer,IC Socket,Relay,Connector.Our parts cover such applications as commercial,industrial, and automotives areas.

We are looking forward to setting up business relationship with you and hope to provide you with the best service and solution. Let us make a better world for our industry!



Contact us

Tel: +86-755-8981 8866 Fax: +86-755-8427 6832

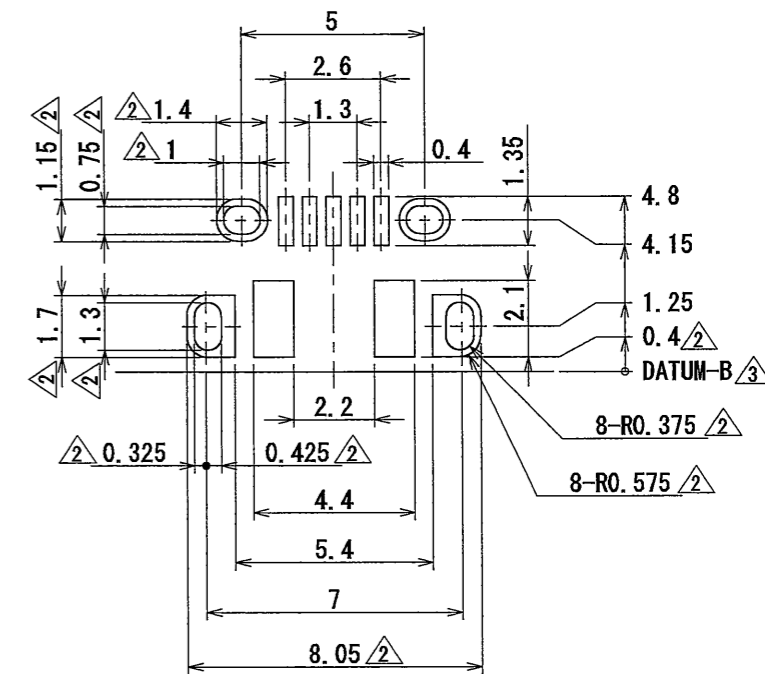
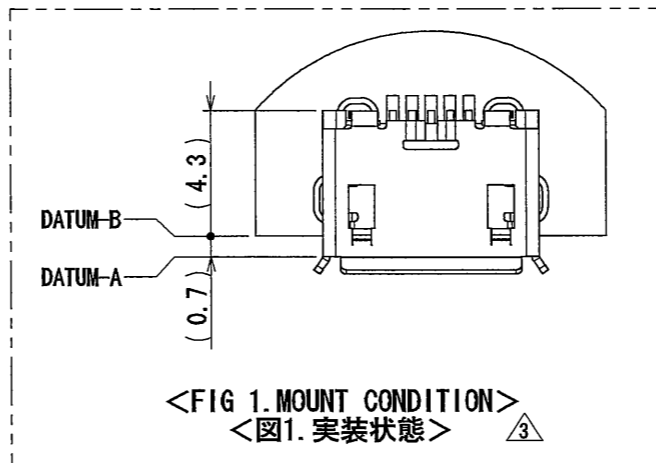
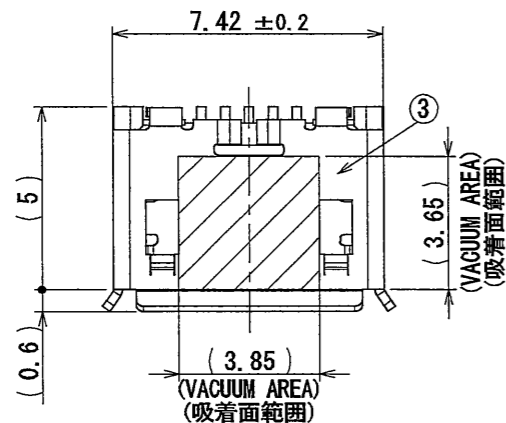
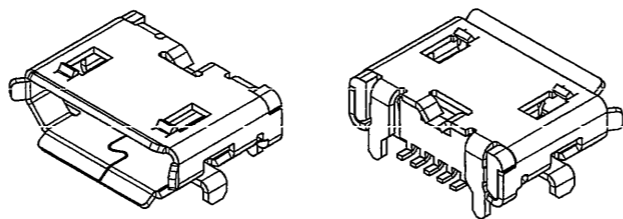
Email & Skype: info@chipsmall.com Web: www.chipsmall.com

Address: A1208, Overseas Decoration Building, #122 Zhenhua RD., Futian, Shenzhen, China

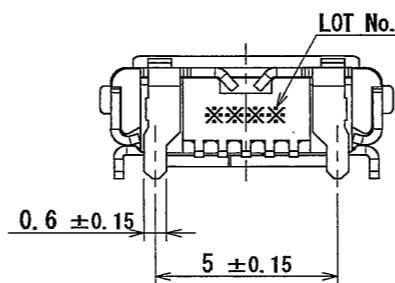
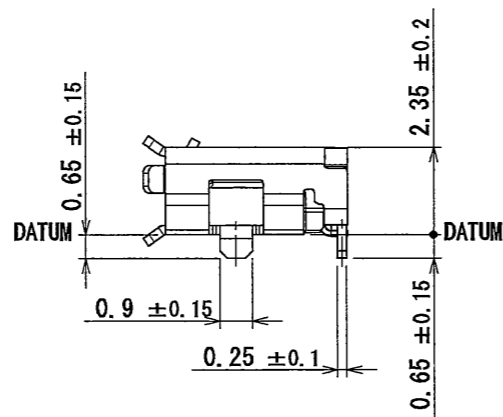
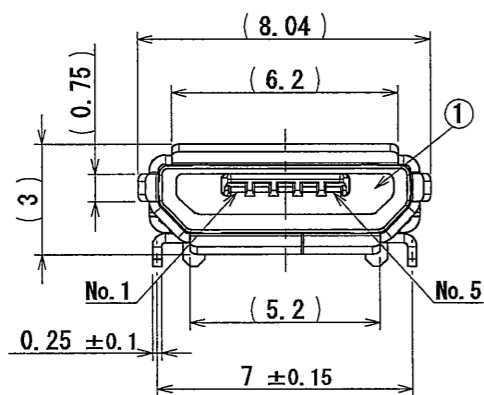


8L5011S
SJ110578
(ON DRAWING) 台番号 (DRAWING NO.)

版数 REV.	年月日 DATE	DCN NO.	変更内容 DESCRIPTION	製図 DR.	担当 CHK.	査閲 APPD.	承認 APPD.
2	07/APR/2010	069801	CHANGE APPLICABLE P.C.B. DIMENSION		M. NISHIKATA	T. EHARA	A. NATORI
3	12/MAY/2011	072096	ADDITION DIMENSION		M. NISHIKATA		A. Natori

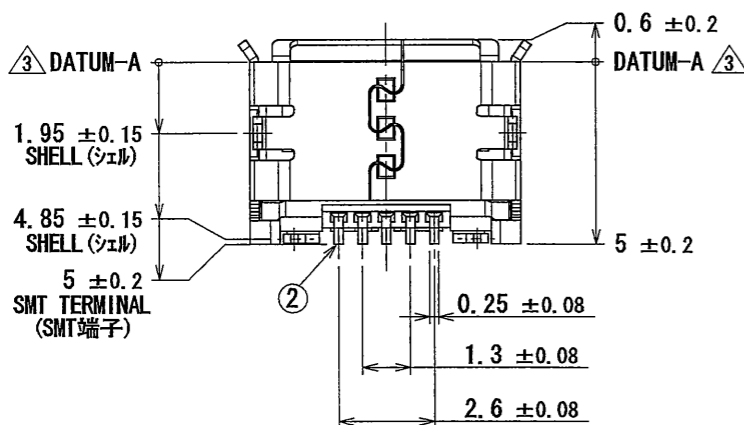


APPLICABLE P.C.B. DIMENSION (REF.)
適合基板寸法 (参考)



NOTE 1. COPLANARITY OF SMT TERMINAL IS 0.08MAX.
NOTE 2. THIS CONNECTOR CONSISTS OF "Universal Serial Bus Micro-USB Cable and Connector Specification Revision 1.01"

注1. 本コネクタのSMT端子のバラツキ(1コネクタ内のMAX値とMIN値の差:コネクタ内)は0.08以下とする。
注2. 本コネクタの開口部寸法は、"Universal Serial Bus Micro-USB Cable and Connector Specification Revision 1.01" による。



符号 No.	名称 DESCRIPTION	個数 QTY.	材料 MATERIAL	仕上 FINISH	備考 REMARKS
3	SHELL	1	STAINLESS STEEL	TIN OVER NICKEL	t0.25
2	CONTACT	5	COPPER ALLOY	CONTACT AREA: GOLD OVER Pd-NI TERMINAL AREA: GOLD FLASH OVER NI	GOLD PLATING: 0.05 μmMIN Ni-Pd PLATING: 0.75 μmMIN GOLD FLASH PLATING: 0.05~0.1 μm
1	INSULATOR	1	LCP	COLOR: BLACK	UL94 V-0

仕様書 (SPECIFICATION) JACS-30162		第1版 (ORIGINAL DATE) 26/MAR/2010		尺度 (SCALE) 5:1	シリーズ (SERIES) DX4	日本航空電子工業株式会社
一般公差 (GENERAL TOLERANCE)		製図 DR.		名称 (TITLE) DX4R005JJ2		
寸法 (DIMENSION)		担当 CHK. M. NISHIKATA		査閲 APPD. T. EHARA		
角度 (ANGLES)		承認 APPD. A. NATORI		質量 (MASS)		
±0.8	×° ±	 JAPAN AVIATION ELECTRONICS INDUSTRY, LTD. 図面番号 (DRAWING NO.) SJ110578				
±0.4	×°' ±					
±0.1						
±						

DGF-C-212E (05.08)

