



Chipsmall Limited consists of a professional team with an average of over 10 year of expertise in the distribution of electronic components. Based in Hongkong, we have already established firm and mutual-benefit business relationships with customers from,Europe,America and south Asia,supplying obsolete and hard-to-find components to meet their specific needs.

With the principle of "Quality Parts,Customers Priority,Honest Operation,and Considerate Service",our business mainly focus on the distribution of electronic components. Line cards we deal with include Microchip,ALPS,ROHM,Xilinx,Pulse,ON,Everlight and Freescale. Main products comprise IC,Modules,Potentiometer,IC Socket,Relay,Connector.Our parts cover such applications as commercial,industrial, and automotives areas.

We are looking forward to setting up business relationship with you and hope to provide you with the best service and solution. Let us make a better world for our industry!



## Contact us

Tel: +86-755-8981 8866 Fax: +86-755-8427 6832

Email & Skype: info@chipsmall.com Web: www.chipsmall.com

Address: A1208, Overseas Decoration Building, #122 Zhenhua RD., Futian, Shenzhen, China



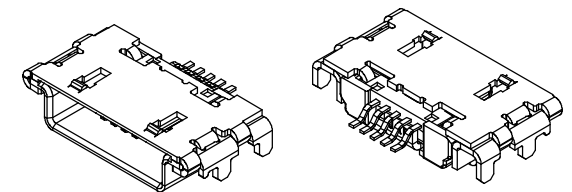
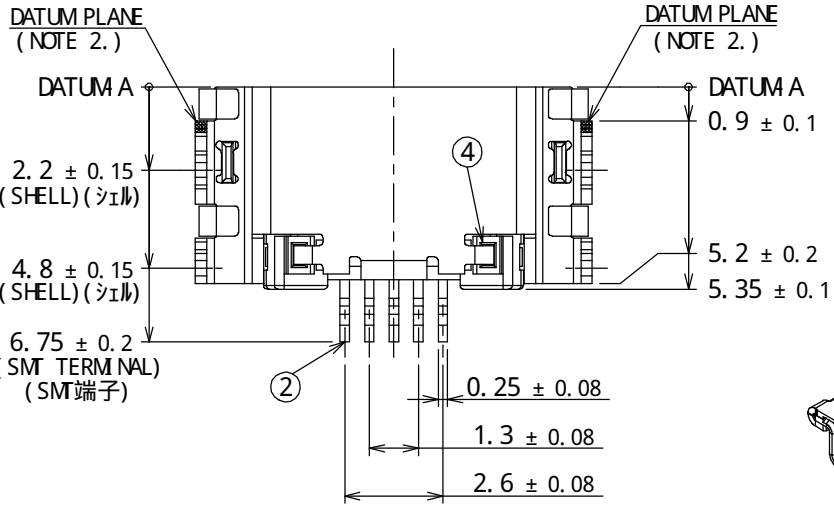
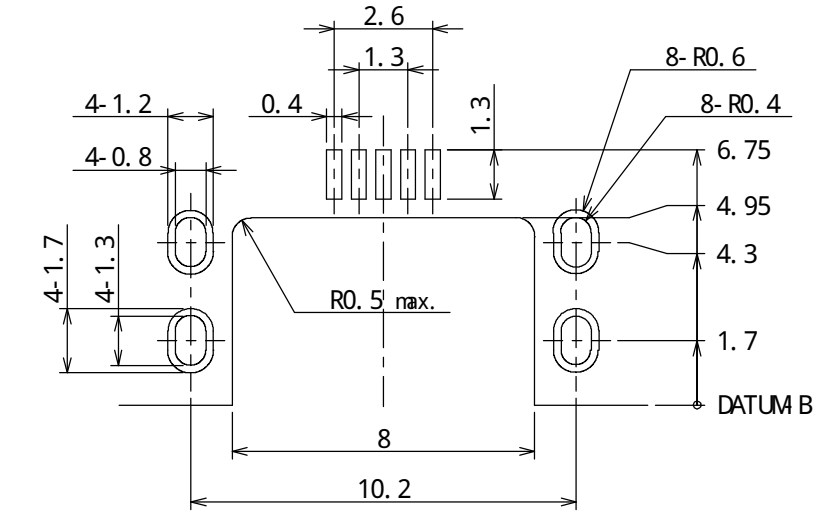
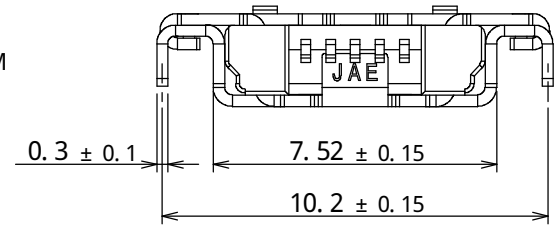
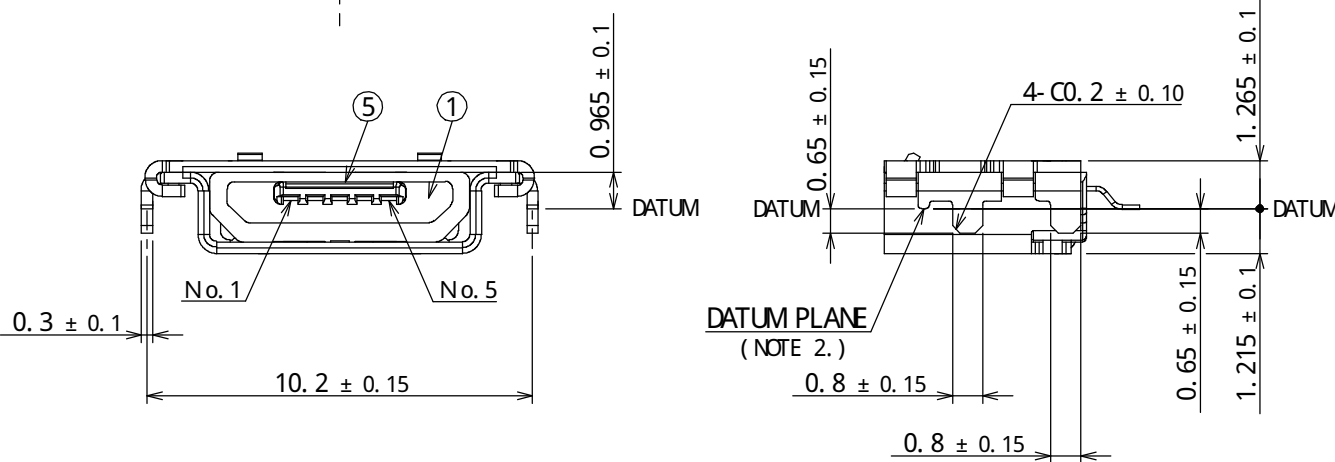
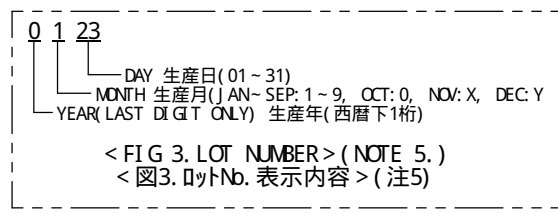
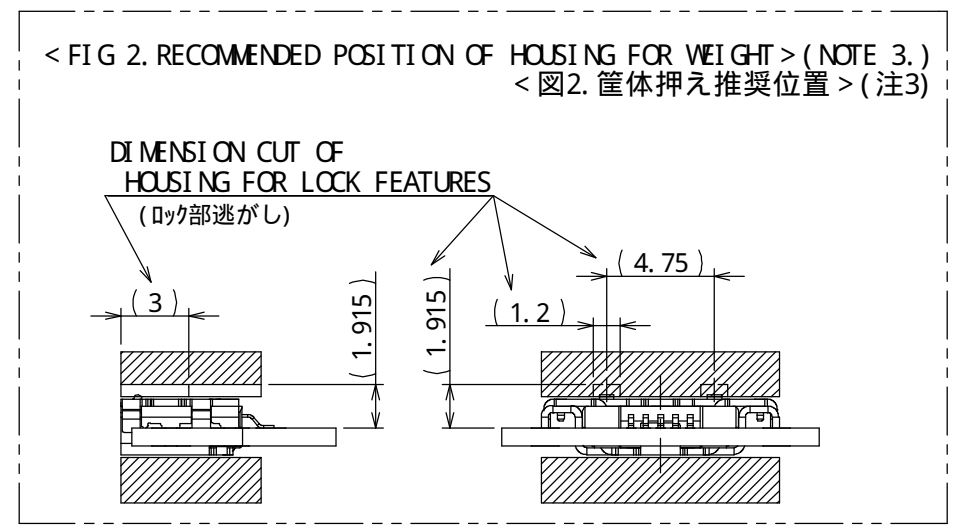
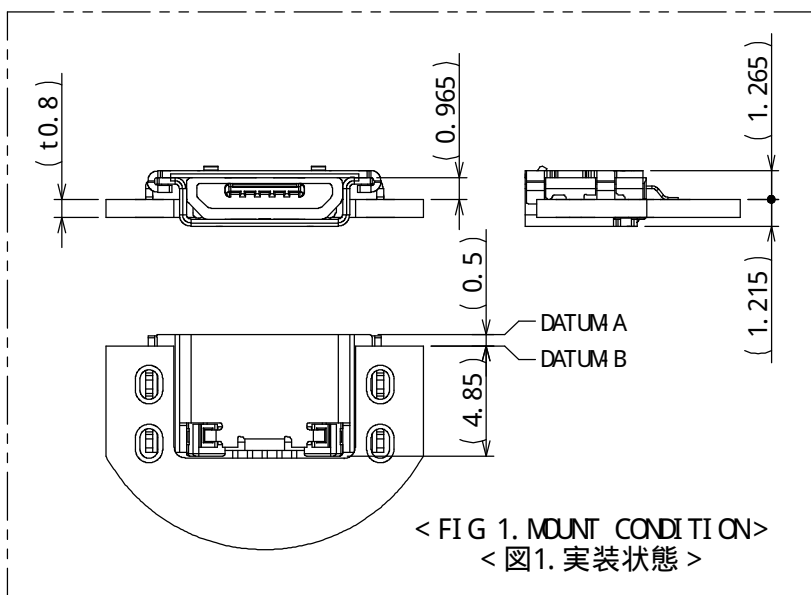
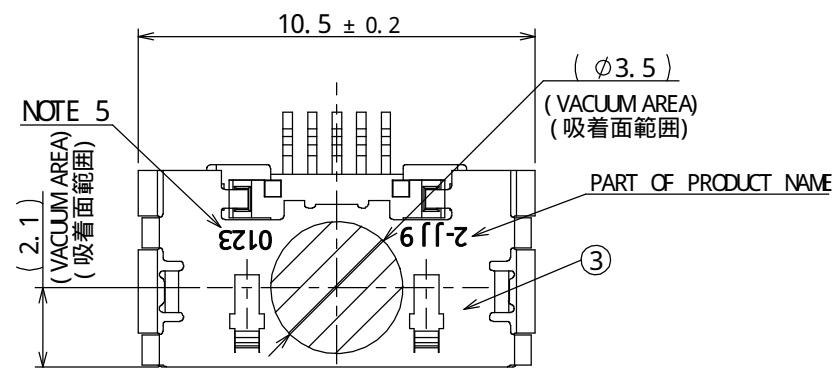
SJ 112804

(ON DRAWING) 台異異異

版数 REV.	年月日 DATE	CN NO.	変更内容 DESCRIPTION	製図 DR.	担当 CHK.	査閲 APPD.	承認 APPD.
------------	-------------	--------	---------------------	-----------	------------	-------------	-------------

- NOTE 1. COPLANARITY OF SMT TERMINAL IS 0.08MAX.  
 NOTE 2. THIS FACE IS BASE.  
 NOTE 3. FOR PREVENTION OF A CHANGE OF A CONNECTOR, PLEASE DO WEIGHT OF HOUSING BY ALL MEANS.  
 NOTE 4. THIS CONNECTOR CONSISTS OF "Universal Serial Bus Micro-USB Cable and Connector Specification Revision 1.01"  
 NOTE 5. MARK LOT NUMBER IN PLACE TO SHOW IN FIGURE. (REFER TO FIG 3)

- 注1. 本コネクタのSMT端子のバラツキ(1コネクタ内のMAX値とMIN値の差: 球バラティ)は0.08以下とする。  
 注2. この面は基準面である。  
 注3. コネクタの変形防止の為、必ず筐体で抑えること。  
 注4. 本コネクタの開口部寸法は、"Universal Serial Bus Micro-USB Cable and Connector Specification Revision 1.01"による。  
 注5. 図示の位置にロットNo. を表示する。(図3参照)



符号 No.	名称 DESCRIPTION	個数 QTY.	材料 MATERIAL	仕上 FINISH	備考 REMARKS
5	GUARD PLATE	1	STAINLESS STEEL	-	t0.12
4	SHELL2	1	STAINLESS STEEL	TIN OVER NICKEL	t0.3
3	SHELL1	1	STAINLESS STEEL	TIN OVER NICKEL	t0.3
2	CONTACT	5	COPPER ALLOY	CONTACT AREA: GOLD OVER Pd-NI TERMINAL AREA: GOLD FLASH OVER Ni	GOLD PLATING: 0.05μmMIN Ni-Pd PLATING: 0.75μmMIN GOLD FLASH PLATING: 0.08~0.13μm
1	INSULATOR	1	9Tny	COLOR: GRAY	UL94 HB

仕様書(SPECIFICATION) JACS-30259	第1版(ORIGINAL DATE) 29/FEB/2012	尺度(SCALE) 5:1	シリーズ(SERIES) DX4	日本航空電子工業株式会社
一般公差(GENERAL TOLERANCE) 寸法(DIMENSION)	角度(ANGLES)	製図 DR.	名称(TITLE) DX4R205J J9	JAPAN AVIATION ELECTRONICS INDUSTRY, LTD.
± 0.8 × ± 0.4 ×× ± 0.1 ××× ±	×° ± ×°' ±	担当 CHK. M NISHIKATA	査閲 APPD. —	図面番号(DRAWING NO.) SJ 112804
		承認 APPD. M KI KUCHI	質量(MASS)	版数 (REV.) 1

WISDOM承認 2012/03/05

DCF-C-212G(11.08)

