



Chipsmall Limited consists of a professional team with an average of over 10 year of expertise in the distribution of electronic components. Based in Hongkong, we have already established firm and mutual-benefit business relationships with customers from,Europe,America and south Asia,supplying obsolete and hard-to-find components to meet their specific needs.

With the principle of "Quality Parts,Customers Priority,Honest Operation,and Considerate Service",our business mainly focus on the distribution of electronic components. Line cards we deal with include Microchip,ALPS,ROHM,Xilinx,Pulse,ON,Everlight and Freescale. Main products comprise IC,Modules,Potentiometer,IC Socket,Relay,Connector.Our parts cover such applications as commercial,industrial, and automotives areas.

We are looking forward to setting up business relationship with you and hope to provide you with the best service and solution. Let us make a better world for our industry!



Contact us

Tel: +86-755-8981 8866 Fax: +86-755-8427 6832

Email & Skype: info@chipsmall.com Web: www.chipsmall.com

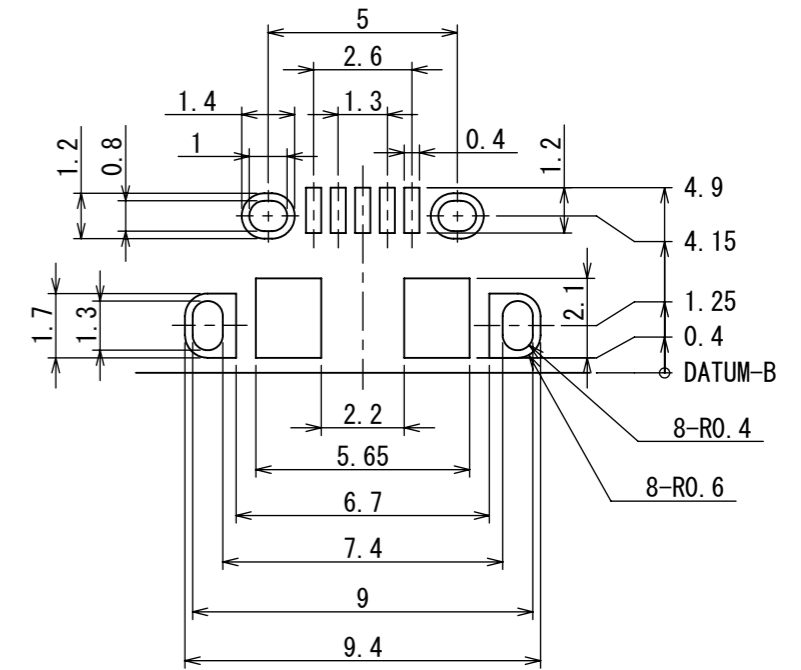
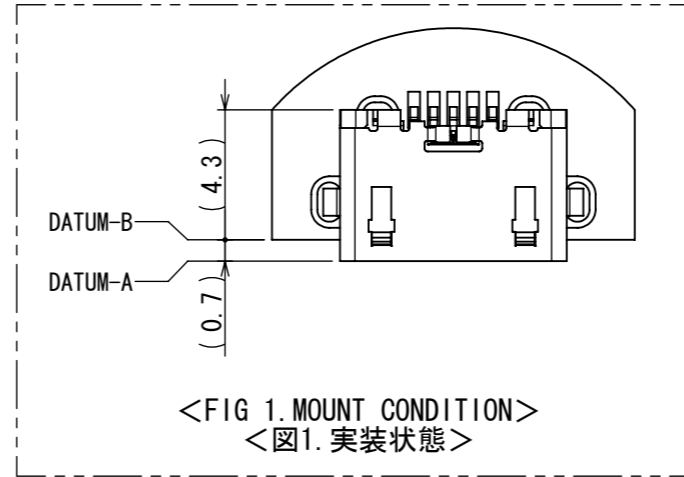
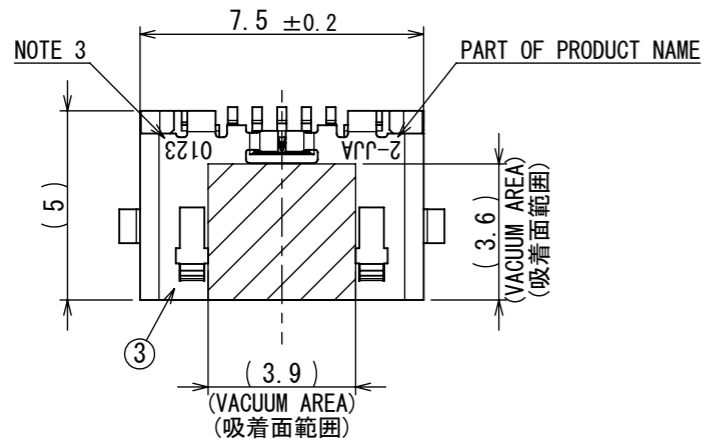
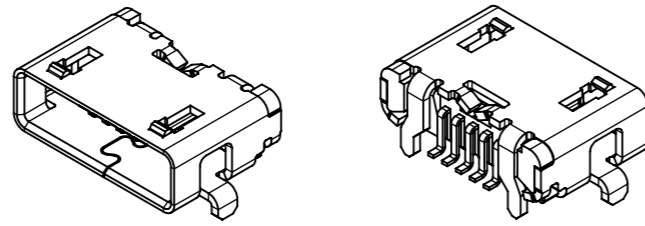
Address: A1208, Overseas Decoration Building, #122 Zhenhua RD., Futian, Shenzhen, China



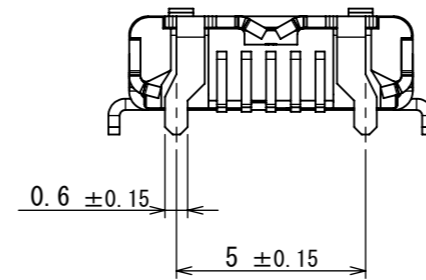
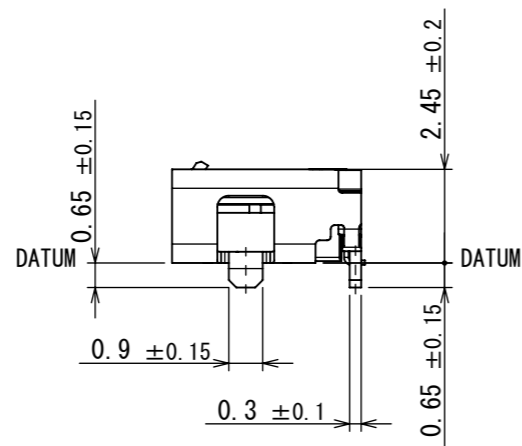
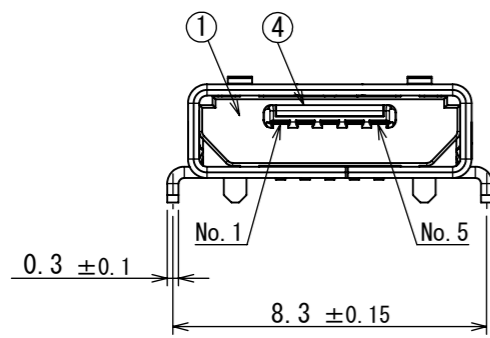
SJ112925

(ON DRAWING) (図面番号)

| 版数 REV. | 年月日 DATE | CN NO. | 変更内容 DESCRIPTION | 製図 DR. | 担当 CHK. | 査閲 APPD. | 承認 APPD. |
|---------|----------|--------|------------------|--------|---------|----------|----------|
|---------|----------|--------|------------------|--------|---------|----------|----------|

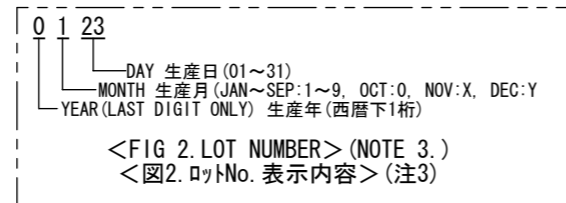
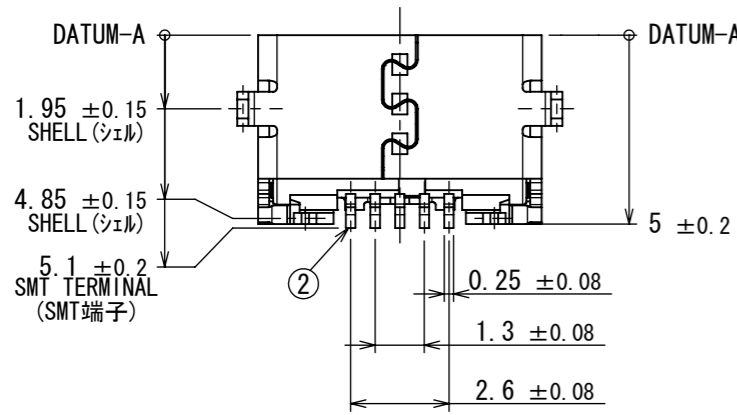


APPLICABLE P.C.B. DIMENSION (REF.)
適合基板寸法 (参考)



- NOTE 1. COPLANARITY OF SMT TERMINAL IS 0.08MAX.
 NOTE 2. THIS CONNECTOR CONSISTS OF "Universal Serial Bus Micro-USB Cable and Connector Specification Revision 1.01"
 NOTE 3. MARK LOT NUMBER IN PLACE TO SHOW IN FIGURE. (REFER TO FIG 2)
- 注1. 本コネクタのSMT端子のバラツキ(コネクタ内のMAX値とMIN値の差: 最大バラツキ)は0.08以下とする。
 注2. 本コネクタの開口部寸法は、"Universal Serial Bus Micro-USB Cable and Connector Specification Revision 1.01"による。
 注3. 図示の位置にロットNo. を表示する。(図2参照)

| 4 | GUARD PLATE | 1 | STAINLESS STEEL | - | t0.12 |
|--------|----------------|---------|-----------------|--|--|
| 3 | SHELL | 1 | STAINLESS STEEL | TIN OVER NICKEL | t0.3 |
| 2 | CONTACT | 5 | COPPER ALLOY | CONTACT AREA: GOLD OVER Pd-NI TERMINAL AREA: GOLD FLASH OVER NI | GOLD PLATING: 0.05 μm MIN Ni-Pd PLATING: 0.75 μm MIN GOLD FLASH PLATING: 0.05~0.1 μm |
| 1 | INSULATOR | 1 | 9T NYLON | COLOR: GRAY | |
| 符号 No. | 名称 DESCRIPTION | 個数 QTY. | 材料 MATERIAL | 仕上 FINISH | 備考 REMARKS |



| | | | |
|--------------------------|---------------------|--------------------|---------------|
| 仕様書 (SPECIFICATION) | 第1版 (ORIGINAL DATE) | 尺度 (SCALE) | シリーズ (SERIES) |
| JACS-30267 | 05/JUN/2012 | 5:1 | DX4 |
| 一般公差 (GENERAL TOLERANCE) | 製図 DR. | 名称 (TITLE) | |
| 寸法 (DIMENSION) | 担当 CHK. | DX4R205JJA | |
| 角度 (ANGLES) | 査閲 APPD. | 質量 (MASS) | |
| ±0.8 | 承認 APPD. | 図面番号 (DRAWING NO.) | |
| × ±0.4 | | SJ112925 | |
| ×× ±0.1 | | 版数 (REV.) | |
| ××× ± | | 1 | |

WISDOM承認 2012/06/06

DCF-C-212G (11.08)

SIZE A3