



Chipsmall Limited consists of a professional team with an average of over 10 year of expertise in the distribution of electronic components. Based in Hongkong, we have already established firm and mutual-benefit business relationships with customers from,Europe,America and south Asia,supplying obsolete and hard-to-find components to meet their specific needs.

With the principle of “Quality Parts,Customers Priority,Honest Operation,and Considerate Service”,our business mainly focus on the distribution of electronic components. Line cards we deal with include Microchip,ALPS,ROHM,Xilinx,Pulse,ON,Everlight and Freescale. Main products comprise IC,Modules,Potentiometer,IC Socket,Relay,Connector.Our parts cover such applications as commercial,industrial, and automotives areas.

We are looking forward to setting up business relationship with you and hope to provide you with the best service and solution. Let us make a better world for our industry!



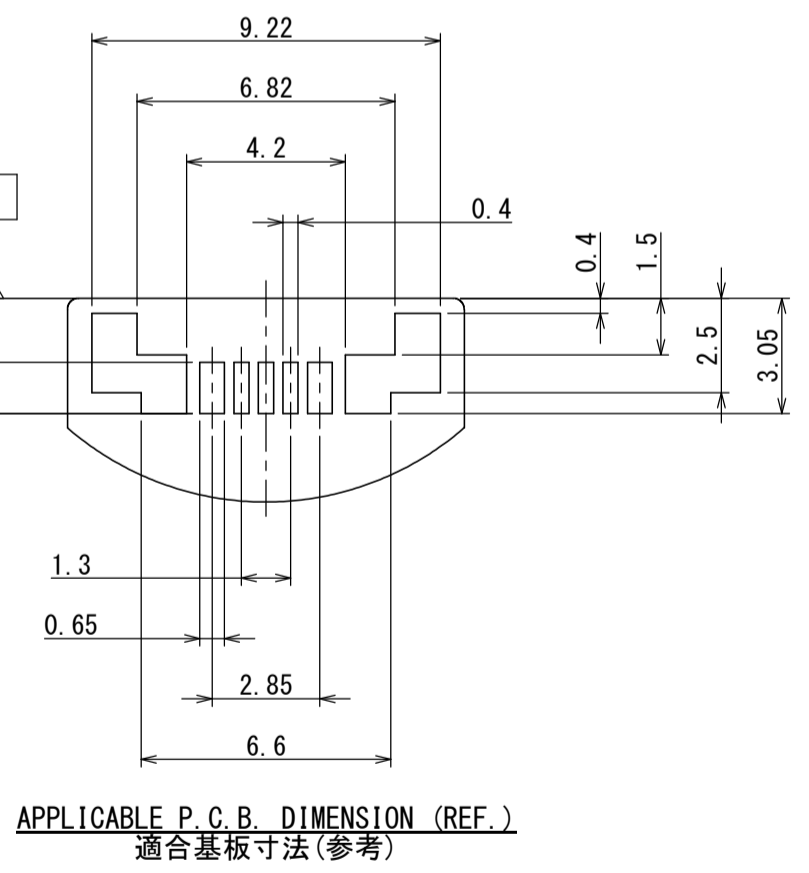
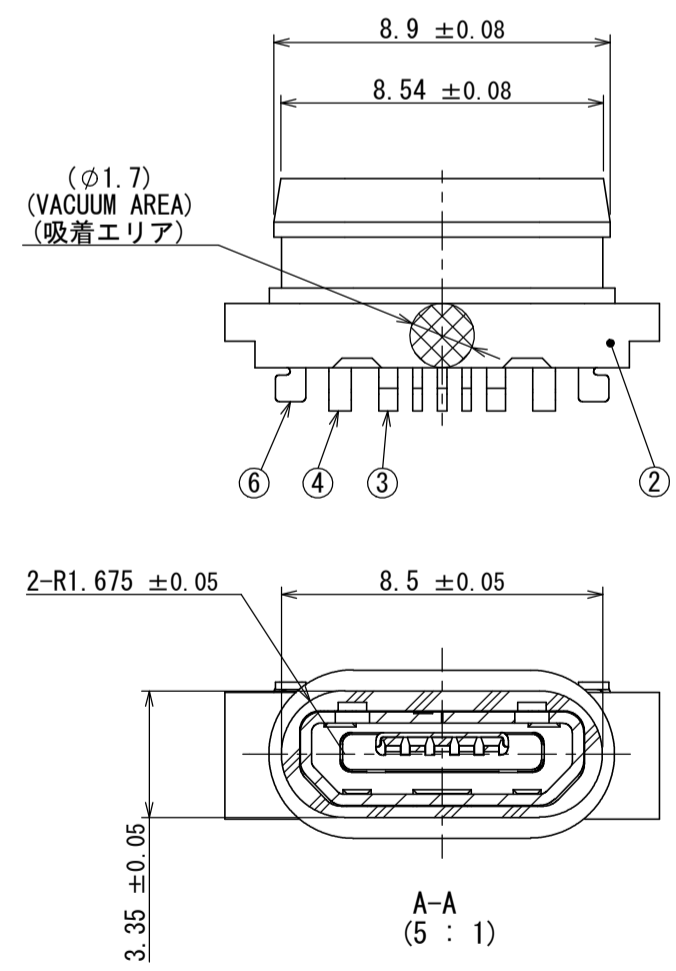
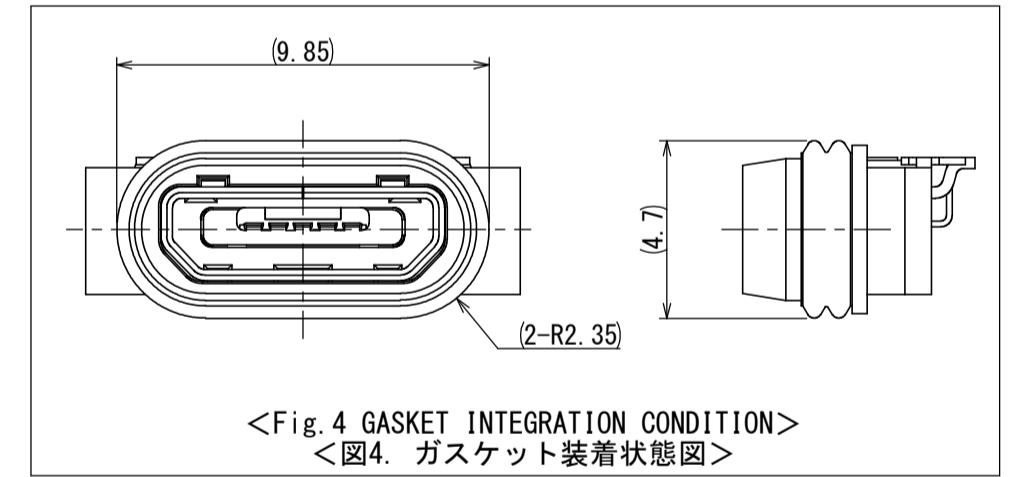
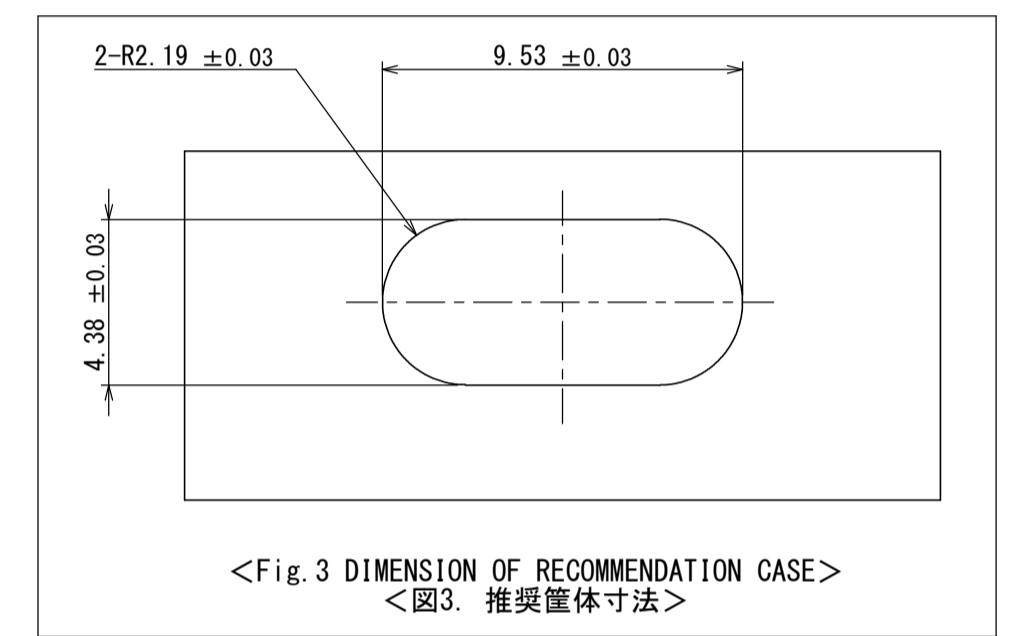
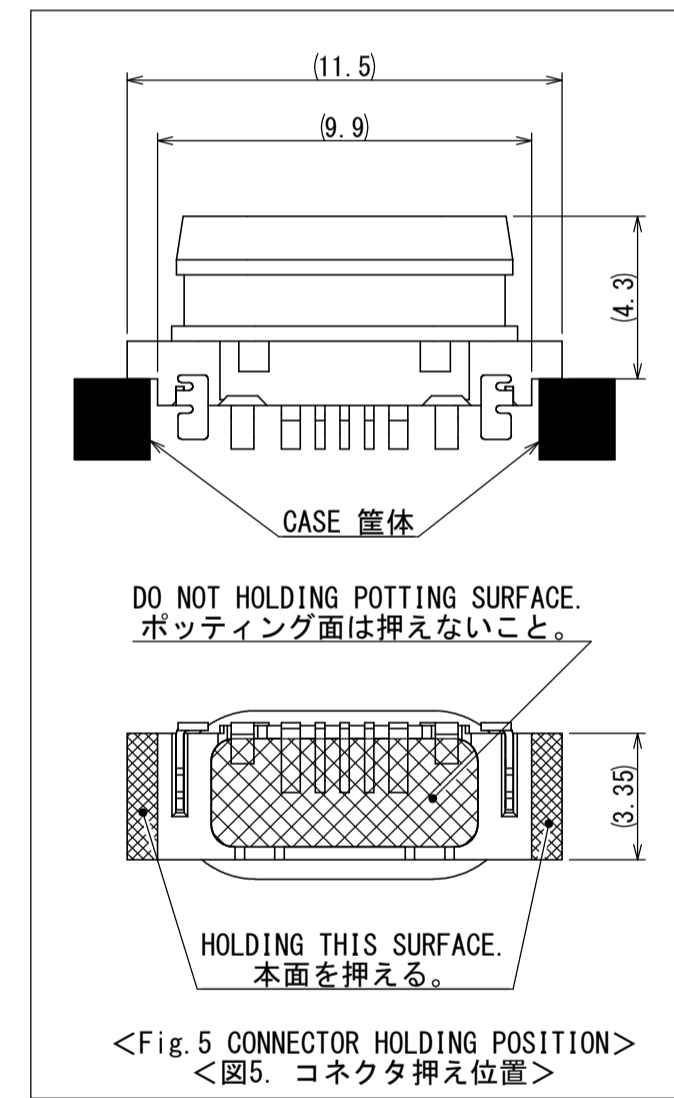
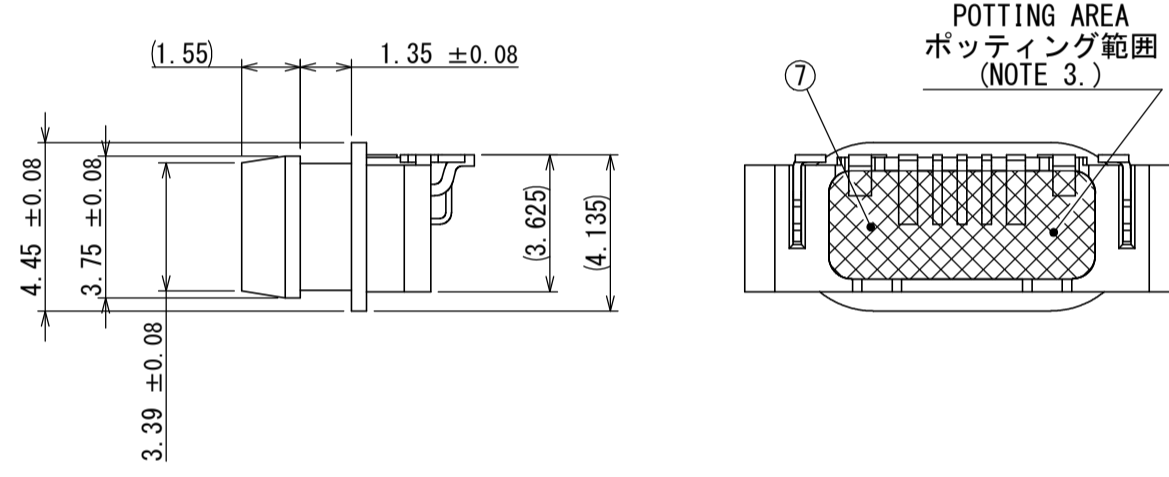
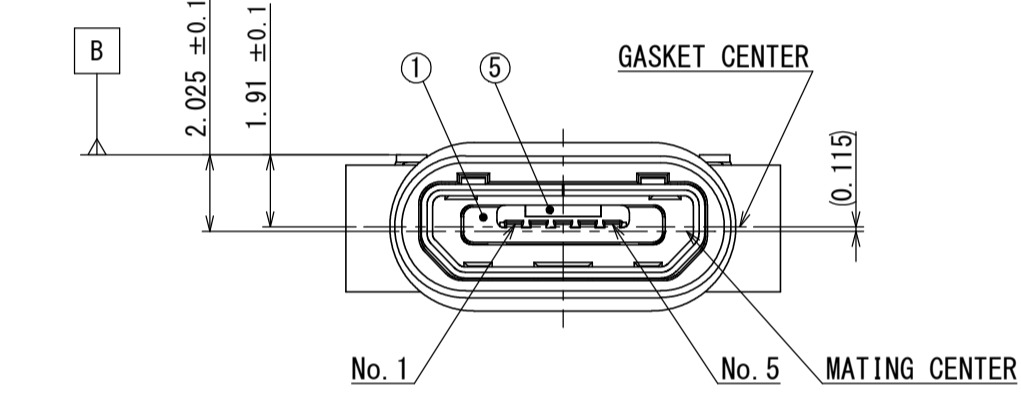
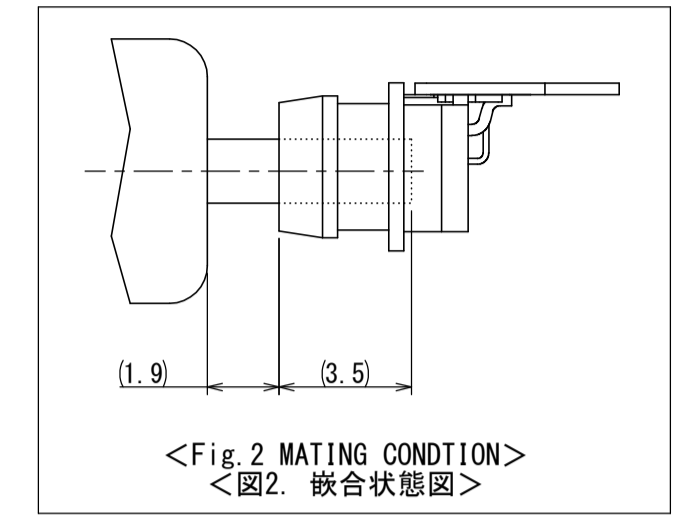
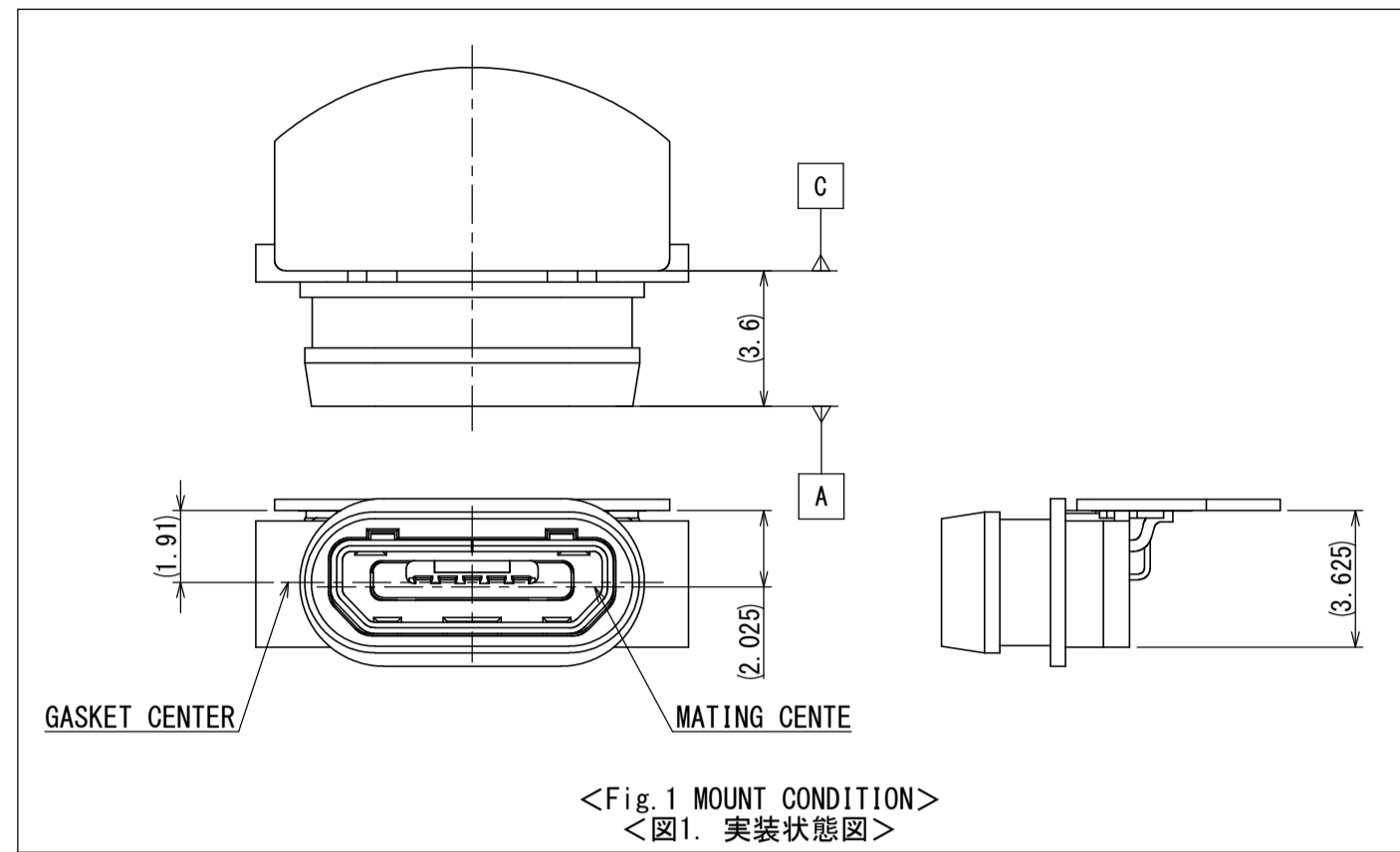
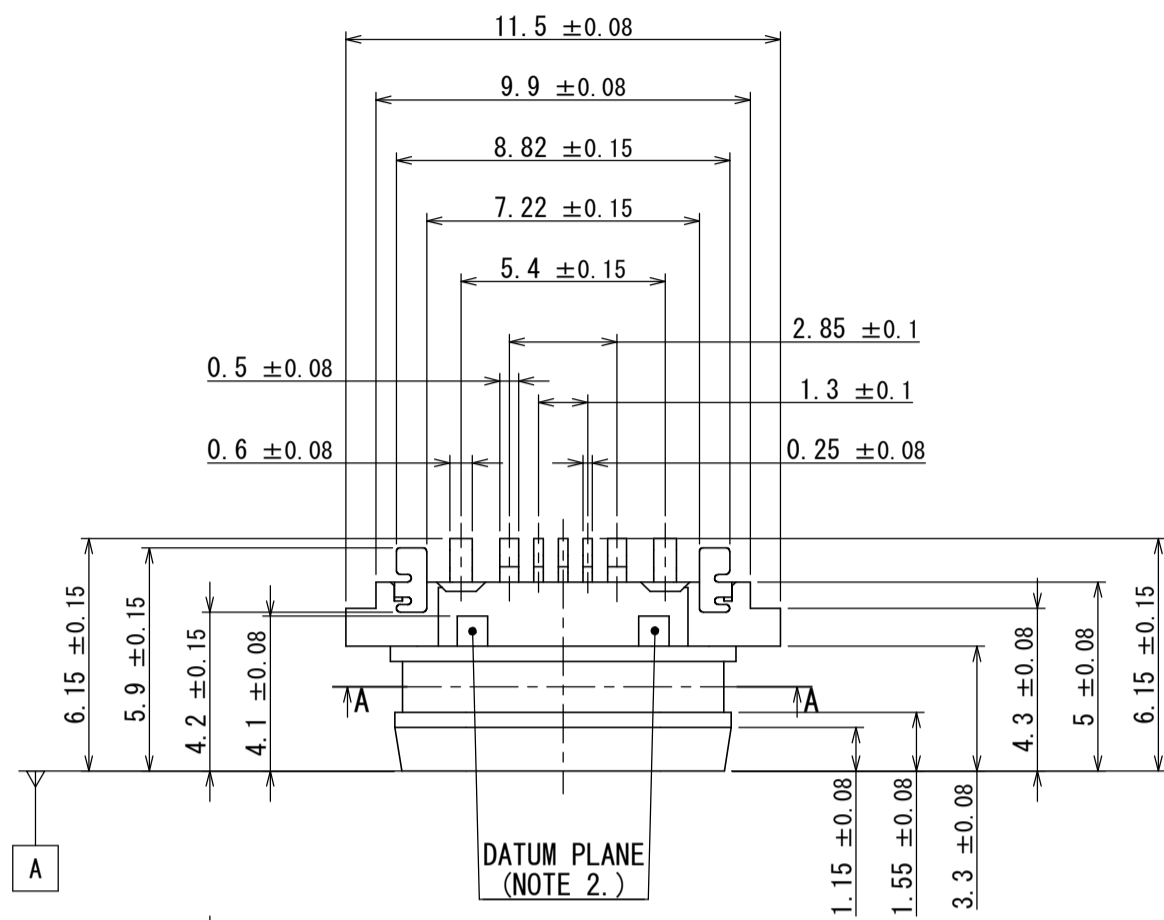
## Contact us

Tel: +86-755-8981 8866 Fax: +86-755-8427 6832

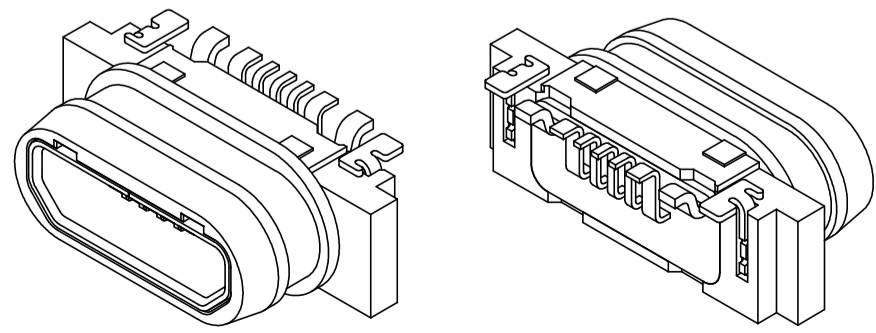
Email & Skype: info@chipsmall.com Web: www.chipsmall.com

Address: A1208, Overseas Decoration Building, #122 Zhenhua RD., Futian, Shenzhen, China





NOTE 1. COPLANARITY OF SMT TERMINAL IS 0.1MAX.  
 NOTE 2. THIS FACE IS DATUM PLANE.  
 NOTE 3. AMOUNT OF PROTRUSION TO POTTING IS 0.8 max. FROM INSULATOR-B REAR SURFACE.  
 NOTE 4. THIS CONNECTOR CONSISTS OF "Universal Serial Bus Micro-USB Cable and Connector Specification Revision 1.01"  
 注1. 本コネクタのSMT端子のバラツキ(1コネクタ内のMAX値とMIN値の差:コプラナリティ)は0.1以下とする。  
 注2. この面は基準面である。  
 注3. ポッティング部の突出量はインシュレータBの背面より0.8以下とする。  
 注4. 本コネクタの開口部寸法は、"Universal Serial Bus Micro-USB Cable and Connector Specification Revision 1.01"による。



符号 (NO.)	名称 (DESCRIPTION)	個数 (QTY.)	材料 (MATERIAL)	仕上 (FINISH)	備考 (REMARKS)
7	POTTING	1	TB-2234H	—	—
6	HOLD DOWN	1	COPPER ALLOY	TIN OVER NICKEL	t0.2
5	GUARD PLATE	1	STAINLESS STEEL	NICKEL	t0.12
4	SHELL	1	STAINLESS STEEL	BODY AREA : NICKEL SMT AREA : GOLD FLASH OVER Ni	t0.3
3	CONTACT	5	COPPER ALLOY	CONTACT AREA : GOLD OVER Pd-Ni SMT AREA : GOLD FLASH OVER Ni	GOLD PLATING : 0.05 μm MIN. Pd-Ni PLATING : 0.75 μm MIN. GOLD FLASH PLATING : 0.05~0.1 μm
2	INSULATOR-B	1	NYLON	—	COLOR : BLACK
1	INSULATOR-A	1	NYLON	—	COLOR : BLACK

仕様書 (SPECIFICATION) JACS-30315 JAHL-30310-1		第1版 (ORIGINAL DATE) 03/DEC/2012		尺度 (SCALE) 5 : 1	シリーズ (SERIES) DX4	日本航空電子工業株式会社
一般公差 (GENERAL TOLERANCE)		製図 (DR.)		名称 (TITLE) DX4RNW5HJ3		JAPAN AVIATION ELECTRONICS INDUSTRY, LTD. 図面番号 (DRAWING NO.) SJ114803
寸法 (DIMENSION):		担当 (CHK.) Y. SATOU		質量 (MASS)		
角度 (ANGLES):		査閲 (APPD.) M. NISHIKATA		承認 (APPD.) M. KIKUCHI		
単位 (UNIT): mm		承認 (APPD.) M. KIKUCHI		承認 (APPD.)		