



Chipsmall Limited consists of a professional team with an average of over 10 year of expertise in the distribution of electronic components. Based in Hongkong, we have already established firm and mutual-benefit business relationships with customers from,Europe,America and south Asia,supplying obsolete and hard-to-find components to meet their specific needs.

With the principle of “Quality Parts,Customers Priority,Honest Operation,and Considerate Service”,our business mainly focus on the distribution of electronic components. Line cards we deal with include Microchip,ALPS,ROHM,Xilinx,Pulse,ON,Everlight and Freescale. Main products comprise IC,Modules,Potentiometer,IC Socket,Relay,Connector.Our parts cover such applications as commercial,industrial, and automotives areas.

We are looking forward to setting up business relationship with you and hope to provide you with the best service and solution. Let us make a better world for our industry!



## Contact us

Tel: +86-755-8981 8866 Fax: +86-755-8427 6832

Email & Skype: info@chipsmall.com Web: www.chipsmall.com

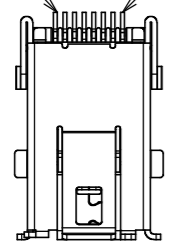
Address: A1208, Overseas Decoration Building, #122 Zhenhua RD., Futian, Shenzhen, China



SJ114928  
(DRAWING NO.)

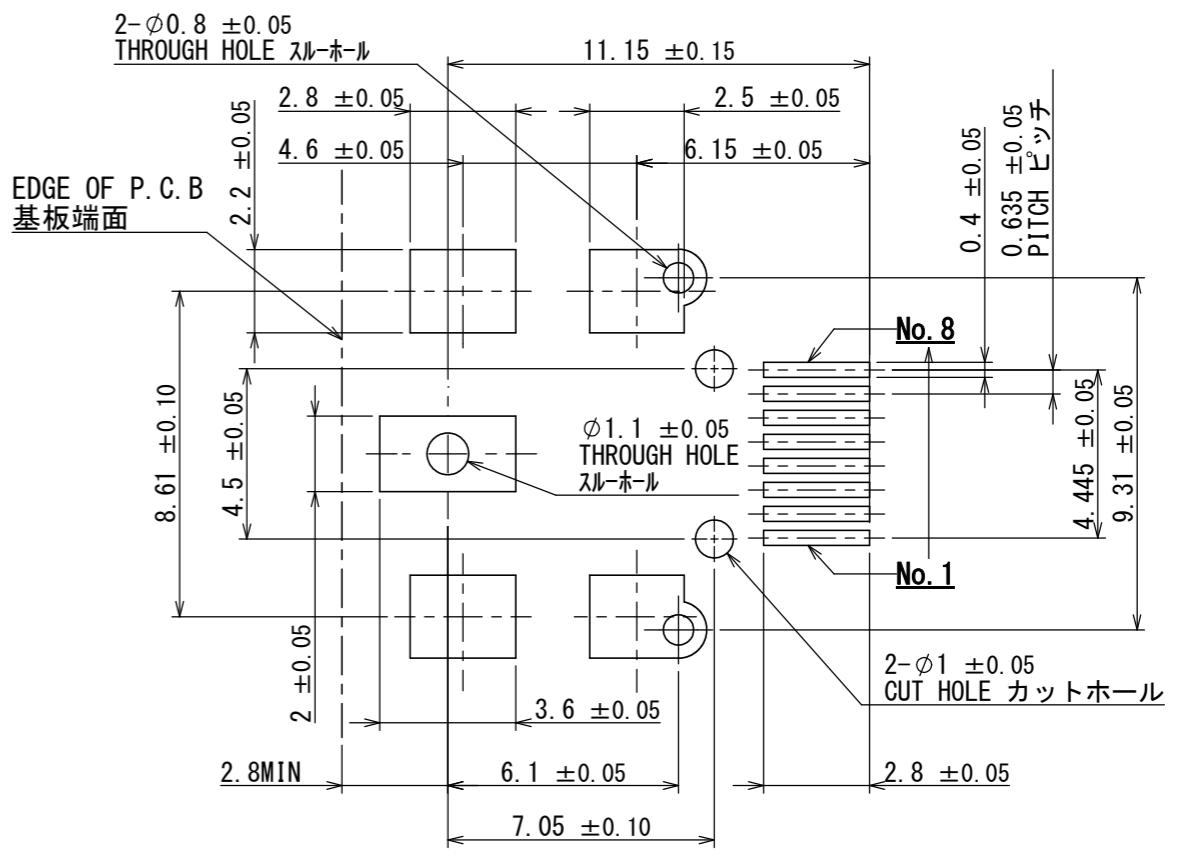
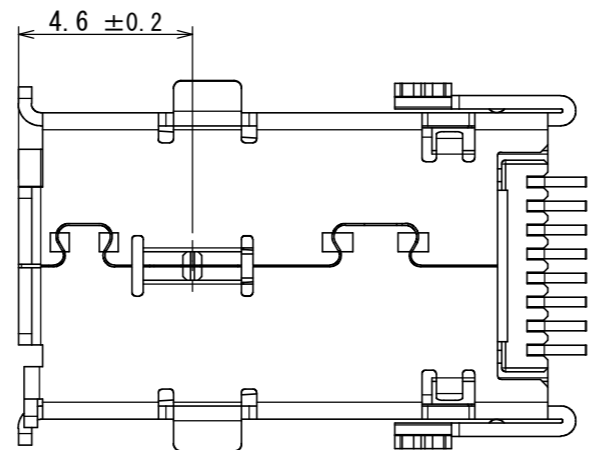
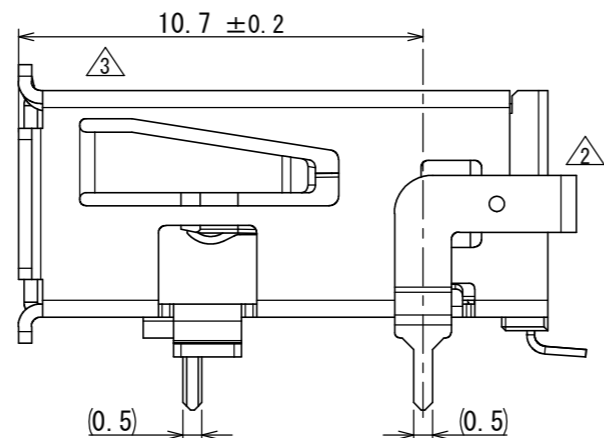
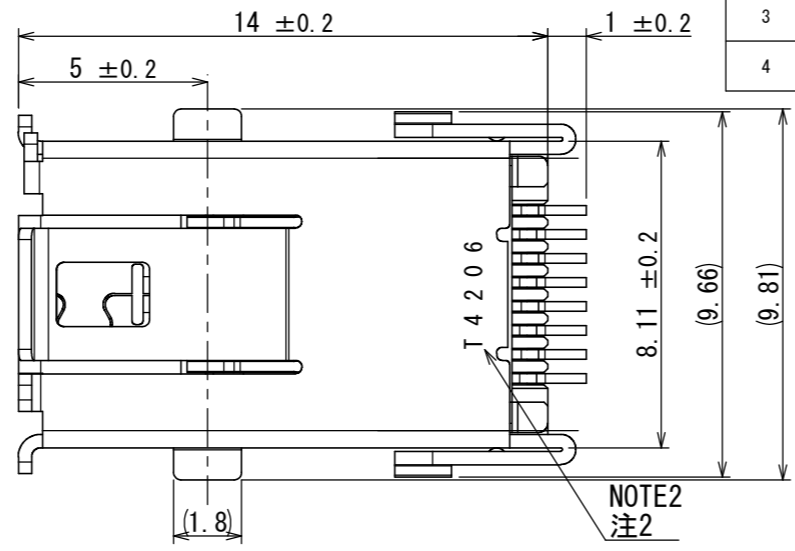
版数 VER.	年月日 DATE	CN NO.	変更内容 DESCRIPTION	製図 DR.	担当 CHK.	査閲 APPD.	承認 APPD.
2	11/APR/2014	009564	SHELL ADD DIMPLE. DRAWING FORMAT ADD SPECIFICATION.	—	M. TANAKA	O. TAKAGI	T. MIYASHITA
3	12/MAY/2014	009749	REVISED FORM	—	M. TANAKA	O. TAKAGI	T. MIYASHITA
4	03/OCT/2014	010509	ADD NOTE AND REVISED FORM	—	M. TANAKA	O. TAKAGI	T. MIYASHITA

No. 8 ← No. 1



8 6 4 2  
7 5 3 1

CIRCUIT No.  
回路番号

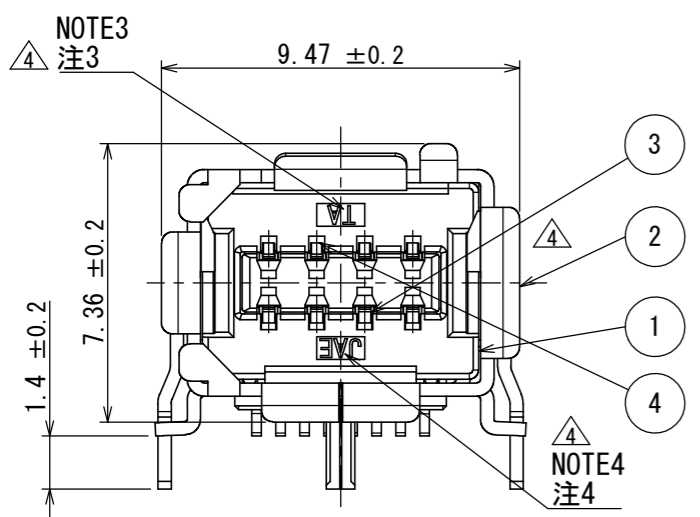


APPLICABLE P.C.B. DIMENSION (REF.)  
適合基板寸法 (参考)

TABLE1

PARTS 部品名	CONTACT1, CONTACT2
ALL SURFACE 全面	NICKEL PLATING (1.27 μm MIN) 下地Niめつき 1.27 μm以上
CONTACT AREA 接続部	GOLD PLATING (0.5 μm MIN) OVER NICKEL Ni上Au0.5 μm以上
SOLDERING AREA 半田付け部	GOLD FLASH OVER NICKEL Ni上Auフラッシュ

符号 NO.	名称 DESCRIPTION	個数 QTY.	材料 MATERIAL	仕上 FINISH	備考 REMARKS
4	CONTACT2	4	COPPER ALLOY	GOLD PLATING OVER NICKEL TABLE1	—
3	CONTACT1	4	COPPER ALLOY	GOLD PLATING OVER NICKEL TABLE1	—
2	SHELL	1	COPPER ALLOY	TIN PLATING OVER NICKEL	—
1	INSULATOR	1	GLASS FILLED PLASTIC	—	—



- NOTE1. COPLANARITY OF SMT TERMINAL IS 0.1MAX.  
NOTE2. PRODUCTION LOT NUMBER IS SHOWN AS INDICATED.  
NOTE3. THE CAVITY MARK ("TA" OR "TB") SHALL BE PROVIDED AT THE LOCATION SHOWN.  
NOTE4. COMPANY LOGO "JAE" ARE MARKED AS INDICATED.
- 注記1. SMT端子のコプラナリティは0.1以下とする。  
注記2. 図示の位置にロットNo.を表示する。  
注記3. 図示の位置にキャビマーク ("TA"及び"TB")をつける。  
注記4. 図示の位置に「社標」が表示される。

Lot NO. (Ex.)  
ロット NO. (例.)  
T 4 2 0 6  
Manufacture day.  
製造日  
Manufacture month. (JAN. TO SEP.: 1~9, OCT.: 0, NOV.: X, DEC.: Y)  
製造月 (1月~9月: 1~9, 10月: 0, 11月: X, 12月: Y)  
Manufacture year. (It is shown at A.D. 1 digit.)  
製造年 (西暦の下1桁で表示する。)  
Identification code (T: JAE Taiwan, Ltd)  
組立部門識別 (T: JAE Taiwan, Ltd)

仕様書 (SPECIFICATION) JACS-30337	第1版 (ORIGINAL DATE) 06/FEB/2014	尺度 (SCALE) 5:1	シリーズ (SERIES) DZ02	日本航空電子工業株式会社
一般公差 (GENERAL TOLERANCE) 寸法 (DIMENSION) °. ± × ±0.4 ×× ±0.1 ××× ±	角度 (ANGLES) ° ± ×° ±	製図 DR. —	名称 (TITLE) DZ02R008NC1	JAPAN AVIATION ELECTRONICS INDUSTRY, LTD.
	担当 CHK. M. TANAKA	製図 DR. —	質量 (MASS)	図面番号 (DRAWING NO.) SJ114928
	査閲 APPD. O. TAKAGI	承認 APPD. T. MIYASHITA		版数 (VER.) 4

WISDOM承認 2014/10/06

DCF-G-212H(12.08)