



Chipsmall Limited consists of a professional team with an average of over 10 year of expertise in the distribution of electronic components. Based in Hongkong, we have already established firm and mutual-benefit business relationships with customers from,Europe,America and south Asia,supplying obsolete and hard-to-find components to meet their specific needs.

With the principle of “Quality Parts,Customers Priority,Honest Operation,and Considerate Service”,our business mainly focus on the distribution of electronic components. Line cards we deal with include Microchip,ALPS,ROHM,Xilinx,Pulse,ON,Everlight and Freescale. Main products comprise IC,Modules,Potentiometer,IC Socket,Relay,Connector.Our parts cover such applications as commercial,industrial, and automotives areas.

We are looking forward to setting up business relationship with you and hope to provide you with the best service and solution. Let us make a better world for our industry!



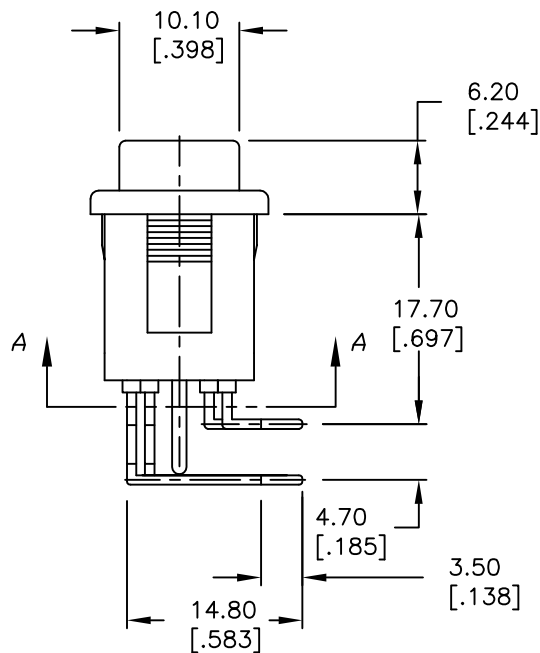
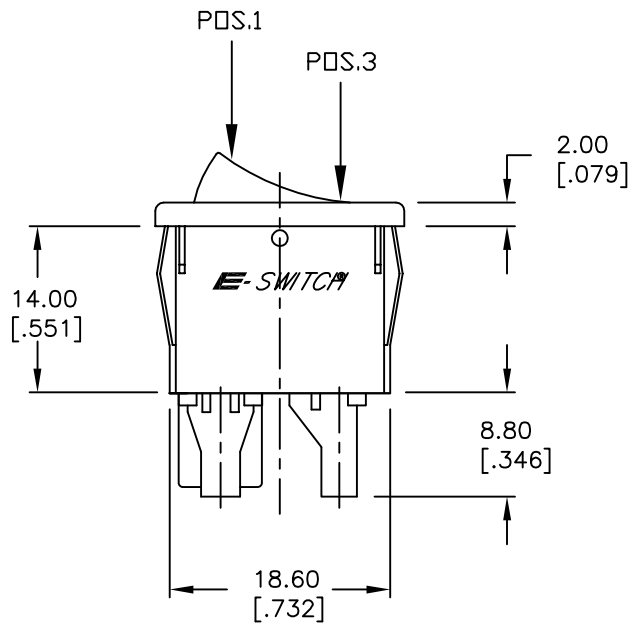
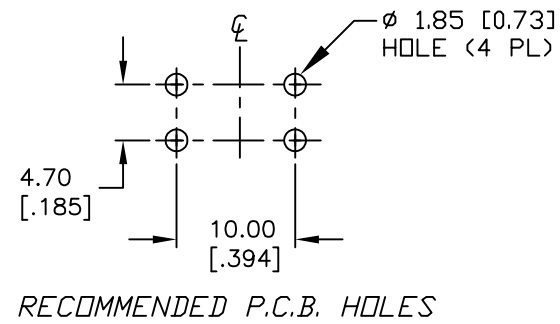
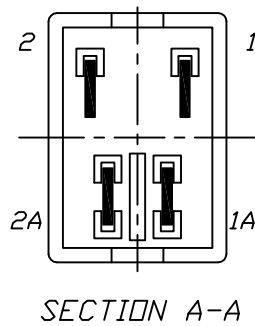
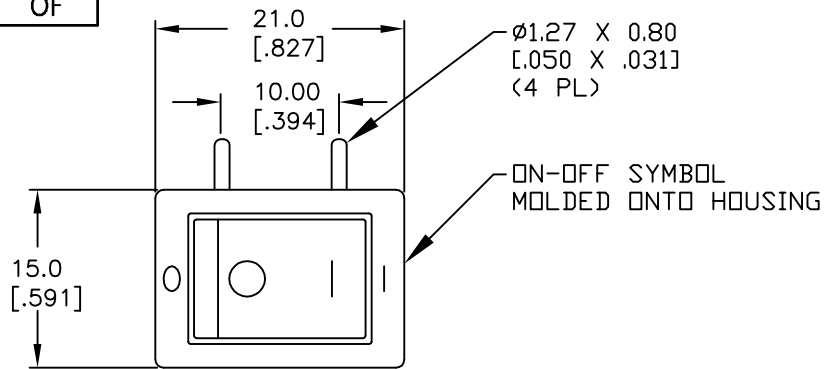
Contact us

Tel: +86-755-8981 8866 Fax: +86-755-8427 6832

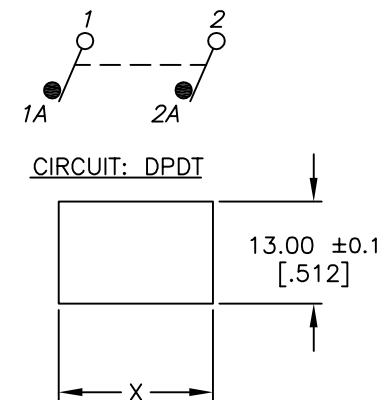
Email & Skype: info@chipsmall.com Web: www.chipsmall.com

Address: A1208, Overseas Decoration Building, #122 Zhenhua RD., Futian, Shenzhen, China





SWITCH FUNCTION		
POS. 1	POS. 2	POS. 3
OFF	NONE	ON
OPEN	N/A	1-1a, 2-2a



RECOMMENDED PANEL MOUNTING

PANEL THICKNESS	X
0.75-1.25 [0.030-.049]	19.2 [0.756]
1.25-2.0 [0.049-.079]	19.4 [0.764]
2.0-3.0 [0.079-.118]	19.8 [0.780]

NOTES:

- ALL DIMENSIONS IN MM [INCH]
- GENERAL TOLERANCE: X.X ± 0.4
X.XX ± 0.25
- RATING: 6A @250VAC; 9A @125VAC (UL, CSA, VDE)
- CONTACT RESISTANCE: 20mILLIOHMS TYP. INITIAL
- INSULATION RESISTANCE: 1000MegaOHMS
- DIELECTRICAL STRENGTHS 1500V RMS min. @SEA LEVEL
3000V RMS @SEA LEVEL
- MECHANICAL LIFE: 30,000 CYCLES.
- ELECTRICAL LIFE: 10,000 CYCLES.

E-SWITCH®

B	22571	ADDED SWITCH FUNCTION CHART	10/28/16	MJR
A	12260	RELEASED FOR PRODUCTION	6/24/02	CJB
REV.	ECN No.	DESCRIPTION	DATE	CHKD

TITLE				
R1973B BLK BLK GLD (Left Angle)				
SCALE	DATE	DR	DWG	REV
1.5:1	6/24/02	MM	M400061	B

THE INFORMATION CONTAINED IN THIS DOCUMENT IS PROPRIETARY TO E-SWITCH AND IS NOT TO BE COPIED OR TRANSFERRED