



Chipsmall Limited consists of a professional team with an average of over 10 year of expertise in the distribution of electronic components. Based in Hongkong, we have already established firm and mutual-benefit business relationships with customers from,Europe,America and south Asia,supplying obsolete and hard-to-find components to meet their specific needs.

With the principle of “Quality Parts,Customers Priority,Honest Operation,and Considerate Service”,our business mainly focus on the distribution of electronic components. Line cards we deal with include Microchip,ALPS,ROHM,Xilinx,Pulse,ON,Everlight and Freescale. Main products comprise IC,Modules,Potentiometer,IC Socket,Relay,Connector.Our parts cover such applications as commercial,industrial, and automotives areas.

We are looking forward to setting up business relationship with you and hope to provide you with the best service and solution. Let us make a better world for our industry!



Contact us

Tel: +86-755-8981 8866 Fax: +86-755-8427 6832

Email & Skype: info@chipsmall.com Web: www.chipsmall.com

Address: A1208, Overseas Decoration Building, #122 Zhenhua RD., Futian, Shenzhen, China



Description

The Smart Power Relay E-1048-8D is a remotely controllable electronic load disconnecting relay with two functions in a single unit:

- electronic relay
- electronic overcurrent protection

The 4 pin DICE version is designed for use with standard automotive relay sockets. A choice of current ratings is available from 1 A through 30 A. An operating voltage range of DC 9...32 V allows the connection of DC 12 V and DC 24 V loads.

In order to switch and protect loads remotely, it has until now been necessary to connect several discreet components together:

- an electro-mechanic relay, control cable and integral contact to close the load circuit
- an additional protective element (circuit breaker or fuse) for cable or equipment protection

Now type E-1048-8D combines these two functions in a single unit, thus minimising the number of connections in the circuit and thereby reducing the risk of failures.

Applications

Type E-1048-8D is suited to all applications with DC 12 V or DC 24 V circuits, where magnetic valves, motors or lamp loads have to be switched and protected:

- road vehicles (utility vehicles, buses, special vehicles)
- construction and agricultural machinery
- rail vehicles
- marine industry (ships, boats, yachts etc.)

The Power Relay is also suitable for industrial use (process control, machine-building, engineering) as an electronic coupling relay between PLC and DC 12 V or DC 24 V load

Features

- Integral power electronics provide a wear-resistant switching function, insensitive to shock, vibration and dust.
- Compared to electro-mechanical relays, only a fraction of the closed-circuit current or switching current is needed. This is important for battery buffered load circuits which have to remain controlled even with the generator off line.
- The extremely low induced current consumption of less than 50 µA is absolutely necessary for battery buffered applications.
- The load circuit is disconnected in the event of a short circuit (ENTRY version) or overload/short circuit (ENTRYprotect version).
- For switching and monitoring loads of 30 A plus it is possible to connect several units in parallel. Uniform power distribution between units must be ensured by symmetrical design of the supply cables (length and cross section).
- Coloured label, for the identification the rated current (e. g. red = 10 A).

Approvals

Authority	Approval mark	Regulation
KBA	E1	ECE R 10



E-1048-8D DICE version

Technical Data (T_A= 25 °C at U_N)

Power supply LINE +

Type	DC power supply with small R _i battery and generator etc.
Voltage ratings U _N	DC 12 V/DC 24 V
Operating voltage U _S	DC 9...32 V
Closed-circuit current I ₀ in the OFF condition ¹⁾	50 µA

Load circuit LOAD

Load output	Power MOSFET, High Side Switch (HSS)
Current rating range I _N	1 A ... 30 A (fixed ratings) without load reduction up to 85° C (1 A ... 25 A), 30 A up to 60 °C ambient temp.
Types of loads	resistive, inductive, capacitive, lamp loads, motors (depending on duration of inrush current)
ENTRY version	Load output with short circuit protection
ENTRYprotect version	Load output with short circuit and overload protection (typically 200 ms at I _{Load} typically 1.3 x I _N) I _N = 1 A...10 A: see trip curve 1 I _N = 15 A...30 A: see trip curve 2

Typical voltage drop U_{ON} at rated current I_N ¹⁾

I _N	U _{ON}	I _N	U _{ON}
1 A	50 mV	10 A	110 mV
2 A	55 mV	15 A	70 mV
3 A	60 mV	20 A	90 mV
5 A	80 mV	25 A	120 mV
7.5 A	90 mV	30 A	140 mV

only ENTRYprotect

Switching point ¹⁾	typically 1.3 x I _N (-40 °C...+85 °C: 1.1...1.5 x I _N)
Trip time (standard curve) ¹⁾	typically 200 ms with switch-on onto overload and/or load increase on duty
Max. overload	I _N = 1 A...10 A: 60 A (at L/R = 3 ms) I _N = 15 A...30 A: 200 A (at L/R = 3 ms)
Parallel connection of channels	for loads of 30 A plus, several units of identical current ratings may be connected in parallel. To ensure equal distribution of current between units, symmetrical design of the supply feed is necessary (length and cross section).

¹⁾ typically

Technical Data (T_A= 25 °C at U_N)

Free-wheeling diode for connected load	integral I _N = 1 A...10 A: max. 40 A I _N = 15 A...30 A: max. 100 A
Delay time ¹⁾	t _{on} 0.5 ms, t _{off} 1.5 ms
Short circuit, overload in load circuit	- disconnection of load - no automatic re-start - after remedy of the fault unit has to be reset via control input IN+
Control input IN+	
Control voltage IN+	0...5 V = "OFF", 8.5...32 V = "ON"
Control current I _E	typically 1 mA at 12 V / typically 5 mA at 24 V
Reset in the event of a failure	- via external control signal (low-high) at control input IN+ - via reset of supply voltage
Control input IN-	
Control voltage IN-	relay energised when IN- connected to ground; tolerance range 12 V system: 0...6 V = "ON" 8.5...12 V "OFF" tolerance range 24 V system: 0...18 V = "ON" 20.5...24 V "OFF"
Reset in the event of a failure	- resettable via external control signal (High-Low) at control input IN- - via reset of supply voltage
Control input IN+ / IN-	
Switching frequency at resistive or inductive load	max. 60 Hz
Edge of IN	< 5 ms
General data	
Reverse polarity protection	yes
Control circuit	yes
Load circuit	no (due to integral free-wheeling diode)
Temperature range	1 ...25 A: -40 ... +85 °C
ambient temperature	30 A: -40 ... + 60 °C without derating
Temperature shutdown	power transistor > 150 °C
Tests	
Humid heat	combined test, 9 cycles with functional test test to DIN EN 60068-2-30, Z/AD min. temperature -40 °C, max. temperature +90 °C test to DIN IEC 60068-2-14, Nb in operation, with temperature change 6 g eff. (10 Hz...2,000 Hz) test to DIN EN 60068-2-64 Vibration was tested with standard sockets for PCB mounting. Behaviour at vibrations depends on design, quality and age (number of push-in cycles) of the socket particularly regarding duration of the vibration and the mounting position.
Temperature change	
Vibration (random)	
Shock	25 g/11 ms, 10 shocks test to DIN EN 60068-2-27
Corrosion	test to DIN EN 60068-2-52, severity 3
Protection class	housing -8D4 IP30 to DIN 40050 housing -8D5 IP54 to DIN 40050, higher protection class upon request
EMC requirements	EMC directive: emitted interference EN 50081-1 noise immunity EN 61000-6-2 Automotive directive: emitted interference, noise immunity: 72/245/EWG and 2006/28/EG
Terminals	4 blade terminals 6.3 mm x 0.8 mm contact material CuZn37F44
Mounting:	on automotive relay socket 4-pole

¹⁾ typically

Technical Data (T_A= 25 °C at U_N)

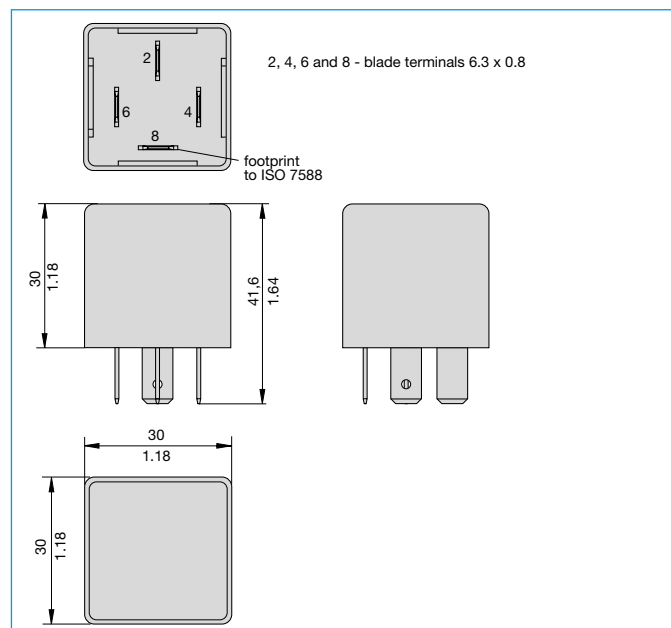
Housing	
dimensions	30 x 30 x 30 mm when plugged in 30 x 30 x 41.6 mm including terminals
Materials	housing PA66-GF30 base plate PA6-GF30
Mass	approx. 20 g (25 A and 30 A approx. 50 g)

Ordering Information

Type	Smart Power Relay DC 12 V/24 V, 1 A...30 A in DICE version
E-1048-8D	Smart Power Relay DC 12 V/24 V, 1 A...30 A in DICE version
Housing / temperature range	
4	with housing -40 °C...85 °C (for rated current up to 20 A)
5	with housing -40 °C ... 85 °C (60 °C at IN = 30 A) improved ambient req. (IP protection class etc.)
Control input	
C0	with control input (IN+ control 8.5...32 V)
C1	with control input (IN- control by connecting to ground)
C2	IN+ with increased control current (12.5 mA)
Options	
A0	without options
Characteristic curve	
0	ENTRY, short circuit protected
4	ENTRYprotect, 200 ms standard switch-off delay with overload, short circuit protected
Voltage rating	
U3	DC 12/24 V
Current ratings / colour of label	
1 A	black
2 A	grey
3 A	purple
5 A	light-brown
7.5 A	brown
10 A	red
15 A	blue
20 A	yellow
25 A	white
30 A	green

E-1048-8D 4 - C0 A0 - 0 U3 - 10 A ordering example: ENTRY version 4 pin

Dimensions DICE version (4 pin version)

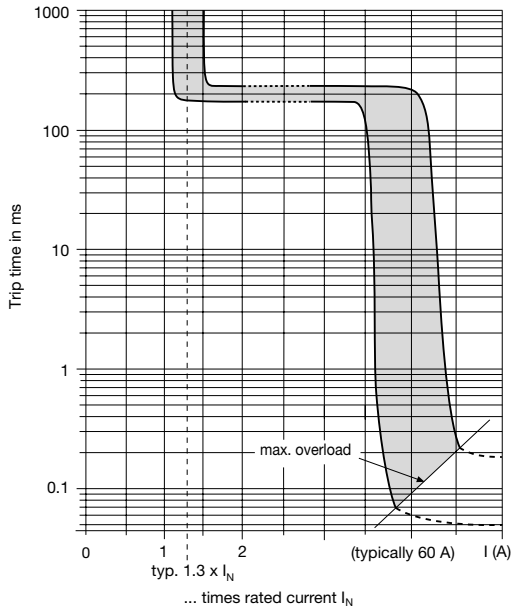


This is a metric design and millimeter dimensions take precedence ($\frac{\text{mm}}{\text{inch}}$)

Typical time/current characteristics ($T_A = 25\text{ }^\circ\text{C}$)

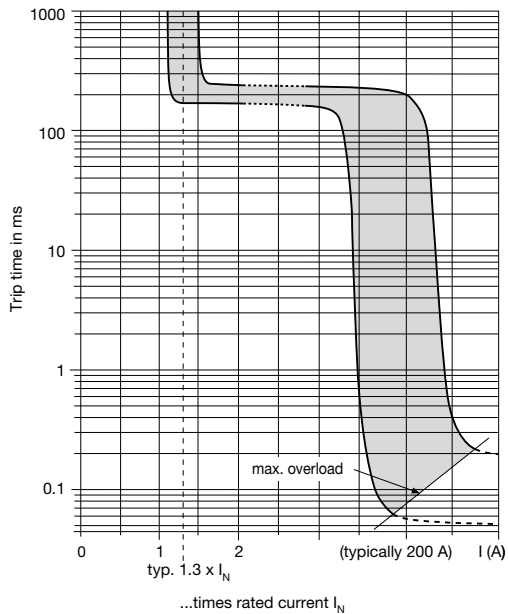
Trip curve 1 "ENTRYprotect"

1 A, 2 A, 3 A, 5 A, 7,5 A and 10 A (standard 200 ms)



Trip curve 2 "ENTRYprotect"

15 A, 20 A, 25 and 30 A (standard 200 ms)

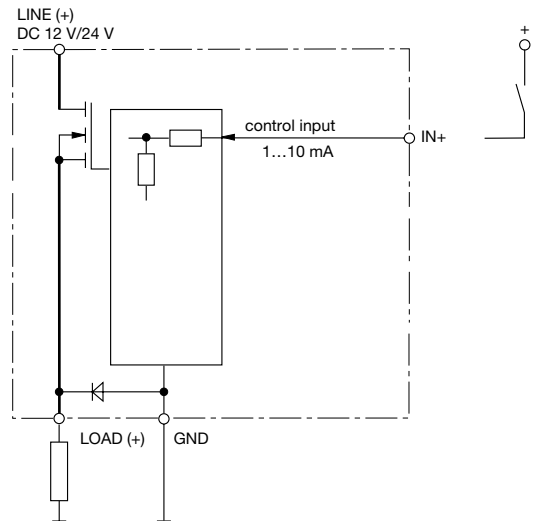


Preferred types

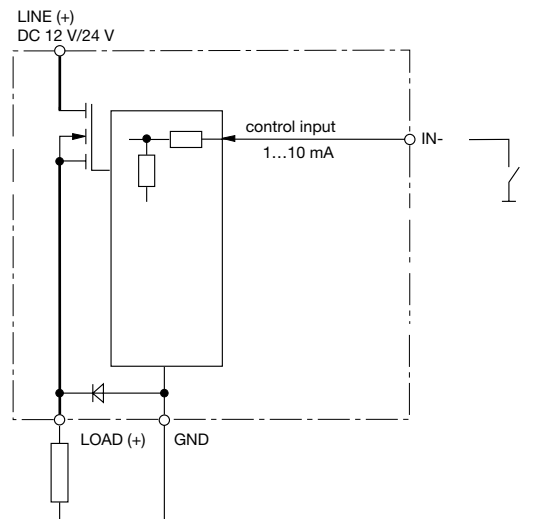
Preferred types	Standard current ratings (A)							
	1	2	3	5	7.5	10	15	20
E-1048-8D4-C0A0-4U3-	x	x	x	x	x	x	x	x

Connection diagrams DICE version

C0 Control Input IN+



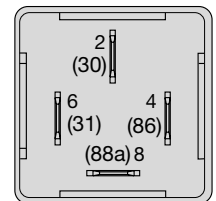
C1 (Control Input IN-)



Pin selection DICE version (4 pin)

E-1048-8D DICE version

LINE + (30)	1	2	U_S (DC 12 V/24 V)
IN (86)	3	4	control input
GND (31)	5	6	ground U_S
LOAD (88a)	7	8	load output



All dimensions without tolerances are for reference only. In the interest of improved design, performance and cost effectiveness the right to make changes in these specifications without notice is reserved. Product markings may not be exactly as the ordering codes. Errors and omissions excepted.

