



Chipsmall Limited consists of a professional team with an average of over 10 year of expertise in the distribution of electronic components. Based in Hongkong, we have already established firm and mutual-benefit business relationships with customers from,Europe,America and south Asia,supplying obsolete and hard-to-find components to meet their specific needs.

With the principle of “Quality Parts,Customers Priority,Honest Operation,and Considerate Service”,our business mainly focus on the distribution of electronic components. Line cards we deal with include Microchip,ALPS,ROHM,Xilinx,Pulse,ON,Everlight and Freescale. Main products comprise IC,Modules,Potentiometer,IC Socket,Relay,Connector.Our parts cover such applications as commercial,industrial, and automotives areas.

We are looking forward to setting up business relationship with you and hope to provide you with the best service and solution. Let us make a better world for our industry!



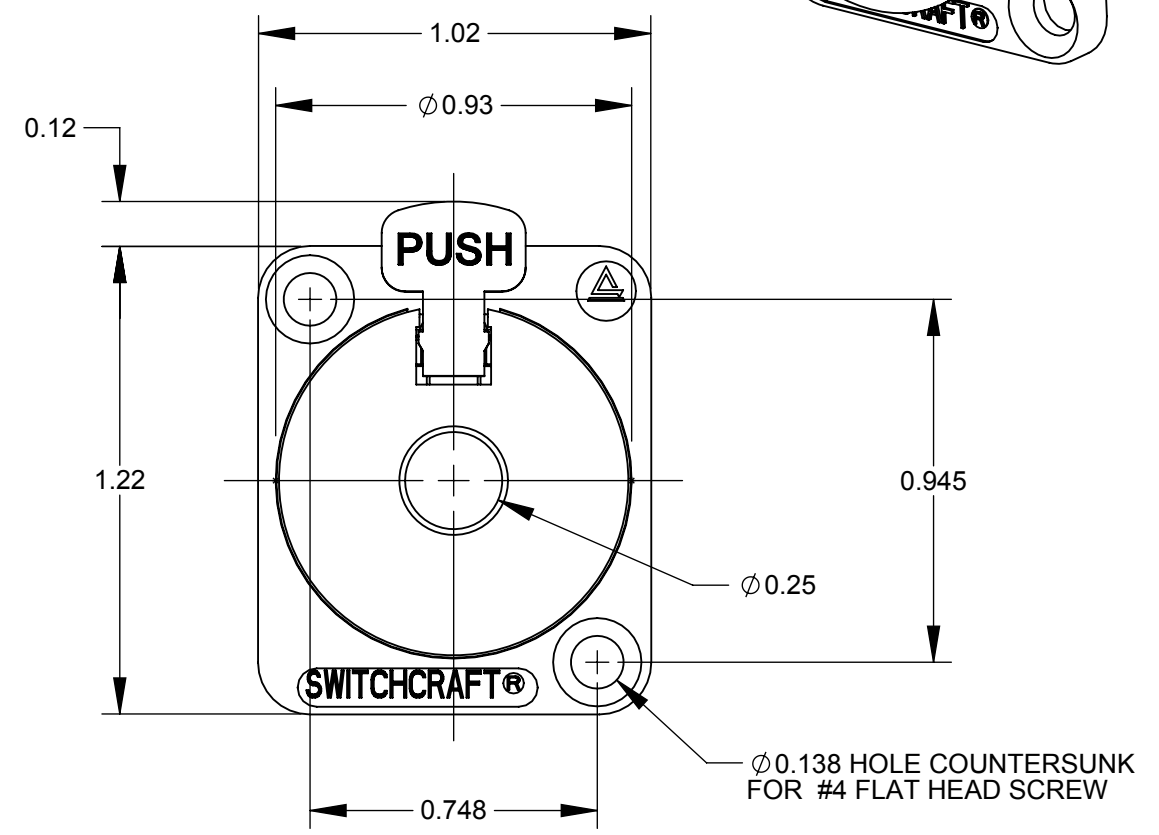
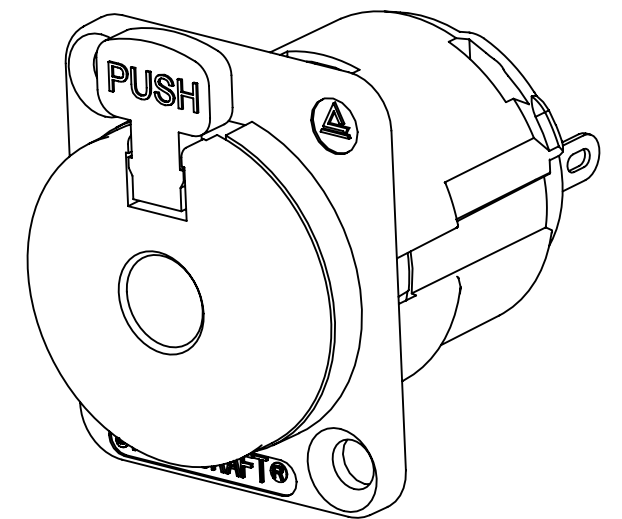
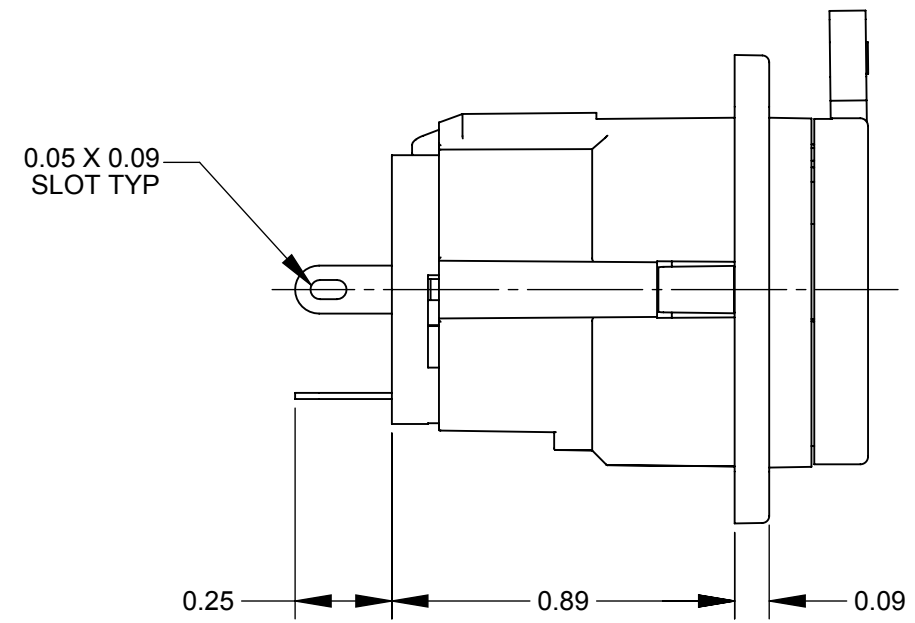
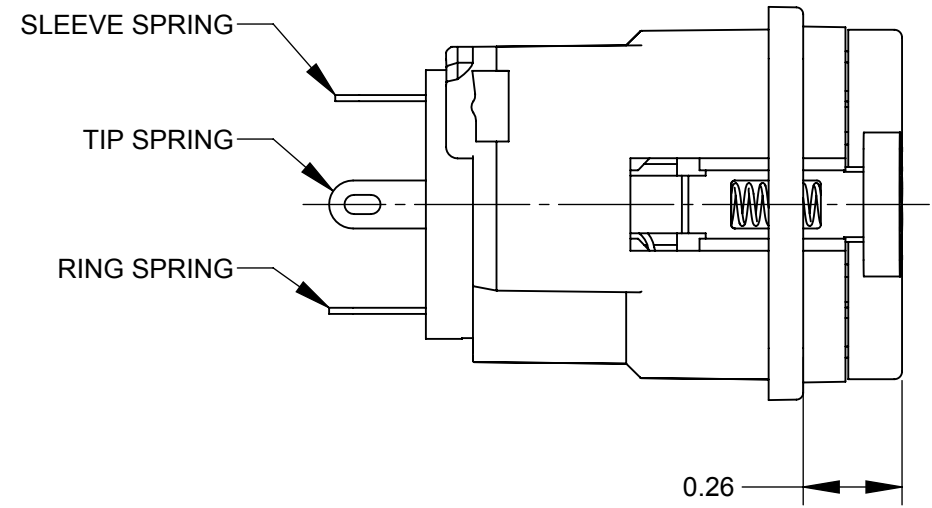
## Contact us

Tel: +86-755-8981 8866 Fax: +86-755-8427 6832

Email & Skype: info@chipsmall.com Web: www.chipsmall.com

Address: A1208, Overseas Decoration Building, #122 Zhenhua RD., Futian, Shenzhen, China





NOTES:

1. MATES WITH SWITCHCRAFT P/N 267 PLUG
2. MOUNTING HOLE:  $\phi 0.938$
3. MATERIALS:  
 HOUSING ZINC ALLOY, SATIN NICKEL PLATED  
 PLUG HOUSING - THERMOPLASTIC, BLACK  
 INTERNAL LATCH - THERMOPLASTIC, RED  
 LATCH RELEASE - ZINC ALLOY, NICKEL PLATED  
 TERMINALS / SPRINGS - NICKEL SILVER, ELECTRO-TIN PLATED  
 TORSION & RETURN SPRINGS - MUSIC WIRE, TINNED
4. THIS PRODUCT IS RoHS COMPLIANT.

**CUSTOMER DRAWING**

REV	ECO NUMBER	DATE	BY	APVD
B	18079	2/13/12	TJK	TJK
REVISIONS				

UNLESS OTHERWISE SPECIFIED

1. ALL DIMENSIONS IN INCHES  
 - TWO PLACE DECIMALS  $\pm 0.02$   
 - THREE PLACE DECIMALS  $\pm 0.005$

**DO NOT SCALE DRAWING**

THIS DRAWING DESCRIBES A DESIGN CONSIDERED PROPRIETARY IN NATURE, DEVELOPED AND MANUFACTURED BY SWITCHCRAFT INC. AND IS RELEASED ON A CONFIDENTIAL BASIS FOR IDENTIFICATION PURPOSES ONLY.									
SIZE *	WIDTH *	MULT *	LBS/M *	TEMPER *					
FINISH *					MATERIAL *				
SPEC No. *					SPEC No. *				
FIRST USED ON *			SCALE 2:1		<b>Switchcraft</b> <sup>®</sup>				
DATE DRAWN	BY	CHKD	APVD						
2/13/12	TJK	TJK	TJK		SHEET 1 OF 1				
NAME "E" SERIES - $\phi 0.25$			PART No.		REV				
3 CONDUCTOR LOCKING JACK, RoHS			E112BL		B				