



Chipsmall Limited consists of a professional team with an average of over 10 year of expertise in the distribution of electronic components. Based in Hongkong, we have already established firm and mutual-benefit business relationships with customers from,Europe,America and south Asia,supplying obsolete and hard-to-find components to meet their specific needs.

With the principle of "Quality Parts,Customers Priority,Honest Operation,and Considerate Service",our business mainly focus on the distribution of electronic components. Line cards we deal with include Microchip,ALPS,ROHM,Xilinx,Pulse,ON,Everlight and Freescale. Main products comprise IC,Modules,Potentiometer,IC Socket,Relay,Connector.Our parts cover such applications as commercial,industrial, and automotives areas.

We are looking forward to setting up business relationship with you and hope to provide you with the best service and solution. Let us make a better world for our industry!



## Contact us

Tel: +86-755-8981 8866 Fax: +86-755-8427 6832

Email & Skype: info@chipsmall.com Web: www.chipsmall.com

Address: A1208, Overseas Decoration Building, #122 Zhenhua RD., Futian, Shenzhen, China



# Rectangular 10 Turn Dial (3 Digit), (4 Digit) 100 Turn



## FEATURES

- Rectangular Digital Scale
- 1" Wide
- 1/4" or 1/8" Shaft Adapter
- Open or Clear Plastic Window Bezel
- Black Anodize Finish with Standard or White Bezel Trim
- Satin Clear Anodize Finish

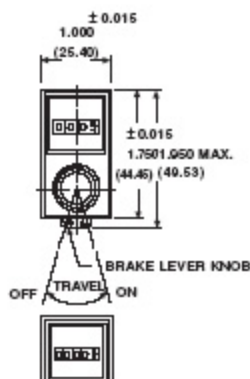
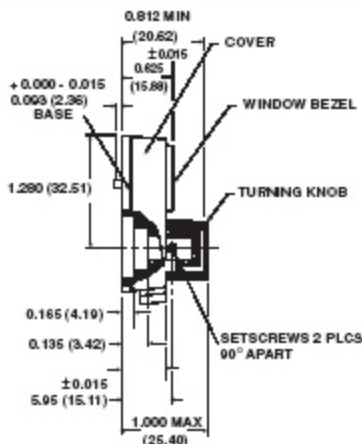
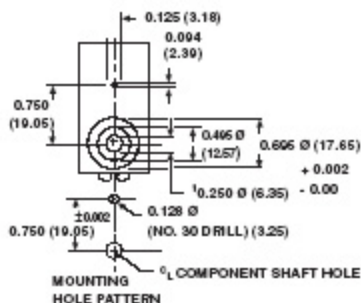
## MECHANICAL SPECIFICATIONS

PARAMETER	
Numerals	The numerals shall be white on a black background and 0.130 Inches H (3.30cm)
Mounting	The spring detented knob shall be removed using a straight pull, exposing two No. 4-40 hex socket set screws for mounting the dial directly to the component shaft
Weight	1.6 oz (45.36gm)

## OPERATIONAL SPECIFICATIONS

Operation 3 Digit (10 Turn) Left digit Right two digits	Complete revolutions of tuning knob Percent of revolution The unit registers a total count of 999
Operation 4 Digit (100 turn) Left two digits Right two digits	Complete revolutions of tuning knob Percent of revolution The unit registers a total count of 9999
Rotation	The indication shall increase with clockwise rotation of the turning knob
Accuracy	Graduation lines adjacent to the numerals on the right digit wheel indicate settings of 0.2% of a revolution of the turning knob
Phasing	Dial phased by rotating the exposed component shaft to correspond with the desired reading on the dial prior to tightening the set screws

## DIMENSIONS in inches (millimeters)



## ORDERING INFORMATION

15 MODEL	1 SHAFT DIAMETER AND NUMERICAL DISPLAY	1 BEZEL	1 FINISH
Example: 15 - 1 - 1 - 1	1. 1/4" Dia. 3 digit 2. 1/4" Dia. 4 digit 3. 1/8" Dia. 3 digit 4. 1/8" Dia. 4 digit	1. Open 3. Clear plastic window	1. Satin clear anodize 3. Black anodize, white bezel trim 5. Black anodize