



Chipsmall Limited consists of a professional team with an average of over 10 year of expertise in the distribution of electronic components. Based in Hongkong, we have already established firm and mutual-benefit business relationships with customers from,Europe,America and south Asia,supplying obsolete and hard-to-find components to meet their specific needs.

With the principle of “Quality Parts,Customers Priority,Honest Operation,and Considerate Service”,our business mainly focus on the distribution of electronic components. Line cards we deal with include Microchip,ALPS,ROHM,Xilinx,Pulse,ON,Everlight and Freescale. Main products comprise IC,Modules,Potentiometer,IC Socket,Relay,Connector.Our parts cover such applications as commercial,industrial, and automotives areas.

We are looking forward to setting up business relationship with you and hope to provide you with the best service and solution. Let us make a better world for our industry!



Contact us

Tel: +86-755-8981 8866 Fax: +86-755-8427 6832

Email & Skype: info@chipsmall.com Web: www.chipsmall.com

Address: A1208, Overseas Decoration Building, #122 Zhenhua RD., Futian, Shenzhen, China



Product Specifications

Customer	Standard
Description	2.15" TFT EPD Panel
Model Name	E2215CS062
Date	2016/ 08/ 23
Doc. No.	1P108-00
Revision	03

Customer Approval	
Date	
The above signature represents that the product specifications, testing regulation, and warranty in the specifications are accepted	

	Design Engineering		
	Approval	Check	Design

4F, No.28, Chuangye Rd., Tainan Science Park, Tainan City 74144, Taiwan (R.O.C.)

Tel: + 886-6-279-5399

Fax: + 886-6-505-5300

Copyright

Pervasive Displays Incorporated All rights reserved.

This document is the exclusive property of Pervasive Displays Inc. (PDI) and shall not be reproduced or copied or transformed to any other format without prior permission of PDI. (PDI Confidential)

本資料為龍亭新技股份有限公司專有之財產，非經許可，不得複製、翻印或轉變成其他形式使用。

龍亭新技股份有限公司 Pervasive Displays Inc.

4F, No.28, Chuangye Rd., Tainan Science Park, Tainan City 74144, Taiwan (R.O.C.)

Tel: + 886-6-279-5399

<http://www.pervasivedisplays.com>

Table of Contents

Revision History	6
Glossary of Acronyms	7
1 General Description	8
1.1 Overview	8
1.2 Features	8
1.3 Applications	8
1.4 General Specifications	9
1.5 Mechanical Specifications	10
2 Absolute Maximum Ratings	12
2.1 Absolute Ratings of Environment	12
2.2 Reliability Test Item	13
2.3 Product Lifetime	13
2.4 Product Warranty	13
3 Electrical Characteristics	14
3.1 Absolute Maximum Ratings of Panel	14
3.2 Recommended Operation Conditions of Panel	14
4 Application Circuit Block Diagram	16
5 Terminal Pin Assignment & Reference Circuit	17
5.1 Terminal Pin Assignment	17
5.2 Reference Circuit	19
6 Optical Characteristics	20
6.1 Measurement Conditions	20
6.2 Optical Specifications	20
6.2.1 Optical	20
6.2.2 Ghosting	23
7 Packing	24
8 Precautions	26
9 Definition of Labels	28

List of Figures

Figure 1-1 EPD Drawing..... 11

Figure 3-1 Test Pattern of Panel 15

Figure 3-2 Image Update Current Profile..... 15

Figure 3-3 Current Measurement 15

Figure 4-1 Application Circuit Block Diagram 16

Figure 5-1 EPD Reference Circuit 19

Figure 6-1 Optical measurement..... 21

Figure 6-2 Definition of Viewing Angle to Measure Contrast Ratio..... 22

Figure 7-1 Packing Diagram 24

Figure 9-1 Model Label 28

Figure 9-2 Definition of Model Label 28

Figure 9-3 Carton Label..... 29

Figure 9-4 Pallet Label..... 29

List of Tables

Table 1-1 General Specification 9

Table 1-2 Mechanical Specification 10

Table 1-3 FPC Specification 10

Table 2-1 Absolute Ratings of Environment 12

Table 2-2 Reliability Test Items 13

Table 3-1 Absolute Maximum Ratings of Panel 14

Table 3-2 DC Characteristics of Panel..... 14

Table 5-1 Terminal Pin Assignment 17

Table 6-1 Optical Measurement Conditions 20

Table 6-2 Optical Measurement with D65 Light Source..... 20

Table 6-3 Measurement of Ghosting 23

Revision History

Version	Date	Page (New)	Section	Description
01	2015/08/07	All	All	Specification first issued.
02	2016/03/16	9	1.4	Modify Pixel Pitch
		11	1.5	Update Figure 1-1 EPD drawing
		17, 18	5.1	Update Table 5-1 Terminal Pin Assignment
		19	5.2	Update Figure 5-1 Reference Circuit
		24, 25	7	Update Figure 7-1 Modify carton label location & Pallet package way
		29	9	Update Figure 9- 3 Carton Label
03	2016/08/23	10	1.5	Modify Table 1-2
		11	1.5	Modify Figure 1-1
		12	2.1	Modify Ratings of Environment
		13	2.2	Modify test condition
			2.3, 2.4	Add 2.3 Product Lifetime and 2.4 Product Warranty
		17, 18	5.1	Modify Table 5-1 Pin Assignment
		19	5.2	Modify Reference Circuit
		20, 23	6.2	Modify Optical spec
26	8	Add Precaution (16)		

Glossary of Acronyms

COG	Chip on Glass
EPD	Electrophoretic Display (e-Paper Display)
EPD Panel	EPD
EPD Module	EPD with TCon board
FPC	Flexible Printed Circuit
FPL	Front Plane Laminate
IIS	Incoming Inspection Standard
ISTA	International Safe Transit Association
MCU	Microcontroller Unit
PDI	Pervasive Displays Incorporated
SPI	Serial Peripheral Interface
TCon	Timing Controller
TFT	Thin Film Transistor

1 General Description

1.1 Overview

This is a 2.15" a-Si, active matrix TFT, Electronic Paper Display (EPD) panel. The panel has such high resolution (110 dpi) that it is able to easily display fine patterns. Due to its bi-stable nature, the EPD panel requires very little power to update and needs no power to maintain an image.

1.2 Features

- a-Si TFT active matrix Electronic Paper Display (EPD)
- Resolution: 208 x 112
- Ultra low power consumption
- Super Wide Viewing Angle - near 180°
- Extra thin & light
- SPI interface
- RoHS compliant

1.3 Applications

- Electronic shelf label (ESL)
- Reusable container
- Badge

1.4 General Specifications

Table 1-1 General Specification

Item	Specification	Unit	Note
Outline Dimension	59.2(H) x 32.2(V) x 1.0(T)	mm	(1)
Active Area	48.05(H) x 25.87 (V)	mm	
Driver Element	a-Si TFT active matrix	-	
FPL	Aurora Mb	-	
Pixel Number	208 x 112	pixel	
Pixel Pitch	0.231 x 0.231 (110 dpi)	mm	
Pixel Arrangement	Vertical stripe	-	
Display Colors	Black/White	-	
Surface Treatment	Anti-Glare	-	

Note (1): Not including FPC.

1.5 Mechanical Specifications

Table 1-2 Mechanical Specification

Item		Min.	Typ.	Max.	Unit	Note
Glass Size	Horizontal(H)	58.9	59.2	59.5	mm	
	Vertical(V)	31.9	32.2	32.5	mm	
	Thickness(T)	0.9	1.0	1.1	mm	(1)
Weight			3.3	4.0	g	

Note (1): Not including the Masking Film.

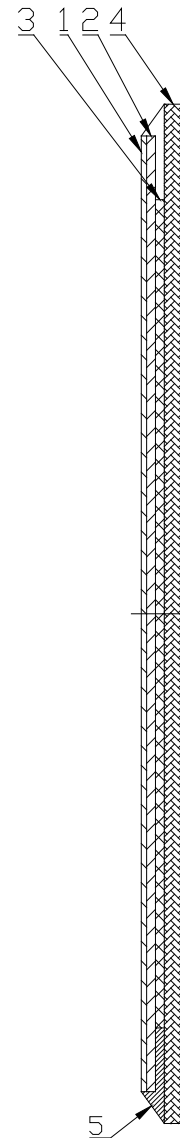
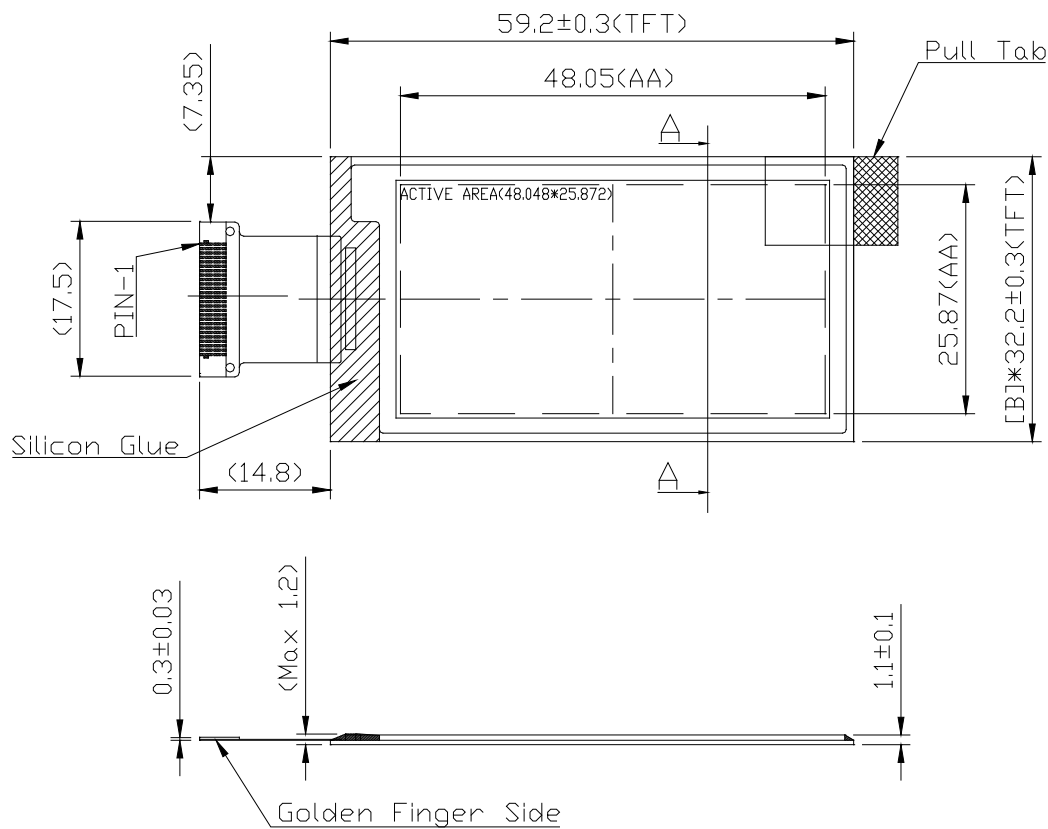
Table 1-3 FPC Specification

Item	Number of Pins	Pitch (mm)	Connector	Note
Golden Finger	26	0.5	HRS FH34SRJ 34S or STARCONN 6700S34 or Compatible	

Note (1): HRS FH34SRJ 34S and STARCONN 6700S34 are 34-pins connectors. The middle 26 pins are used to connect FPC pads of EPD. The other 8 pins are used as dummy pins. Please refer PDI demo kit for detailed connection.

Figure 1-1 EPD Drawing

NO.	DESCRIPTION
1	Masking Film
2	Protective Sheet
3	ePaper Film
4	TFT Plate
5	EC Seal



General tolerance: ± 0.3 mm

2 Absolute Maximum Ratings

2.1 Absolute Ratings of Environment

Table 2-1 Absolute Ratings of Environment

Item	Symbol	Value		Unit	Note
		Min.	Max.		
Storage Temperature	T _{ST}	-20	+ 60	°C	(1),(3)
Storage Humidity	H _{ST}	30	90	%RH	(1),(3)
Operating Ambient Temperature	T _{OP}	0	+ 50	°C	(1),(2),(4)
Operating Ambient Humidity	H _{OP}	30	90	%RH	(1),(2),(4)
Optimal Storage Temperature	T _{STo}	-10	35	°C	(1),(3)
Optimal Storage Humidity	H _{STo}	40	60	%RH	(1),(3)

Note (1):

- (a) 90 %RH Max. ($T_a \leq 40$ °C), where T_a is ambient temperature.
- (b) Wet-bulb temperature should be 39 °C Max. ($T_a > 40$ °C).
- (c) No condensation and no frost in absolute ratings of Environment.

Note (2): The temperature of panel display surface area should be 0 °C Min. and 50 °C Max. Refresh time depends on operation temperature.

Note (3): E Ink Material is Moisture and UV sensitive. The absolute rating operating environments describes the boundary conditions for updating the display while the absolute rating storage environment describe the boundary conditions for a display not updating. While displays are rated to perform according to specification for the warranty period at the absolute specified operating environment, the better the storage condition, the better the E Ink displays will perform. Similar to other moisture and UV sensitive components, we recommend that our displays be stored in temperature and humidity control environments, and whenever possible, under above defined Optimal Storage Condition, away from sunlight, to optimize their performance.

Note (4): The performance of EPD may be degraded under sunlight. Please customer consults PDI if customer wants to use EPD under sunlight.

2.2 Reliability Test Item

Table 2-2 Reliability Test Items

Item	Test Condition	Remark
High Temperature Operation	50 °C / 30% RH for 240h	(1) (2)
Low Temperature Operation	0 °C for 240h	(1) (2)
High Temperature/Humidity Operation	40 °C / 90 % RH for 240h	(1) (2)
High Temperature Storage	60 °C / 30% RH for 240h	(1) (2)(3)
Low Temperature Storage	-20 °C for 240h	(1) (2) (3)
High Temperature/Humidity Storage	60 °C / 80 % RH for 240h	(1) (2) (3)
Thermal Cycles (Non-operation)	1 Cycle: -20°C/30min → 60°C/30min, for 100 Cycles	(1) (2) (3)
Package Drop Test	Drop from 97cm. (ISTA) 1 corner, 3 edges, 6 sides. One drop for each.	(1) (2) (3)
Package Random Vibration Test	1.15Grms, 1Hz ~ 200Hz. (ISTA)	(1) (2) (3)

Note (1): No condensation and no frost during test. End of test, function, mechanical, and optical shall be satisfied with product specification and IIS.

Note (2): The test result and judgment are based on PDI's 1bit driving waveform, driving fixture and driving system.

Note (3): Stay white pattern for storage and non-operation test.

2.3 Product Lifetime

The EPD Module is designed for a 5-year life-time with 25 °C/50% RH operation assumption. Reliability estimation testing with accelerated life-time theory would be demonstrated to provide confidence of EPD lifetime.

2.4 Product Warranty

Warranty conditions have to be negotiated between PDI and individual customers. PDI provides 13months warranty for all products which are purchased from PDI.

3 Electrical Characteristics

3.1 Absolute Maximum Ratings of Panel

Table 3-1 Absolute Maximum Ratings of Panel

Parameter	Symbol	Value		Unit	Note
		Min	Max		
Logic supply voltage	V_{CL}, V_{DDIO}	-0.5	4.0	V	
Ground	V_{SS}	-		-	Connect V_{SS} to Ground

3.2 Recommended Operation Conditions of Panel

Table 3-2 DC Characteristics of Panel

Parameter	Symbol	Value			Unit	Note
		Min	Typ	Max		
Operation voltage	V_{Cl} V_{DDIO}	2.4	3.0	3.7	V	
Input Voltage	High V_{IH}	$0.8V_{DDIO}$			V	$V_{DDIO} = V_{Cl}$
	Low V_{IL}			$0.2V_{DDIO}$	V	
Output Voltage	High V_{OH}	$0.9V_{DDIO}$			V	$V_{DDIO} = V_{Cl}$ $I_{OH} = -100\mu A$
	Low V_{OL}			$0.1V_{DDIO}$	V	$V_{DDIO} = V_{Cl}$ $I_{OL} = 100\mu A,$
OTP program voltage	V_{PP}			7.5	V	
Input Current	I_{Cl+} I_{VDDIO}	-	10	-	mA	(1),(2),(3)

$T_a = 25 \pm 2 \text{ } ^\circ\text{C}$

Note (1):

Figure 3-1 Test Pattern of Panel

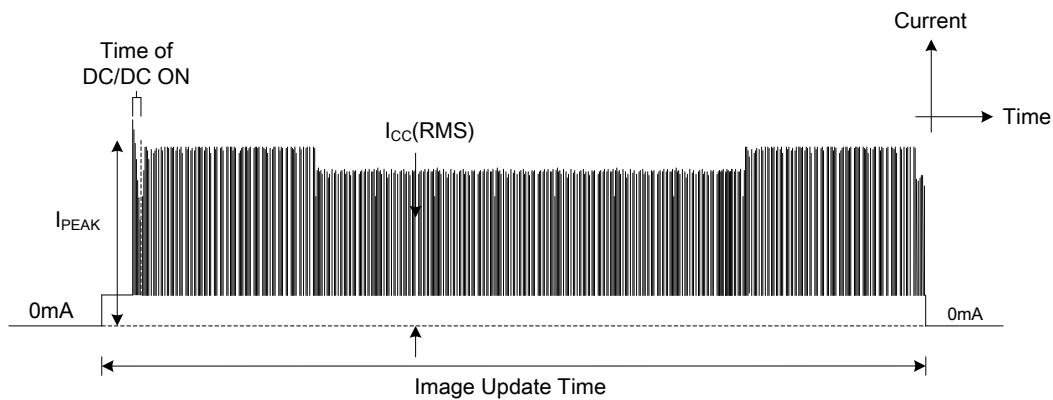


These currents are tested with PDI test jig.

Note (2):

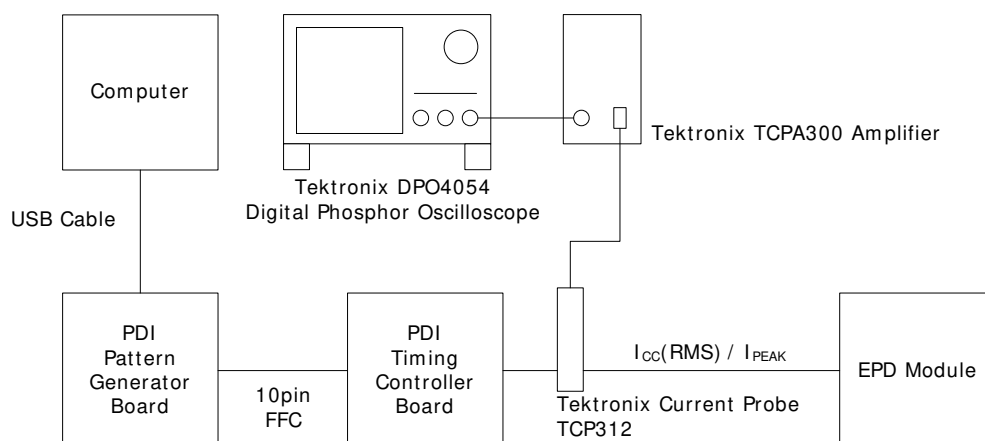
$$V_{SS} = 0V \quad V_{CI} = V_{DDIO} = 3.0V$$

Figure 3-2 Image Update Current Profile



Note (3): The current of $V_{CI} + V_{DDIO}$.

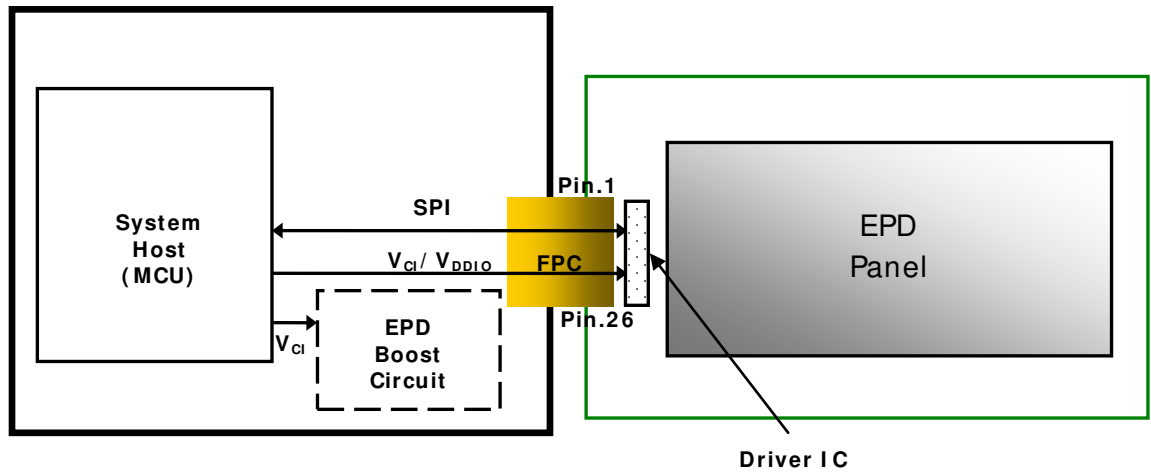
Figure 3-3 Current Measurement



* Set oscilloscope filter to 250MHz and record length to 1M points.

4 Application Circuit Block Diagram

Figure 4-1 Application Circuit Block Diagram



5 Terminal Pin Assignment & Reference Circuit

5.1 Terminal Pin Assignment

Table 5-1 Terminal Pin Assignment

No.	Signal	Type	Connected to	Function
1	NC	-	-	Not connected
2	NC	-	-	Not connected
3	GDR	O	Power MOSFET Driver control	This pin is the N-channel MOSFET gate drive control.
4	RESE	I	Booster Control Input	This pin is the current sense input for the control loop.
5	VGL	C	Capacitor	This pin is the negative gate driving voltage. A stabilizing capacitor should be connected between VGL and VSS.
6	VGH	C	Capacitor	This pin is the positive gate driving voltage. A stabilizing capacitor should be connected between VGH and VSS.
7	NC	-	-	Not connected
8	NC	-	-	Not connected
9	BS1	I	VSS	This pin is setting panel interface.
10	BUSY	O	Device Busy Signal	This pin is busy state output pin. When busy is high, the operation of the chip should not be interrupted, and command should not be sent.
11	RES#	I	System Reset	This pin is reset signal input. Active Low.
12	D/C#	I	VDDIO or VSS	This pin is data/command control.
13	CS#	I	VDDIO or VSS	This pin is the chip select.
14	D0	I	Data Bus	D0: SCLK
15	D1	I	Data Bus	D1: SDIN

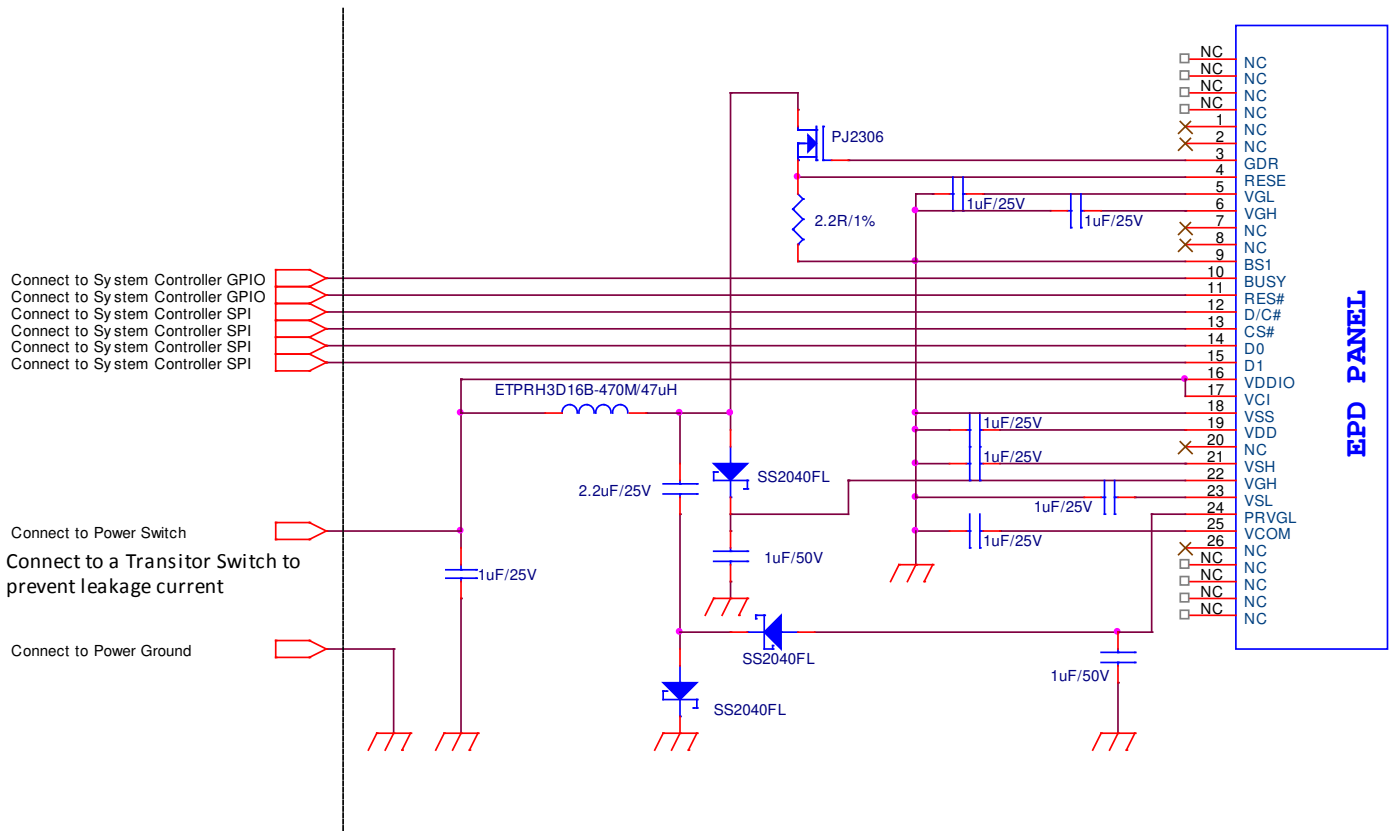
No.	Signal	Type	Connected to	Function
16	VDDIO	P	Power Supply	Power for interface logic pins. It should be connected with VCI.
17	VCI	P	Power Supply	Power supply for the chip.
18	VSS	P	Ground	
19	VDD	C	Capacitor	Regulator output A capacitor should be connected between VDD and VSS.
20	NC	-	-	Not connected
21	VSH	C	Capacitor	This pin is the Positive Source driving voltage. A stabilizing capacitor should be connected between VSH and VSS.
22	VGH	C	Capacitor	This pin is the positive gate driving voltage. A stabilizing capacitor should be connected between VGH and VSS.
23	VSL	C	Capacitor	This pin is the Negative Source driving voltage. A stabilizing capacitor should be connected between VSL and VSS.
24	PREVGL	C	Capacitor	This pin is the Power Supply pin for VGL and VSL. A stabilizing capacitor should be connected between PREVGL and VSS.
25	VCOM	C	Capacitor	This pin is the VCOM driving voltage A stabilizing capacitor should be connected between VCOM and VSS.
26	NC	-	-	Not connected

Note:

Type: I: Input C: Capacitor
 O: Output P: Power

5.2 Reference Circuit

Figure 5-1 EPD Reference Circuit



Type	Part	Note
Inductor	47uH ATNR4010470MT + -20% 0.8A H= 0.9mm	
Transistor	PJ2306 SOT-23 N-Channel 30V/3.2A	(1)
Diode	SS2040FL SOD-123FL	(2)
Capacitors	1uF/25V	-
Capacitors	2.2uF/25V	-

Note:

- (1) PJ2306 is a N-Channel Power MOSFET. The specification of selection criteria are $R_{DS} < 100$ mohm (the lower the better), $V_{DSS} = 30V$, $V_{GS-th} < 2.5V@250uA$.
- (2) SS2040FL is a Schottky diode needs the V_f as lower as possible, 0.2 to 0.4V and the repetitive peak reverse voltage $> 25V$.

6 Optical Characteristics

6.1 Measurement Conditions

Table 6-1 Optical Measurement Conditions

Item	Symbol	Value	Unit
Ambient Temperature	Ta	25±2	°C
Ambient Humidity	Ha	50±10	% RH
Supply Voltage	V _{Cl}	3.0	V

Note: Image is updated with above condition.

6.2 Optical Specifications

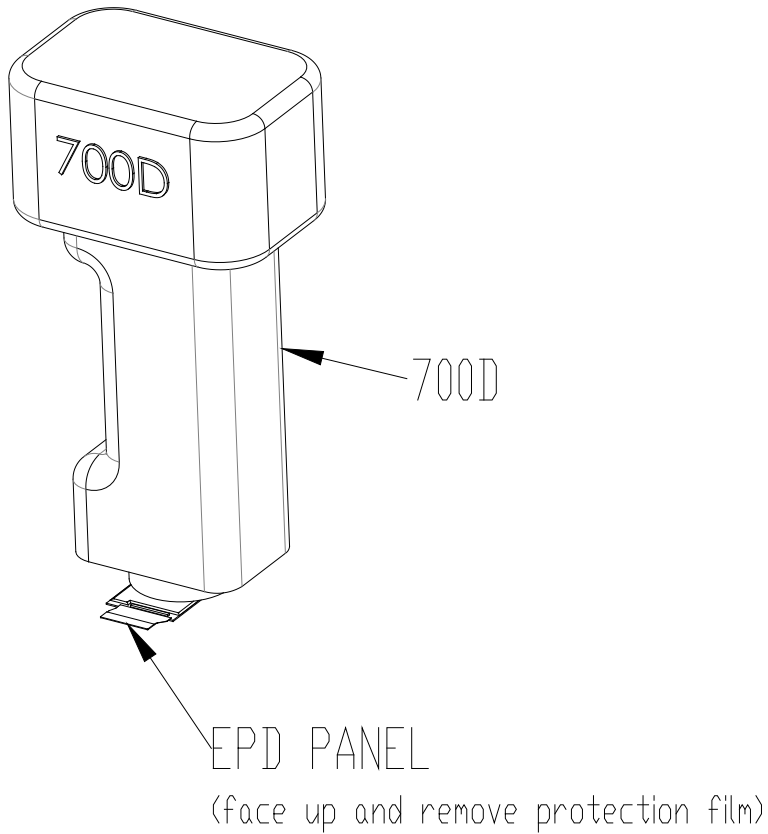
6.2.1 Optical

Table 6-2 Optical Measurement with D65 Light Source

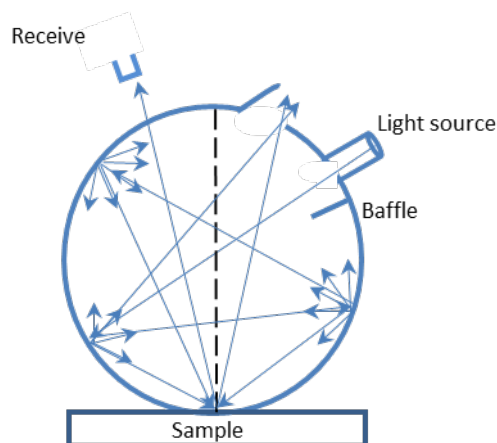
Item	Symbol	Rating			Unit	Note
		Min.	Typ.	Max.		
Contrast ratio	CR	-	10:1	-	-	$\theta_x=\theta_y=0$ (1),(2),(4),(5)
Refresh time	Tr	-	2	-	sec	(1),(3),(5)
White state	L*	-	70	-	-	$\theta_x=\theta_y=0$ (1),(2),(5)
	a*		-2.9			
	b*	-	-0.8	-		
Reflectance	R%	-	40	-	%	(1),(2),(5)

Note (1): Panel is driven by PDI waveform without masking film and optical measurement by CM-700D with D65 light source and SCE mode.

Figure 6-1 Optical measurement

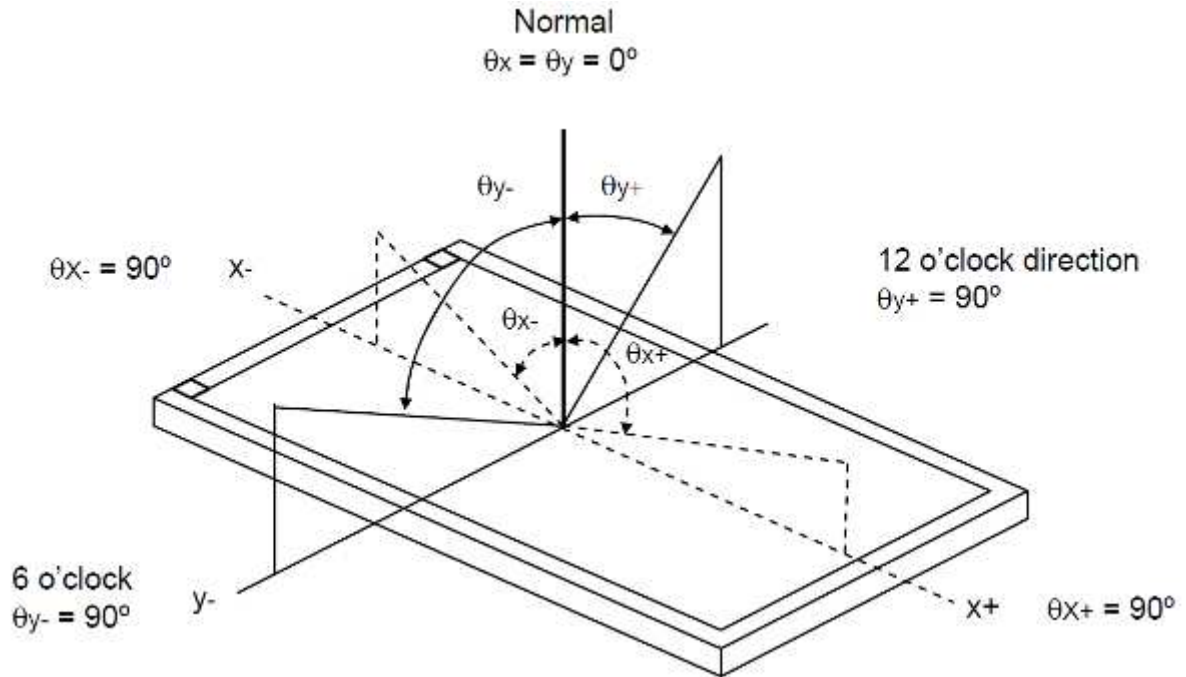


SCE mode



Note (2): Definition of Viewing Angle (θ_x , θ_y):

Figure 6-2 Definition of Viewing Angle to Measure Contrast Ratio



Note (3): Refresh time is the time that e-paper particles move not including the power on and off time. The refresh time is measured at 25°C. The refresh time and contrast ratio varies due to different films, display performance requirements, and ambient temperatures.

Note (4): Contrast ratio (C.R.): The Contrast ratio is calculated by the following expression. $C.R. = (R\% \text{ White}) / (R\% \text{ Black})$.

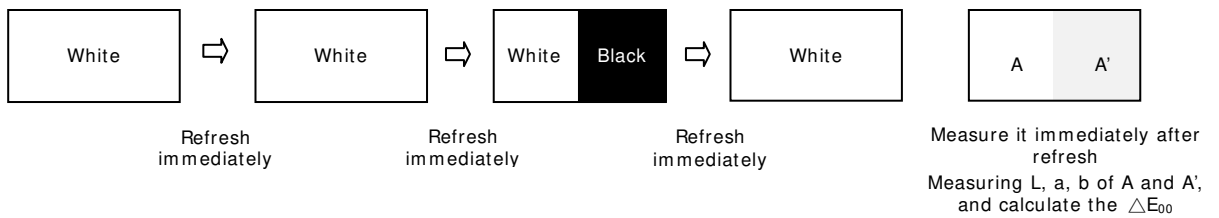
Note (5): Optical data is measured at 60 seconds after refresh with PDI's global update procedure.

6.2.2 Ghosting

Below are two test methods to verify that ghosting within an acceptable range. Test 1 and Test 2 use measured data to calculate color different, ΔE_{00} (CIEDE 2000).

The condition of measurement is to follow “Table 6-1 Optical Measurement Conditions”.

- Test 1: White to Black Ghosting



- Test 2: Black to White Ghosting

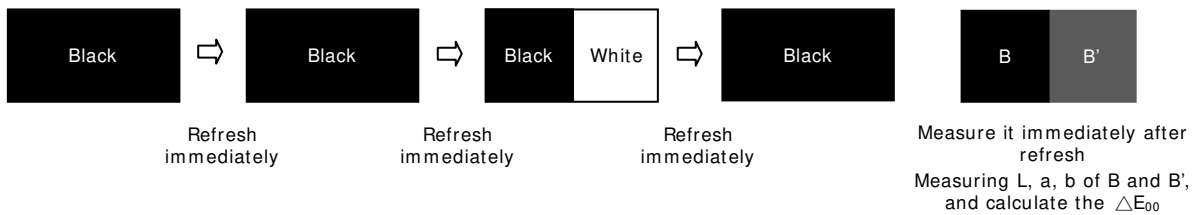


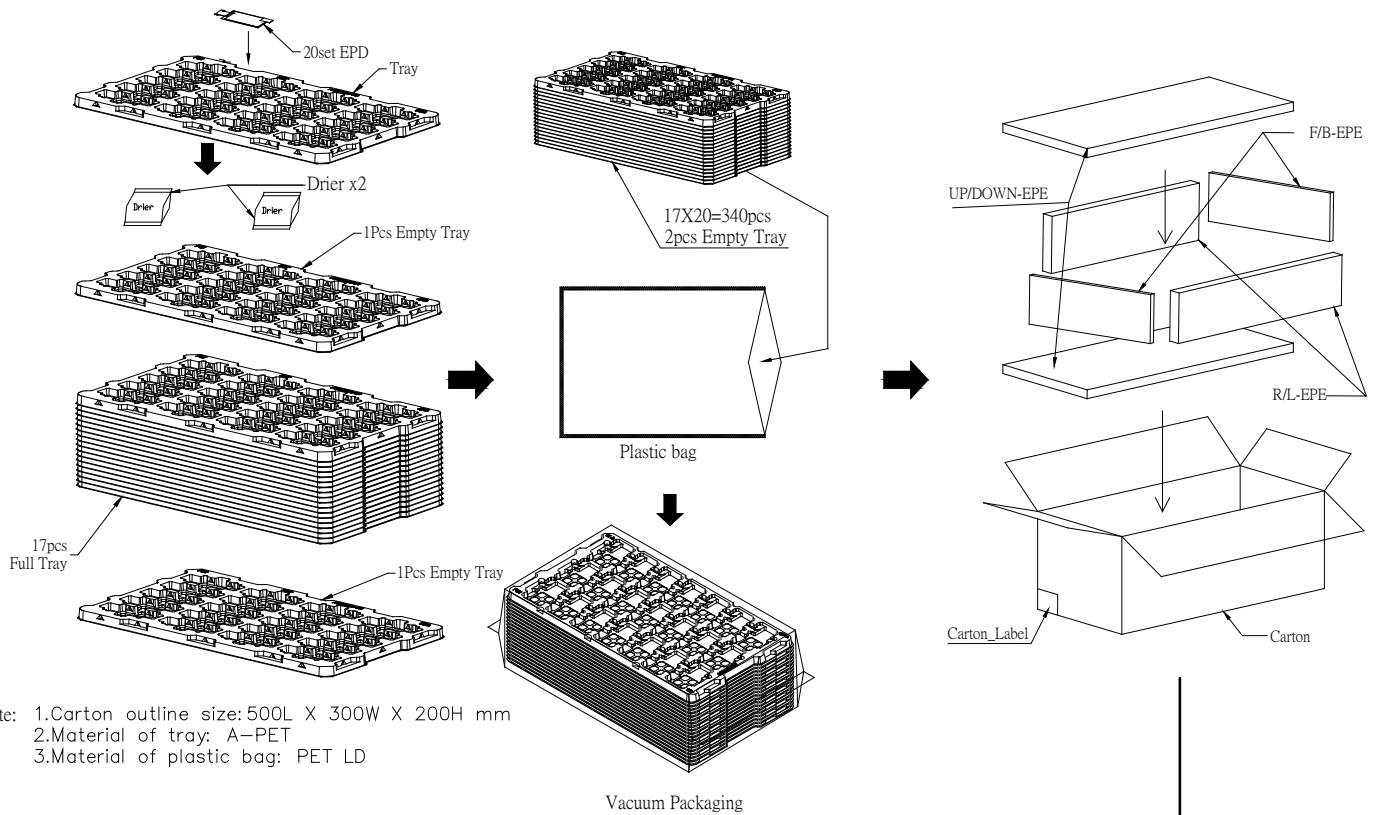
Table 6-3 Measurement of Ghosting

Item	Rating		
	Min.	Typ.	Max.
Test 1 ΔE_{00}	-	-	2
Test 2 ΔE_{00}	-	-	2

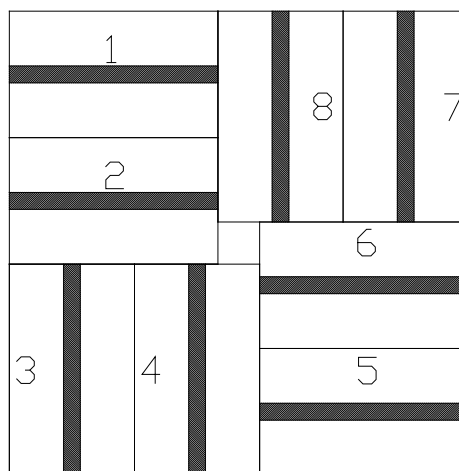
Note: Panel is driven by PDI waveform without masking film and optical measurement by CM-700D with D65 light source and SCE mode.

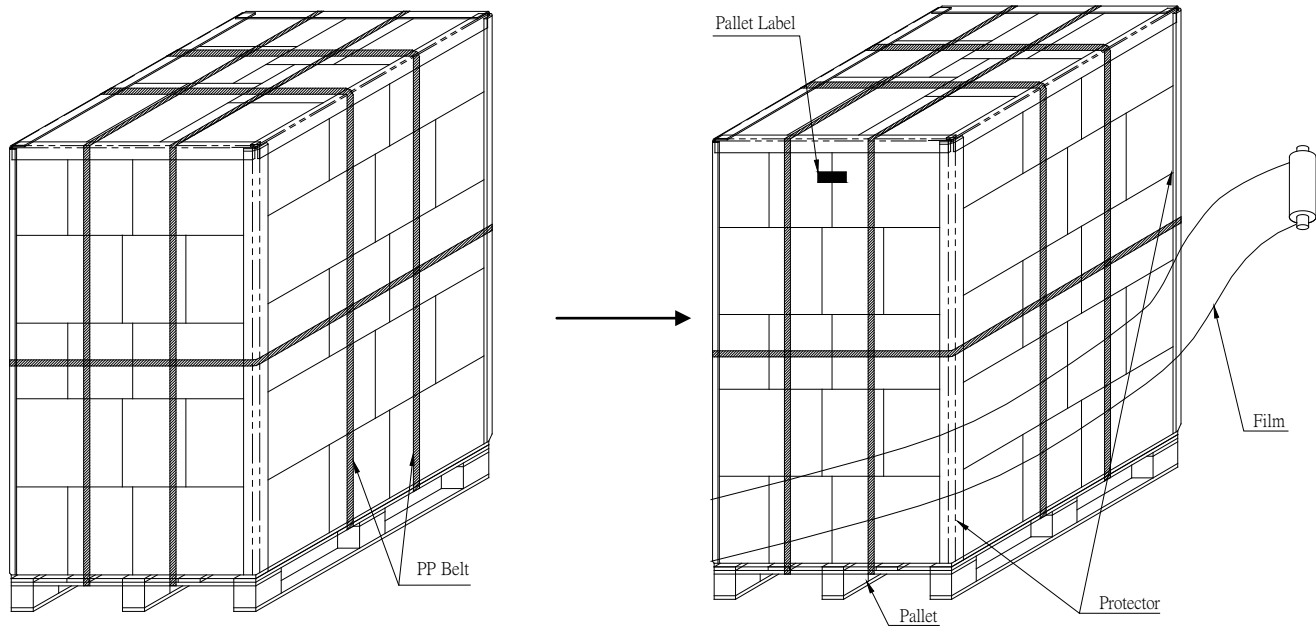
7 Packing

Figure 7-1 Packing Diagram



Note: 1. Carton outline size: 500L X 300W X 200H mm
 2. Material of tray: A-PET
 3. Material of plastic bag: PET LD





340(pcs) x 40(BOX) = 13,600pcs

	2.15" EPD BOX
N.W. :	1.45Kg
G.W. :	4.82 Kg

Sea / Land / Air Transportation

