



Chipsmall Limited consists of a professional team with an average of over 10 year of expertise in the distribution of electronic components. Based in Hongkong, we have already established firm and mutual-benefit business relationships with customers from,Europe,America and south Asia,supplying obsolete and hard-to-find components to meet their specific needs.

With the principle of “Quality Parts,Customers Priority,Honest Operation,and Considerate Service”,our business mainly focus on the distribution of electronic components. Line cards we deal with include Microchip,ALPS,ROHM,Xilinx,Pulse,ON,Everlight and Freescale. Main products comprise IC,Modules,Potentiometer,IC Socket,Relay,Connector.Our parts cover such applications as commercial,industrial, and automotives areas.

We are looking forward to setting up business relationship with you and hope to provide you with the best service and solution. Let us make a better world for our industry!



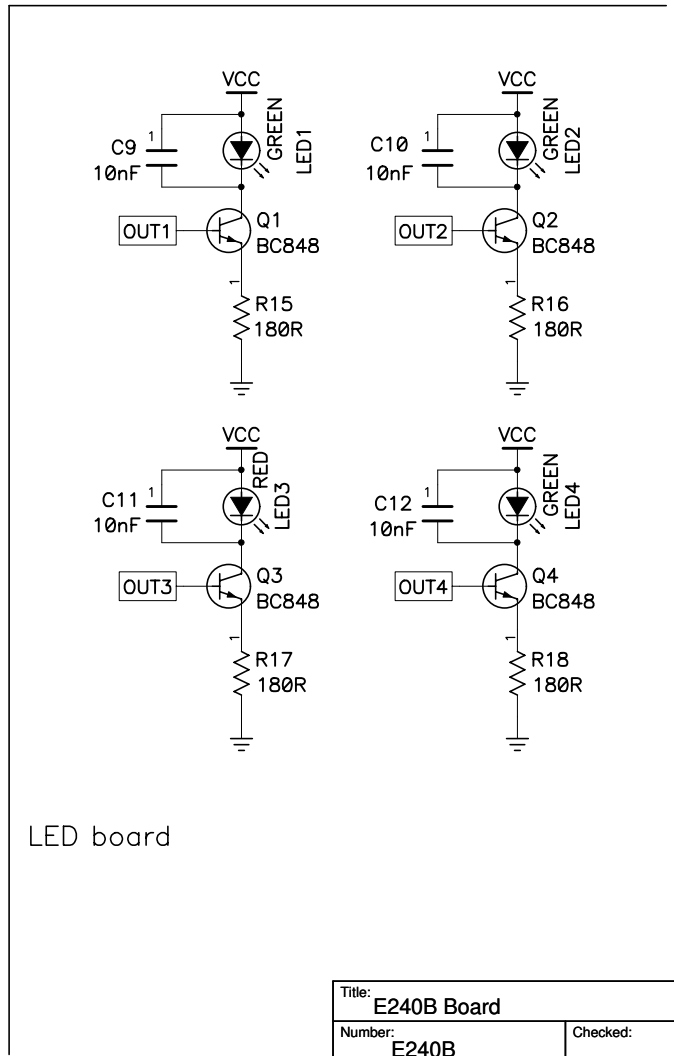
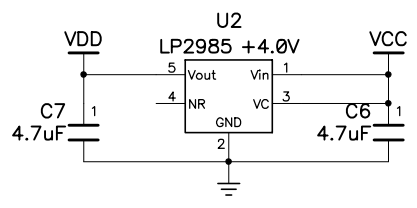
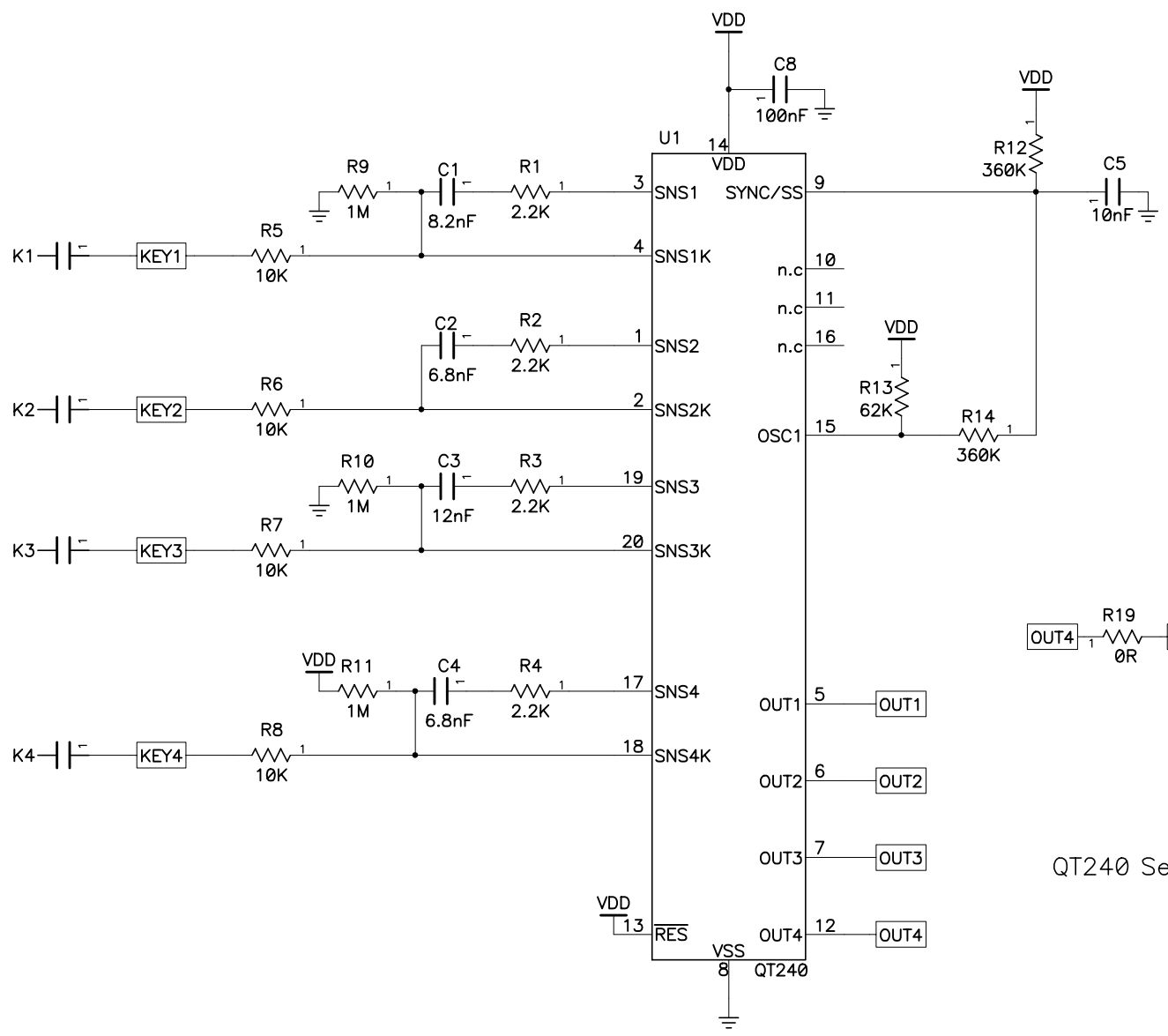
Contact us

Tel: +86-755-8981 8866 Fax: +86-755-8427 6832

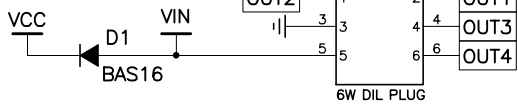
Email & Skype: info@chipsmall.com Web: www.chipsmall.com

Address: A1208, Overseas Decoration Building, #122 Zhenhua RD., Futian, Shenzhen, China





Battery Cable Strain Relief Point TP1 KEY3



QT240 Sense Board

LED board

1	LED capacitors fitted USB removed	MT	4th July 2005
C	USB Connector Added	MT	2nd June 2005
B	J1 pinout changed	MT	26th May 2005
A	First Issue	MT	3rd May 2005
Iss	Notes	Drn	Date

Title: **E240B Board**

Number: **E240B** Checked: _____

Filename: E240B-ISS-1.SCH Approved: _____

Sheet 1 of 1 Drn: M Trend

© 2005 Quantum Research Group - This drawing is confidential and must only be used for the purpose for which it was supplied. No part of this may be reproduced without prior permission from the owner.