



Chipsmall Limited consists of a professional team with an average of over 10 year of expertise in the distribution of electronic components. Based in Hongkong, we have already established firm and mutual-benefit business relationships with customers from,Europe,America and south Asia,supplying obsolete and hard-to-find components to meet their specific needs.

With the principle of “Quality Parts,Customers Priority,Honest Operation,and Considerate Service”,our business mainly focus on the distribution of electronic components. Line cards we deal with include Microchip,ALPS,ROHM,Xilinx,Pulse,ON,Everlight and Freescale. Main products comprise IC,Modules,Potentiometer,IC Socket,Relay,Connector.Our parts cover such applications as commercial,industrial, and automotives areas.

We are looking forward to setting up business relationship with you and hope to provide you with the best service and solution. Let us make a better world for our industry!



## Contact us

Tel: +86-755-8981 8866 Fax: +86-755-8427 6832

Email & Skype: info@chipsmall.com Web: www.chipsmall.com

Address: A1208, Overseas Decoration Building, #122 Zhenhua RD., Futian, Shenzhen, China



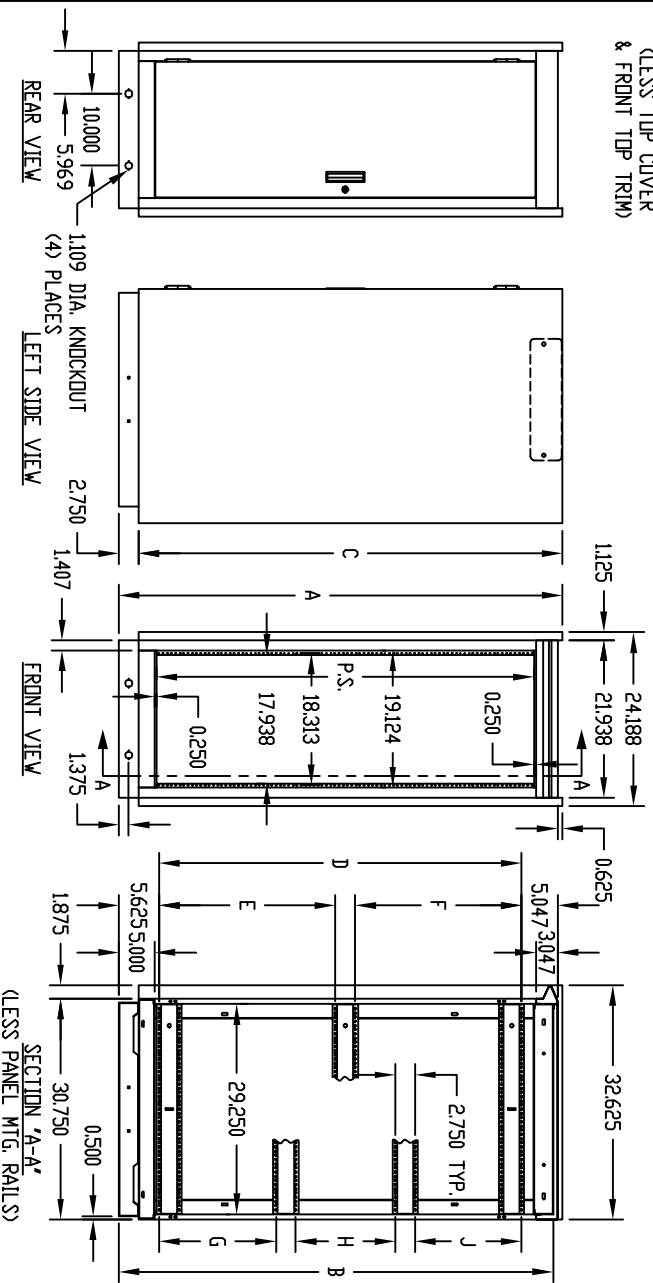
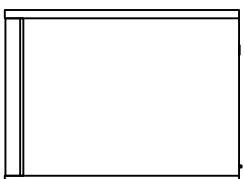
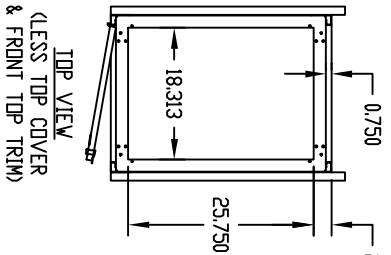
PART NAME SERIES 30-2000 UPRIGHT CABINET RACK

PART No. E30-2000 TD E30-2007

REV. DATE 1-2-02

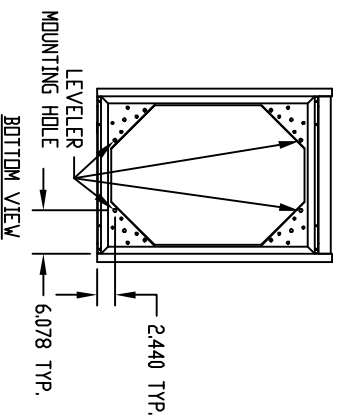
FINISH:  
 FRAME ASSEMBLY, SIDES, DOOR & TOP COVER \_\_\_\_\_ GRAY TEXTURE DR  
 ROYAL BLUE TEXTURE  
 PANEL MOUNTING RAILS \_\_\_\_\_ SMOOTH BLACK  
 FRONT TOP TRIM \_\_\_\_\_ METALLIC GRAY

MATERIAL:  
 PANEL MOUNTING RAILS \_\_\_\_\_ 12 GA. STEEL  
 FRAME TOP, BASE ASSEMBLY, FILLERS & VERTICAL RAILS \_\_\_\_\_ 14 GA. STEEL  
 RAIL SUPPORTS \_\_\_\_\_ 16 GA. STEEL  
 TOP COVER & SIDES \_\_\_\_\_ 18 GA. STEEL  
 DOOR & FRONT TOP TRIM \_\_\_\_\_ 20 GA. STEEL



PANEL MOUNTING RAILS (FRONT & REAR) ARE TAPPED #10-32 ON E.I.A. UNIVERSAL SPACING AND ARE FULLY ADJUSTABLE.

BOTTOM PIERCED FOR MOUNTING RC-7758 CASTERS.  
 LOAD RATING: 1200 LBS. MAX.



\* DISCONTINUED

PART No.	P.S.	A	B	C	D	E	F	G	H	J
E30-2000	21.000	30.250	29.000	27.500	18.937	—	—	—	—	—
* E30-2001	31.500	40.750	39.500	38.000	29.437	—	—	—	—	—
* E30-2002	35.000	44.250	43.000	41.500	32.937	—	—	—	—	—
E30-2003	42.000	51.250	50.000	48.500	—	19.281	17.906	—	—	—
E30-2004	52.500	61.750	60.500	59.000	—	24.531	23.156	—	—	—
E30-2005	61.250	70.500	69.250	67.750	—	28.906	27.531	—	—	—
E30-2006	70.000	79.250	78.000	76.500	—	33.281	31.906	—	—	—
E30-2007	78.750	88.000	86.750	85.250	—	—	—	25.125	22.312	23.750