



Chipsmall Limited consists of a professional team with an average of over 10 year of expertise in the distribution of electronic components. Based in Hongkong, we have already established firm and mutual-benefit business relationships with customers from,Europe,America and south Asia,supplying obsolete and hard-to-find components to meet their specific needs.

With the principle of “Quality Parts,Customers Priority,Honest Operation,and Considerate Service”,our business mainly focus on the distribution of electronic components. Line cards we deal with include Microchip,ALPS,ROHM,Xilinx,Pulse,ON,Everlight and Freescale. Main products comprise IC,Modules,Potentiometer,IC Socket,Relay,Connector.Our parts cover such applications as commercial,industrial, and automotives areas.

We are looking forward to setting up business relationship with you and hope to provide you with the best service and solution. Let us make a better world for our industry!



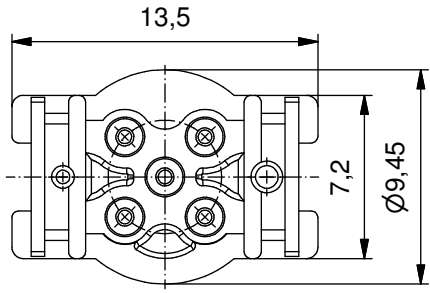
Contact us

Tel: +86-755-8981 8866 Fax: +86-755-8427 6832

Email & Skype: info@chipsmall.com Web: www.chipsmall.com

Address: A1208, Overseas Decoration Building, #122 Zhenhua RD., Futian, Shenzhen, China





Technical specification:

Rated voltage: 4pos 5pos
IEC 61076-2-101 250 V 60V

Current rating: 4/5pos
IEC 61076-2-101 4 A at 40°C

Insulation resistance: >=100 MΩ
IEC 60512

Pollution degree: 3/2
IEC 60664-1

Degree of protection: IP 67, in mated condition
IEC 60529

Temperature range: -25°C ... +95°C
EN 60512-11-10 -40°C
EN 60512-11-4 -40°C ... +85°C

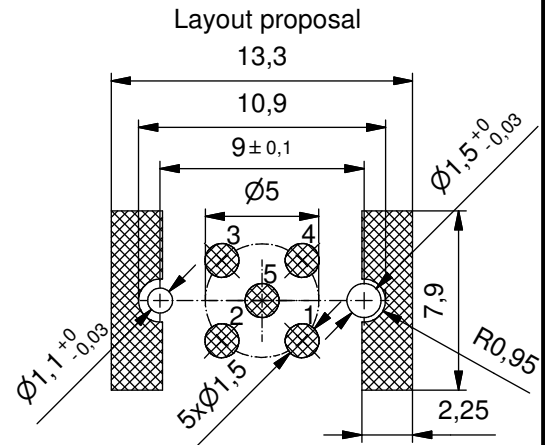
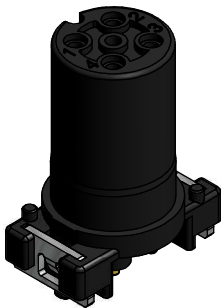
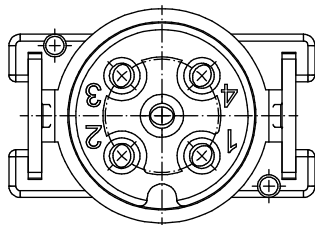
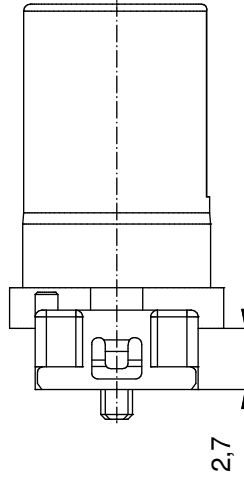
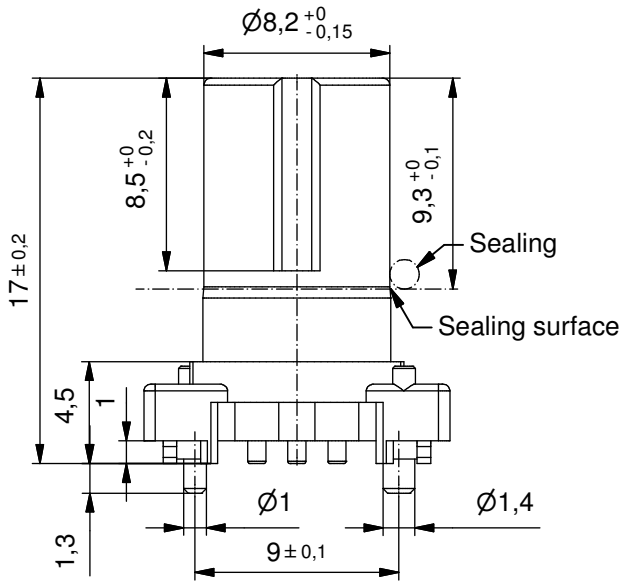
Mating cycles: >=100
IEC 60512-9a

Materials:

Contact: CuZn, Ni b / Au 0,2 gal.
Contact carrier: LCP GF, UL 94 V-0
Soldering sheet: CuZn, Ni / tin plated

Suitable for reflow soldering
max. 60s / 250°C

Coplanarity of all contacts and
soldering sheets max 0,1mm



Part no. packing unit Tape & Reel:	Part no. packing unit in bulk:	Description:	Pos
43-01848TR	43-01848	SAL - 12 - IK4 - X9 / SMT	4
43-01849TR	43-01849	SAL - 12 - IK5 - X9 / SMT	5

DO NOT ALTER CAD DRAWING BY HAND RoHS & REACH compliant	Index d 30.03.16 brü Ä6042 technical data changed & tolerance optimized		dim. in mm	title: Insulating body female M12x1 SMT	
	drawn	12.10.11	Kniesburges		dwg no: 43K1A1478
	appd.	13.10.11	W.Schmidt		
general tolerance:	0 ± 0,50mm 0,0 ± 0,25mm 0,00 ± 0,10mm * ± 1,5°	CONEC®		part no: see table	
THIS DRAWING MAY NOT BE COPIED OR REPRODUCED IN ANY WAY, AND MAY NOT BE PASSED ON TO A THIRD PARTY WITHOUT WRITTEN PERMISSION. OWNERSHIP AND COPYRIGHT OF CONEC GmbH					