



Chipsmall Limited consists of a professional team with an average of over 10 year of expertise in the distribution of electronic components. Based in Hongkong, we have already established firm and mutual-benefit business relationships with customers from,Europe,America and south Asia,supplying obsolete and hard-to-find components to meet their specific needs.

With the principle of “Quality Parts,Customers Priority,Honest Operation,and Considerate Service”,our business mainly focus on the distribution of electronic components. Line cards we deal with include Microchip,ALPS,ROHM,Xilinx,Pulse,ON,Everlight and Freescale. Main products comprise IC,Modules,Potentiometer,IC Socket,Relay,Connector.Our parts cover such applications as commercial,industrial, and automotives areas.

We are looking forward to setting up business relationship with you and hope to provide you with the best service and solution. Let us make a better world for our industry!



Contact us

Tel: +86-755-8981 8866 Fax: +86-755-8427 6832

Email & Skype: info@chipsmall.com Web: www.chipsmall.com

Address: A1208, Overseas Decoration Building, #122 Zhenhua RD., Futian, Shenzhen, China



The wirelessly controlled ILLUMRA Dimmer / Relay Receiver responds to compatible ILLUMRA wireless light switches and transmitters to provide lighting and dimming controls.

The dimmer can also turn off or dim lights based on signals from wireless sensors detecting occupancy or available natural light.

Easy-To-Use

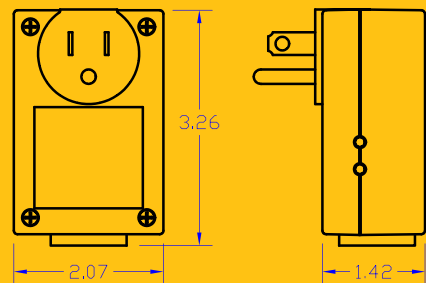
- Plugs into any 120V outlet
- Fast, simple programming
- Requires no switch-leg wires
- DIM or ON/OFF control of lights

Reliable Range

- 50 to 150 foot range (typical)
- Compatible with all ILLUMRA switches
- Error checking ensures response only to appropriate wireless switches
- A single transmitter can control unlimited Dimmers within range
- Repeaters available for added range

Save Energy, Time, and Money

Avoid costly and time-consuming installation of hardwire switches, and conserve energy and save money by choosing ILLUMRA switches, sensors and receivers!



777 S. State St.
Orem, UT 84058

T: (801) 349-1200
F: (801) 653-4257
Sales@ILLUMRA.com
Info@ILLUMRA.com
www.ILLUMRA.com



Wireless Light Dimming or ON/OFF Control

- Dimming for architectural lighting
- Daylighting
- Load shedding
- Manual ON/OFF automatic OFF controls

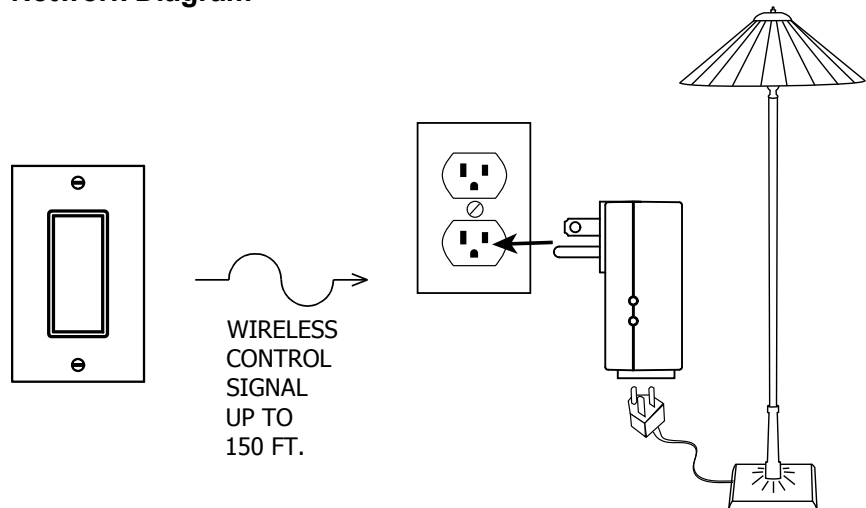
Control The Way You Want It

Control the ILLUMRA Dimmer with a variety of devices:

- Self-powered wireless light switches
- Wireless light sensors
- Wireless occupancy sensors
- More

E3R-D12GP	
Range	50-150 feet (typical)
Frequency	315 MHz
Power Supply Input Rating	120VAC / 60 Hz
Output Rating	Maximum 300W resistive or incandescent Incandescent or other dimmable loads only - No motor loads
Output Channels	1 dimming or ON/OFF output
Memory	Stores up to 30 unique transmitter IDs
Operating Temperature	-13° to +122°F (-25° to +50°C)
Storage Temperature	-40° to +140°F (-40° to +60°C)
Dimensions	3.26 x 2.07 x 1.42 inches (82 x 53 x 36 mm)
Radio Certification	FCC (United States): SZV-TCM2XXC I.C. (Canada): 5713A-TCM2XXC
Safety Approval	ETL (United States): UL244A ETL (Canada): CSAc22.2#14-05

Network Diagram



This device or certain aspects thereof is protected by at least one U.S. or international patent or has at least one such patent application pending.



AHD0218B

ILLUMRA is a trademark of Ad Hoc Electronics, L.L.C. Other trademarks herein are the property of their respective owners.