



Chipsmall Limited consists of a professional team with an average of over 10 year of expertise in the distribution of electronic components. Based in Hongkong, we have already established firm and mutual-benefit business relationships with customers from,Europe,America and south Asia,supplying obsolete and hard-to-find components to meet their specific needs.

With the principle of "Quality Parts,Customers Priority,Honest Operation,and Considerate Service",our business mainly focus on the distribution of electronic components. Line cards we deal with include Microchip,ALPS,ROHM,Xilinx,Pulse,ON,Everlight and Freescale. Main products comprise IC,Modules,Potentiometer,IC Socket,Relay,Connector.Our parts cover such applications as commercial,industrial, and automotives areas.

We are looking forward to setting up business relationship with you and hope to provide you with the best service and solution. Let us make a better world for our industry!



## Contact us

Tel: +86-755-8981 8866 Fax: +86-755-8427 6832

Email & Skype: info@chipsmall.com Web: www.chipsmall.com

Address: A1208, Overseas Decoration Building, #122 Zhenhua RD., Futian, Shenzhen, China





# Plug-in Relay Receiver

902 MHz  
E9X-R12GP  
E9X-R12GP-Z (High Power)

315 MHz  
E3X-R12GP  
E3X-R12GP-Z (High Power)

The wirelessly controlled ILLUMRA Relay Receiver responds to compatible ILLUMRA wireless light switches and transmitters to provide ON/OFF control of lights and other plug-in devices.

The receiver may optionally be used to control electrical loads using signals from wireless occupancy sensors.

## Easy-To-Use

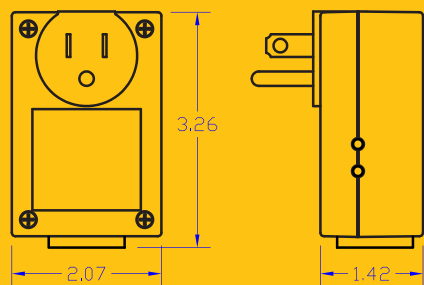
- Plugs into any 120V outlet
- Fast, simple programming
- Requires no switch-leg wires
- ON/OFF control of lights and devices

## Reliable Range

- 50 to 150 foot range (typical)
- Compatible with all ILLUMRA switches
- Error checking ensures response only to appropriate wireless switches
- A single transmitter can control unlimited receivers within range
- Repeaters available for added range

## Save Energy, Time, and Money

Avoid costly and time-consuming installation of hardwire switches, and conserve energy and save money by choosing ILLUMRA switches, sensors and receivers!



ILLUMRA  
Lindon, UT 84042

T: (801) 349-1200  
Sales@ILLUMRA.com  
Info@ILLUMRA.com  
www.ILLUMRA.com



## Simple Wireless Control Systems

- Lamps
- Outdoor Lighting
- Manual or automatic ON/OFF control w/ Motion Sensor

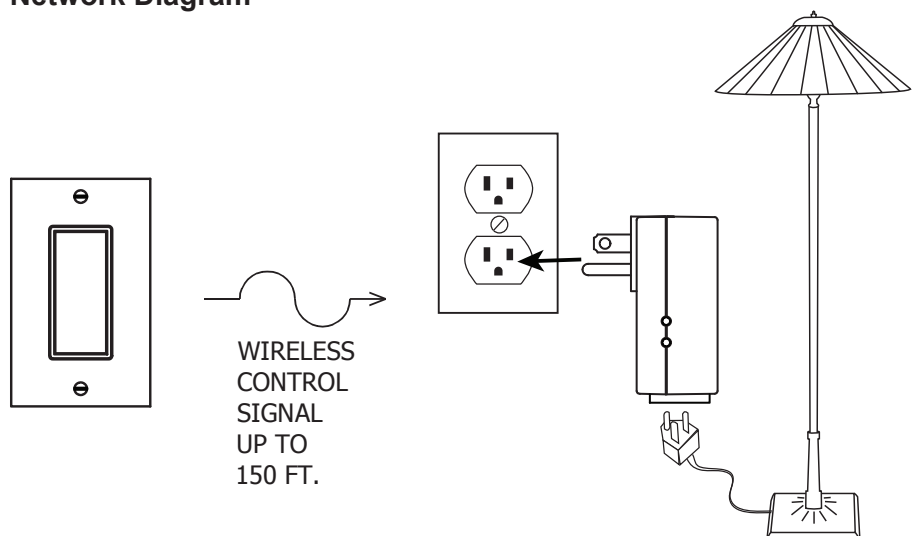
## Control The Way You Want It

Control the ILLUMRA Relay Receiver with a variety of devices:

- Self-powered wireless light switches
- Wireless occupancy sensors
- SLT sensors
- Gateway control

	E3X-R12GP E9X-R12GP	E3X-R12GP-Z E9X-R12GP-Z
Range	50-150 feet (typical)	
Frequency	315 or 902 MHz	
Power Supply Input Rating	120VAC 50 / 60 Hz	
Output Rating		
General	6A	15A
Ballast	3A	15A
Tungsten	500W	1800W
Motor	N/A	1/2 HP
Memory	Stores up to 25 unique transmitter IDs	
Operating Temperature	-13° to +140°F (-25° to +60°C)	
Storage Temperature	-40° to +140°F (-40° to +60°C)	
Dimensions	3.26 x 2.07 x 1.42 inches (82 x 53 x 36 mm)	
Radio Certification	FCC (United States) I.C. (Canada)	
Safety Approval	ETL (United States): UL244A ETL (Canada): CSAc22.2#14-05	

## Network Diagram



This device or certain aspects thereof is protected by at least one U.S. or international patent or has at least one such patent application pending.



AHD0242C

ILLUMRA is a trademark of Ad Hoc Electronics, L.L.C. Other trademarks herein are the property of their respective owners.