



Chipsmall Limited consists of a professional team with an average of over 10 year of expertise in the distribution of electronic components. Based in Hongkong, we have already established firm and mutual-benefit business relationships with customers from,Europe,America and south Asia,supplying obsolete and hard-to-find components to meet their specific needs.

With the principle of “Quality Parts,Customers Priority,Honest Operation,and Considerate Service”,our business mainly focus on the distribution of electronic components. Line cards we deal with include Microchip,ALPS,ROHM,Xilinx,Pulse,ON,Everlight and Freescale. Main products comprise IC,Modules,Potentiometer,IC Socket,Relay,Connector.Our parts cover such applications as commercial,industrial, and automotives areas.

We are looking forward to setting up business relationship with you and hope to provide you with the best service and solution. Let us make a better world for our industry!



Contact us

Tel: +86-755-8981 8866 Fax: +86-755-8427 6832

Email & Skype: info@chipsmall.com Web: www.chipsmall.com

Address: A1208, Overseas Decoration Building, #122 Zhenhua RD., Futian, Shenzhen, China





Switch Leg Transmitter (SLT)

- E3T-R02-2INTP (24 VAC)
- E3T-R12-2INTP (120 VAC)
- E3T-R24-2INTP (240 VAC)
- E3T-R27-2INTP (277 VAC)

The ILLUMRA™ Single Channel Switch Leg Transmitter (SLT) replaces wire between an electrical device and a control switch. The SLT senses status of photocell, timer, or manual switch master circuit to control wireless slave receiver(s).

Easy-To-Use

- Installs in minutes
- Easy-to-configure
- Eliminates need for switch-leg wires
- Communicates with ILLUMRA receivers

Reliable Range

- 50-150 foot range (typical)
- Unique ID of each SLT activates only the intended receiver(s)
- Repeaters available for added range

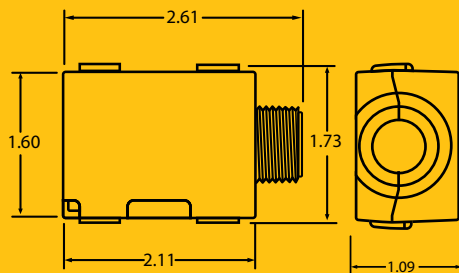
Save Time and Money

Run no switch leg wires when installing electrical loads. ILLUMRA Switch Leg Transmitters send wireless signals to receivers without costly and time-consuming wiring.

Save Energy

Conserve energy and save money by using the SLT in load shedding or energy-efficient HVAC control applications. Connect HVAC, lighting, or other devices to a Relay Receiver to turn them OFF and ON automatically in synch with any device connected to an SLT.

Threaded Nipple Relay



Simple Wireless Control

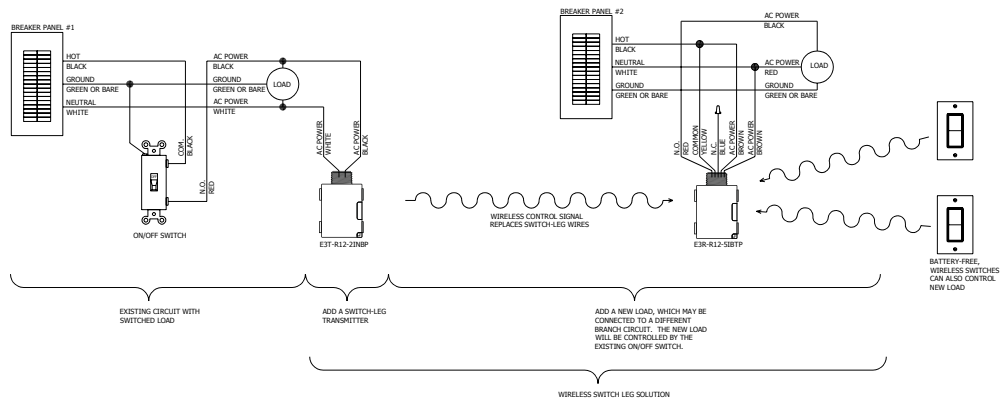
- Economy HVAC controls
- Interlocked motor controls
- Master / Slave lighting controls

Control The Way You Want It

- Wirelessly control new device(s) with an existing switch
- Sense status of photocell, timer, or manual switch master circuit to control wireless slave receiver(s)

	E3T-R02-2INTP	E3T-R12-2INTP	E3T-R24-2INTP	E3T-R27-2INTP
Range	50-150 feet (typical)			
Frequency	315 MHz			
Power Supply Input Rating	24 VAC 50/60 Hz	120 VAC 50/60 Hz	240 VAC 50/60 Hz	277 VAC 50/60 Hz
Operating Temperature	14° to +122°F (-10° to +50°C)			
Dimensions	2.11 x 1.73 x 1.09 inches (54 x 44 x 28 mm)			
Radio Certification	FCC (United States) SZV-TCM2XXC I.C. (Canada) 5713A-TCM2XXC			
Safety Approval	ETL (United States) UL244A ETL (Canada) CSAc22.2#14-05			
Addressing	Factory set unique ID (1 of 4 billion)			

Network Diagram



815 W. 1250 S. #118
Orem, UT 84058

T: (801) 349-1200
F: (801) 614-7100
Sales@ILLUMRA.com
Info@ILLUMRA.com
www.ILLUMRA.com

This device or certain aspects thereof is protected by at least one U.S. or international patent or has at least one such patent application pending.



AHD0206B

ILLUMRA is a trademark of Ad Hoc Electronics, I.L.C. Other trademarks herein are the property of their respective owners.

AHD0206A