



Chipsmall Limited consists of a professional team with an average of over 10 year of expertise in the distribution of electronic components. Based in Hongkong, we have already established firm and mutual-benefit business relationships with customers from,Europe,America and south Asia,supplying obsolete and hard-to-find components to meet their specific needs.

With the principle of “Quality Parts,Customers Priority,Honest Operation,and Considerate Service”,our business mainly focus on the distribution of electronic components. Line cards we deal with include Microchip,ALPS,ROHM,Xilinx,Pulse,ON,Everlight and Freescale. Main products comprise IC,Modules,Potentiometer,IC Socket,Relay,Connector.Our parts cover such applications as commercial,industrial, and automotives areas.

We are looking forward to setting up business relationship with you and hope to provide you with the best service and solution. Let us make a better world for our industry!



Contact us

Tel: +86-755-8981 8866 Fax: +86-755-8427 6832

Email & Skype: info@chipsmall.com Web: www.chipsmall.com

Address: A1208, Overseas Decoration Building, #122 Zhenhua RD., Futian, Shenzhen, China





Single Rocker Self-powered Wireless Light Switch

ExT-S1AWH (White) ExT-S1ABR (Brown)
 ExT-S1ALA (Light Almond) ExT-S1ABK (Black)
 ExT-S1AIV (Ivory) ExT-S1AGY (Gray)

Dual Rocker Self-powered Wireless Light Switch

ExT-S2AWH (White) ExT-S2ABR (Brown)
 ExT-S2ALA (Light Almond) ExT-S2ABK (Black)
 ExT-S2AIV (Ivory) ExT-S2AGY (Gray)

ExT: E3T=315 MHz, E8T=868 MHz, E9T=915 MHz

ILLUMRA™ self-powered light switches use no wires or batteries. Pressing the switch creates the energy to transmit a wireless signal that controls lights or other devices connected to EnOcean receivers.

Easy-To-Use

- Installs in minutes
- Requires no wiring
- Easy to configure
- Communicates with EnOcean receivers

Reliable Range

- 50-150 foot operating range (typical)
- Unique ID of each switch activates only the intended receiver(s)

Save Time and Money

Avoid costly and time-consuming installation of hardwire switches by choosing ILLUMRA wireless switches and receivers. Installing a switch doesn't have to mean tearing open a wall.

Save Energy

Save energy and money by creating Manual ON / Auto OFF controls using ILLUMRA switches and occupancy sensors or by programming all lights to respond to a single master switch. ILLUMRA makes it easy to keep lights and systems off when not in use!



No Batteries!
No Wires!

Simple Wireless Control

- Mount switches anywhere
- Create 3-way and 4-way switches
- Control lights, motors, or other electrical loads
- Reconfigure or relocate as needed

Control The Way You Want It

- Use with any line voltage or low voltage ILLUMRA receivers
- Control an unlimited number of EnOcean receivers within range
- Experience wireless dimming or ON/OFF control
- Maintenance-free operation for 20+ years

Available Colors:



White



Light Almond



Ivory



Gray



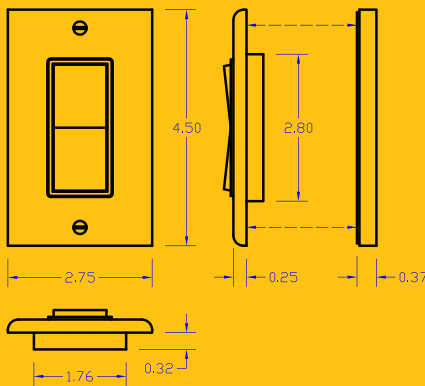
Brown



Black

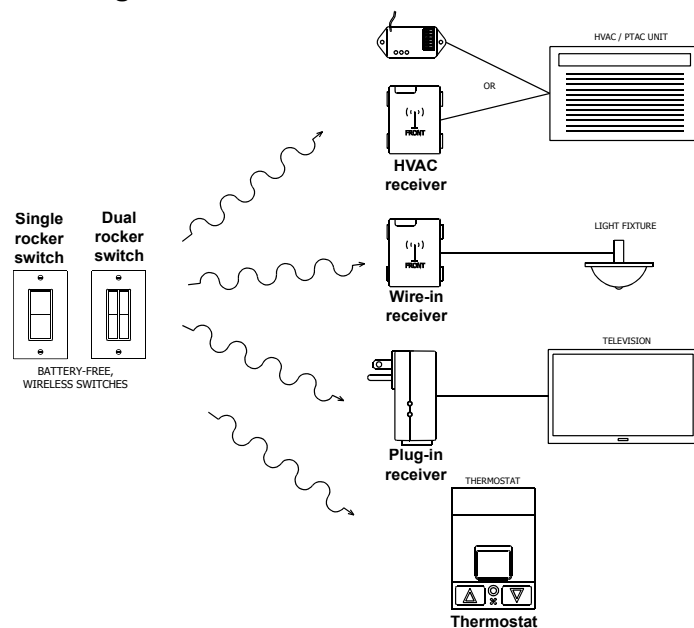
| | ExT-S1Axx | ExT-S2Axx |
|---------------------|--|-----------------------|
| Range | 50-150 feet (typical) | |
| Frequency | 315, 868 or 902 MHz | |
| Power Supply | Self-generated when switch is pressed | |
| Buttons | 2 Buttons (1 rocker) | 4 Buttons (2 rockers) |
| Output Channels | Only limited by number of receivers in range | |
| Dimensions | 2.75 (W) x 4.5 (H) x 0.62 (D) inches | |
| Radio Certification | FCC (United States): SZV-PTM200C, 210C or 210U I.C. (Canada): 5713A-PTM200C, 210C or 210U *868 Not FCC Apprvd | |
| Addressing | Factory set unique ID (1 of 4 billion) | |

Network Diagram



ILLUMRA
Lindon, UT

T: (801) 349-1200
 Sales@ILLUMRA.com
 Info@ILLUMRA.com
 www.ILLUMRA.com



This device or certain aspects thereof is protected by at least one U.S. or international patent or has at least one such patent application pending.



ILLUMRA is a trademark of Ad Hoc Electronics, L.L.C. Other trademarks herein are the property of their respective owners.

AHD0201C