



Chipsmall Limited consists of a professional team with an average of over 10 year of expertise in the distribution of electronic components. Based in Hongkong, we have already established firm and mutual-benefit business relationships with customers from,Europe,America and south Asia,supplying obsolete and hard-to-find components to meet their specific needs.

With the principle of “Quality Parts,Customers Priority,Honest Operation,and Considerate Service”,our business mainly focus on the distribution of electronic components. Line cards we deal with include Microchip,ALPS,ROHM,Xilinx,Pulse,ON,Everlight and Freescale. Main products comprise IC,Modules,Potentiometer,IC Socket,Relay,Connector.Our parts cover such applications as commercial,industrial, and automotives areas.

We are looking forward to setting up business relationship with you and hope to provide you with the best service and solution. Let us make a better world for our industry!



## Contact us

Tel: +86-755-8981 8866 Fax: +86-755-8427 6832

Email & Skype: info@chipsmall.com Web: www.chipsmall.com

Address: A1208, Overseas Decoration Building, #122 Zhenhua RD., Futian, Shenzhen, China



# E4 - SERIES

## SPECIFICATIONS AND ORDERING INFORMATION

2 13/16" DIAMETER 11.0 AMPS @ 28 VDC

The E4 Series was designed to offer maximum power ratings in an electronic open frame switch. Standard construction consists of a 20° index, 2-17 positions, and solder lug terminals.



### SPECIFICATIONS

#### ELECTRICAL

**Current and Voltage Rating:** Make and break resistive load 11.0 amps @ 28 VDC; 9.0 amps @ 115 VAC.  
**Current Carrying Capacity:** 17 amps.  
**Dielectric Strength:** 3000 VAC between current carrying parts and ground.  
**Contact Resistance:** Average initial 7.0 milliohms.  
**Insulation Resistance:** In excess of 1,000,000 megohms.

**Hardware:** Mounting nut and lockwasher are shipped assembled.

#### MECHANICAL

**Materials and Finishes:** All parts utilize non-corrosive materials as standard.  
**Contacts and Collector Rings:** Coin silver as standard.  
**Insulation:** Ceramic.  
**Index:** Dual-ball, hill and valley design.  
**Index Life:** 25,000 cycles minimum.  
**Index Torque:** Switches have lowest practical torque consistent with crisp detenting and smooth, reliable operation.  
**Index Angles:** Positive 20° standard.  
**Index Stops:** Adjustable stops standard, fixed or continuous.  
**Stop Strength:** 25 in. lbs. minimum.

### STANDARD PART NUMBER

#### 20° INDEXING

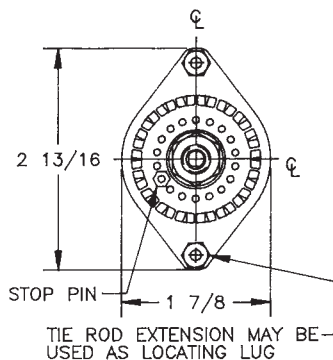
SWITCHES ADJUSTABLE STOPS - SOLDER LUG TERMINALS - STOPS SET @ 2 POS.

POLES	ACTIVE POSITIONS	POLES/ SECTION	NO. OF SECTIONS	SHORTING	NON-SHORTING	FIG. *	POLES	ACTIVE POSITIONS	POLES/ SECTION	NO. OF SECTIONS	SHORTING	NON-SHORTING	FIG. *
01	02-17	1	1	E4C0117S	E4C0117N	EA	06	02-17	1	6	E4C0617S	E4C0617N	EA
02	02-17	1	2	E4C0217S	E4C0217N	EA	06	02-08	2	3	E4C0608S	E4C0608N	EB
02	02-08	2	1	E4C0208S	E4C0208N	EB	06	02-05	3	2	E4C0605S	E4C0605N	EC
03	02-17	1	3	E4C0317S	E4C0317N	EA	08	02-08	2	4	E4C0808S	E4C0808N	EB
03	02-05	3	1	E4C0305S	E4C0305N	EC	09	02-05	3	3	E4C0905S	E4C0905N	EC
04	02-17	1	4	E4C0417S	E4C0417N	EA	10	02-08	2	5	E4C1008S	E4C1008N	EB
04	02-08	2	2	E4C0408S	E4C0408N	EB	12	02-05	3	4	E4C1205S	E4C1205N	EC
05	02-17	1	5	E4C0517S	E4C0517N	EA	15	02-05	3	5	E4C1505S	E4C1505N	EC

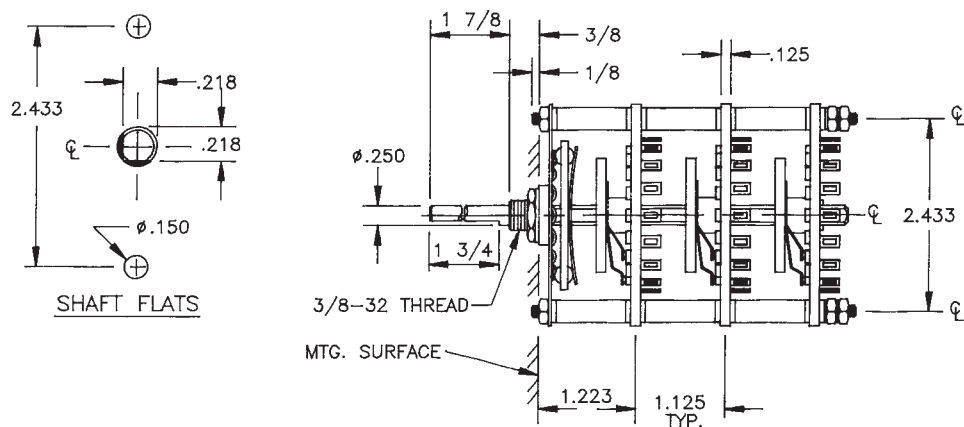
\* FIGURES ARE SHOWN ON PAGE 57.

### DIMENSIONS

#### STANDARD CONSTRUCTION



#### E4C - CERAMIC CONSTRUCTION



## How to Order Additional Options:

2 DIGIT SERIES	INSULATION TYPE	TOTAL POLES	ACTIVE POSITIONS	CONTACT TYPE	STOP TYPE		
E4	C - CERAMIC	01 - MIN.	17 - MAX @ 20°	S - SHORTING N - NON SHORTING	A - ADJ. F - FIXED C - CONT.	SEE CHART "A"	SEE CHART "B"
CUSTOMERS SPECIFIED ORDER NUMBER FOR STANDARD OPTIONS					ADDITIONAL OPTIONS		
<b>E</b>	<b>4</b>	<b>C</b>	<input type="text"/>	<input type="text"/>	<input type="text"/>	<input type="text"/>	<input type="text"/>
					(SPECIFY)	(SPECIFY)	(SPECIFY)

### SHAFT, BUSHING, AND FLAT OPTIONS

P/N OPT.	SHAFT LGTH. "A"	FLAT LGTH. "B"	BUSH. LGTH. "C"
01	3/8	1/4	1/4
02	3/8	1/4	3/8
03	1/2	11/32	1/4
04	1/2	11/32	3/8
05	3/4	15/32	1/4
06	3/4	15/32	3/8
07	1	19/32	1/4
08	1	19/32	3/8
09	1 1/2	5/8	1/4
10	1 1/2	5/8	3/8
11	1 7/8	5/8	1/4
12	1 7/8	5/8	3/8

P/N OPT.	FLAT ANGLE
B	ROUND
U	10°
W	170°
T	180°
Y	190°
Z	350°

- STD.

SHAFT AS VIEWED IN EXTREME CCW POSITION AND STRUT BOLTS ORIENTED VERTICALLY.

E

CUSTOM SWITCHES ARE AVAILABLE. CONTACT THE FACTORY WITH YOUR COMPLETE SPECIFICATIONS.