



Chipsmall Limited consists of a professional team with an average of over 10 year of expertise in the distribution of electronic components. Based in Hongkong, we have already established firm and mutual-benefit business relationships with customers from,Europe,America and south Asia,supplying obsolete and hard-to-find components to meet their specific needs.

With the principle of "Quality Parts,Customers Priority,Honest Operation,and Considerate Service",our business mainly focus on the distribution of electronic components. Line cards we deal with include Microchip,ALPS,ROHM,Xilinx,Pulse,ON,Everlight and Freescale. Main products comprise IC,Modules,Potentiometer,IC Socket,Relay,Connector.Our parts cover such applications as commercial,industrial, and automotives areas.

We are looking forward to setting up business relationship with you and hope to provide you with the best service and solution. Let us make a better world for our industry!



## Contact us

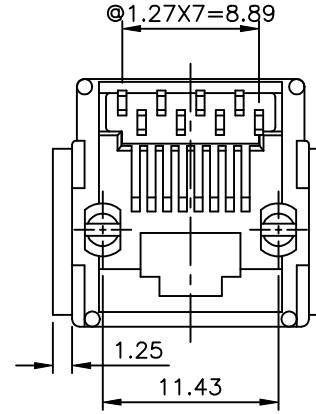
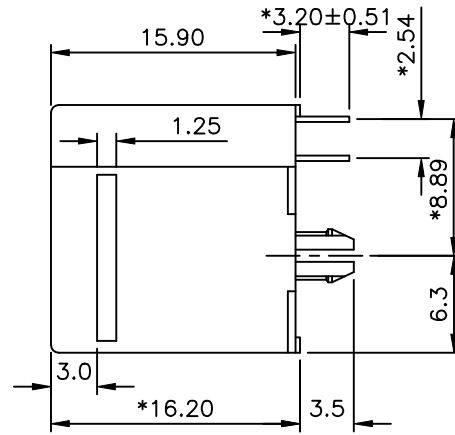
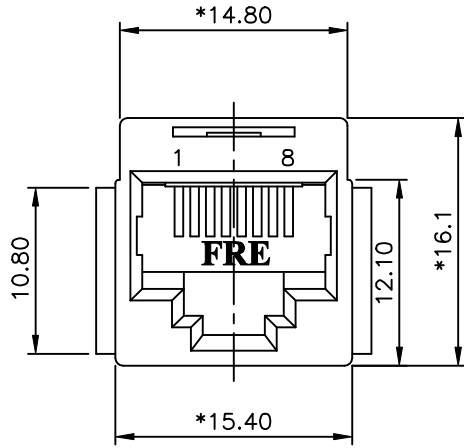
Tel: +86-755-8981 8866 Fax: +86-755-8427 6832

Email & Skype: info@chipsmall.com Web: www.chipsmall.com

Address: A1208, Overseas Decoration Building, #122 Zhenhua RD., Futian, Shenzhen, China



REVISION RECORD				
REV	ECO	DESCRIPTION	DRFT	CHKD
Δ		ADD P/N	JAMIN 11/2/05	



**NOTES:**

**ELECTRICAL:**

- 1. VOLTAGE RATING : 125 VAC RMS.
- 2. CURRENT RATING : 1.5 AMP.
- 3. CONTACT RESISTANCE : 45 MILLIOHMS MAX.
- 4. INSULATION RESISTANCE : 1000 MEGOHMS MIN @ 500 VDC.
- 5. DIELECTRIC STRENGTH : 1000 VAC RMS 60Hz, 1MIN.

**MECHANICAL:**

- 1. HOUSING MATERIAL : PBT+30% OR PBT+20% UL94V-0.
- 2. CONTACT MATERIAL : PHOSPHOR BRONZE t=0.35mm.
- 3. PLATING : GOLD PLATING OVER NICKEL.
- 4. OPERATING LIFE : 750 CYCLES MIN.
- 5. PCB RETENTION PRE-SOLDER : 1 LB MIN.
- 6. PCB RETENTION POST-SOLDER: 10 LBS MIN.

**ENVIRONMENTAL:**

- 1. STORAGE : -40°C TO +85°C.
- 2. OPERATION : 0°C TO +70°C.
- 3. WAVE SOLDERING TEMPERATURE: 230~250°C(5~10SECONDS)

MATES WITH MODULAR PLUG CONFORMING TO

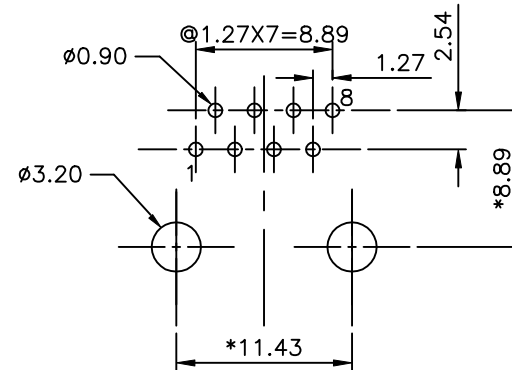
FCC PART 68, SUBPART F.

CUL FILE NO. E163191

ROHS PART NUMBER: E5288-X00XXX-L

- 3-W/ FRE LOGO
- R-W/O FRE LOGO
- 1- 3u"
- 3-15u"
- 5-50u"
- 2- 6u"
- 4-30u"
- 3-W/ PANNEL STOP
- 4-W/O PANNEL STOP

Δ U-PBT+20% BK  
V-PBT+30% BK



PC Board Layout Component Side Shown

MM (INCH)		DFTO ANKUE	DATE 03/28/05	<b>FULL RISE ELECTRONIC CO., LTD</b>	
TOLERANCES EXCEPT AS NOTED		CHKDANKUE	DATE 2005/11/2		
		MFO	DATE	TITLE (DIP & IMPROVED TYPE) RJ45 TOP ENTRY PCB JACK	
		APPVLLUSHENG	DATE 2005/11/2		
DETACHED LISTS		MATERIAL :		DRAWING NO. GE523100_LC /PART NO. SEE NOTE	
MM		FINISH :			
.0 ± 0.2		SCALE :		DO NOT SCALE DRAWING	
.00 ± 0.15		SHEET			
.000 ± 0.075		OF		SIZE A3 REV 1	
ANGLES ± 0.5					
THIRD ANGLE PROJECTION					