



Chipsmall Limited consists of a professional team with an average of over 10 year of expertise in the distribution of electronic components. Based in Hongkong, we have already established firm and mutual-benefit business relationships with customers from,Europe,America and south Asia,supplying obsolete and hard-to-find components to meet their specific needs.

With the principle of “Quality Parts,Customers Priority,Honest Operation,and Considerate Service”,our business mainly focus on the distribution of electronic components. Line cards we deal with include Microchip,ALPS,ROHM,Xilinx,Pulse,ON,Everlight and Freescale. Main products comprise IC,Modules,Potentiometer,IC Socket,Relay,Connector.Our parts cover such applications as commercial,industrial, and automotives areas.

We are looking forward to setting up business relationship with you and hope to provide you with the best service and solution. Let us make a better world for our industry!



Contact us

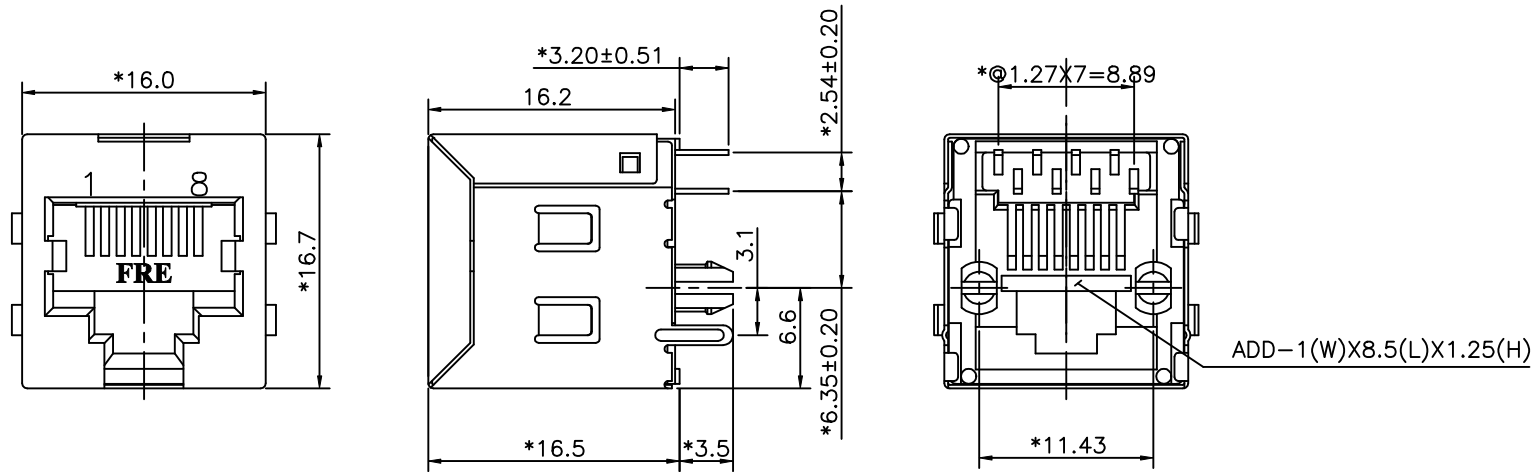
Tel: +86-755-8981 8866 Fax: +86-755-8427 6832

Email & Skype: info@chipsmall.com Web: www.chipsmall.com

Address: A1208, Overseas Decoration Building, #122 Zhenhua RD., Futian, Shenzhen, China



REVISION RECORD				
REV	ECO	DESCRIPTION	DRFT	CHKD



NOTES:

ELECTRICAL:

- VOLTAGE RATING : 125 VAC RMS.
- CURRENT RATING : 1.5 AMP.
- CONTACT RESISTANCE : 30 MILLIOHMS MAX.
- INSULATION RESISTANCE: 1000 MEGOHMS MIN @ 500 VDC.
- DIELECTRIC STRENGTH : 1000 VAC RMS 60Hz, 1MIN.

MECHANICAL:

- HOUSING MATERIAL : FR52 UL94V-0.
- HOUSING COLOR : BK.
- CONTACT MATERIAL : PHOSPHOR BRONZE t=0.35mm.
- PLATING : GOLD PLATING OVER NICKEL.
- OPERATING LIFE : 750 CYCLES MIN.
- PCB RETENTION PRE-SOLDER : 1 LB MIN.
- PCB RETENTION POST-SOLDER: 10 LBS MIN.

ENVIRONMENTAL:

- STORAGE : -40°C TO +85°C.
- OPERATION: 0°C TO 70°C.
- INFRARED SOLDER TEMPERATURE : 255°C TO 265°C 5-10SECOND.

MATES WITH MODULAR PLUG CONFORMING TO FCC PART 68, SUBPART F.

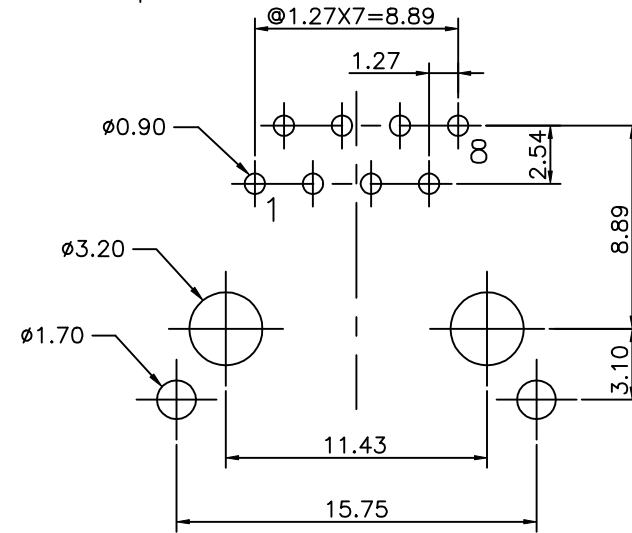
CUL FILE NO. E163191

ROHS PART NUMBER: E528X-XXOB4X-L

4-4C
8-8C
R-W/O FRE LOGO
3-W/ FRE LOGO

GOLD PLATING:
1- 3u" 2- 6u"
3-15u" 4-30u"
5-50u"

- 1- TIN PLATING,W/ SIDE TABS
- 2- NICKEL PLATING,W/ SIDE TABS
- S- TIN PLATING,W/O SIDE TABS
- T- NICKEL PLATING,W/O SIDE TABS



DETACHED LISTS	← MM (INCH) →		DFTO ANKUE	DATE 10/28/2005	FULL RISE ELECTRONIC CO., LTD	
	TOLERANCES EXCEPT AS NOTED		CHKD YICAN	DATE 2005/10/28		
	MM	±	MFO	DATE	TITLE RJ45 TOP ENTRY PCB JACK (DIP & IMPROVED TYPE)	
	.0 ±0.20	±	APPVLLUSHENG	DATE 2005/10/28		
	.00 ±0.15	±	MATERIAL :		DRAWING NO. GE523094-LA	
.000 ±0.075	±	ANGLES ±		/PART NO. SEE NOTE		
THIRD ANGLE PROJECTION		QTY :		SIZE A3		
		FINISH :		REV 0		
		SCALE : 3:1		DO NOT SCALE DRAWING		
				SHEET X OF Y		