



Chipsmall Limited consists of a professional team with an average of over 10 year of expertise in the distribution of electronic components. Based in Hongkong, we have already established firm and mutual-benefit business relationships with customers from,Europe,America and south Asia,supplying obsolete and hard-to-find components to meet their specific needs.

With the principle of “Quality Parts,Customers Priority,Honest Operation,and Considerate Service”,our business mainly focus on the distribution of electronic components. Line cards we deal with include Microchip,ALPS,ROHM,Xilinx,Pulse,ON,Everlight and Freescale. Main products comprise IC,Modules,Potentiometer,IC Socket,Relay,Connector.Our parts cover such applications as commercial,industrial, and automotives areas.

We are looking forward to setting up business relationship with you and hope to provide you with the best service and solution. Let us make a better world for our industry!



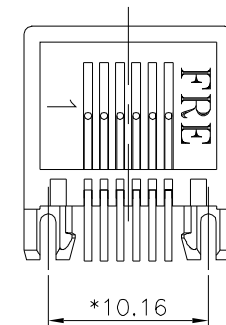
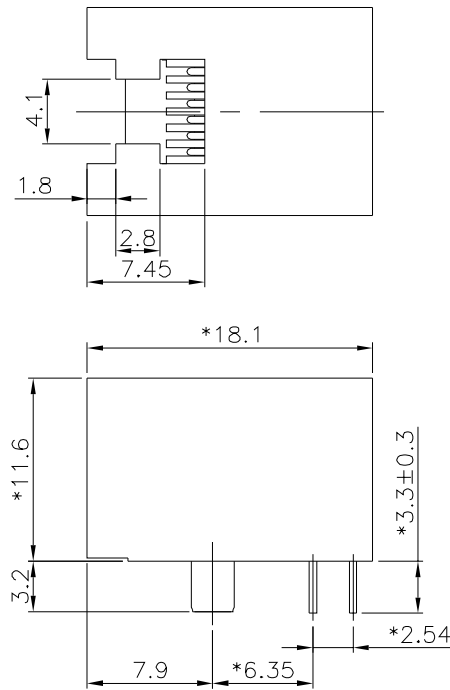
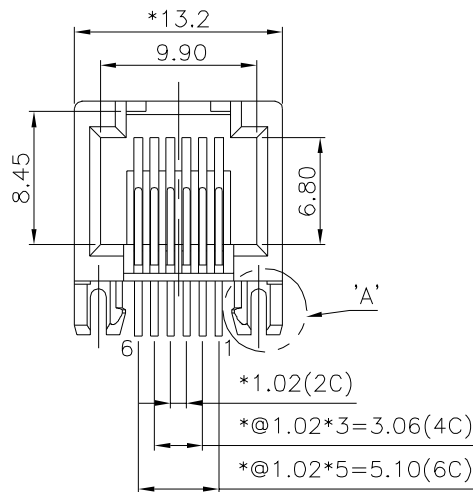
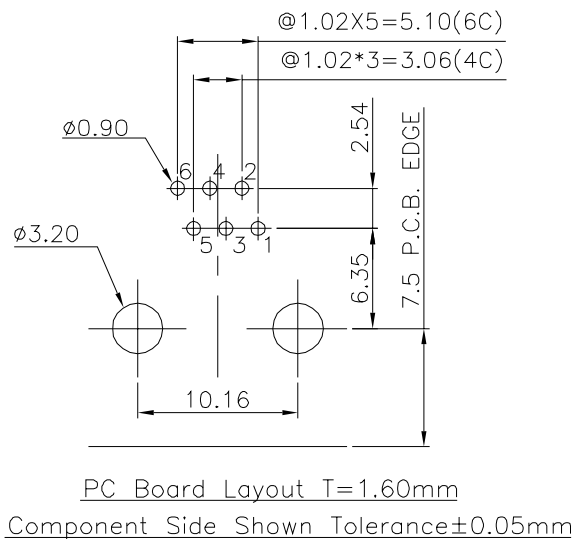
Contact us

Tel: +86-755-8981 8866 Fax: +86-755-8427 6832

Email & Skype: info@chipsmall.com Web: www.chipsmall.com

Address: A1208, Overseas Decoration Building, #122 Zhenhua RD., Futian, Shenzhen, China





NOTES:

ELECTRICAL:

- VOLTAGE RATING : 150 VAC RMS.
- CURRENT RATING : 1.5 AMP.
- CONTACT RESISTANCE : 20 MILLIOHMS MAX.
- INSULATION RESISTANCE: 1000 MEGOHMS MIN @ 500 VDC.
- DIELECTRIC STRENGTH : 1000 VAC RMS 60Hz, 1MIN.

MECHANICAL:

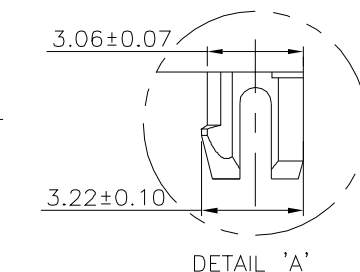
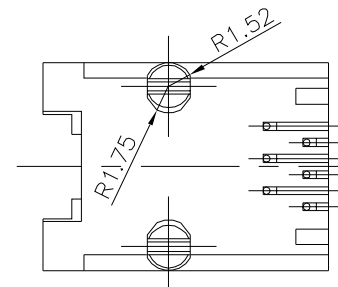
- HOUSING MATERIAL : PBT GLASS FILLED POLYESTER UL94V-0. COLOR GRAY
- CONTACT MATERIAL : PHOSPHOR BRONZE ϕ 0.46mm.
- PLATING : GOLD PLATING OVER NICKEL.
- OPERATING LIFE : 750 CYCLES MIN.
- PCB RETENTION PRE-SOLDER : 1 LB MIN.
- PCB RETENTION POST-SOLDER: 10 LBS MIN.

ENVIRONMENTAL:

- STORAGE TEMPERATURE : -40°C TO +85°C.
- OPERATION TEMPERATURE: -40°C TO +85°C.
- WAVE SOLDERING TEMPERATURE: 230-250°C(3-5 SECONDS).
- RoHS COMPLIANT.

MATES WITH MODULAR PLUG CONFORMING TO FCC PART 68, SUBPART F.

PART NUMBER	CONTACT	COLOR	GOLD PLATING
E5362-300NG2-L	2	GRAY	6u"
E5364-300NG2-L	4	GRAY	6u"
E5366-300NG2-L	6	GRAY	6u"



DETAIL 'A'

DETACHED LISTS	MM (INCH)	RoHS Compliant					
	TOLERANCES EXCEPT AS NOTED		TITLE				
	MM		11.5mm SIDE PCB JACK 6P				
	.0 ± 0.2	±	DFTO Cothy		DRAWING NO. CE533A42-LC	SIZE	REV
	.00 ± 0.15	±	DATE 08/21/2006		/PART NO. SEE TABLE	A3	O
	.000 ± 0.075	±	SCALE : 3:1		DO NOT SCALE DRAWING	SHEET 1	OF 1
	ANGLES ± 0.5		THIRD ANGLE PROJECTION				