



Chipsmall Limited consists of a professional team with an average of over 10 year of expertise in the distribution of electronic components. Based in Hongkong, we have already established firm and mutual-benefit business relationships with customers from,Europe,America and south Asia,supplying obsolete and hard-to-find components to meet their specific needs.

With the principle of "Quality Parts,Customers Priority,Honest Operation,and Considerate Service",our business mainly focus on the distribution of electronic components. Line cards we deal with include Microchip,ALPS,ROHM,Xilinx,Pulse,ON,Everlight and Freescale. Main products comprise IC,Modules,Potentiometer,IC Socket,Relay,Connector.Our parts cover such applications as commercial,industrial, and automotives areas.

We are looking forward to setting up business relationship with you and hope to provide you with the best service and solution. Let us make a better world for our industry!



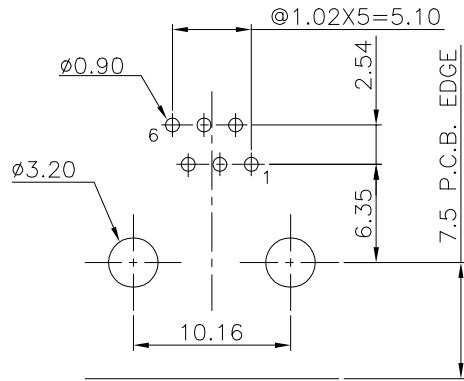
Contact us

Tel: +86-755-8981 8866 Fax: +86-755-8427 6832

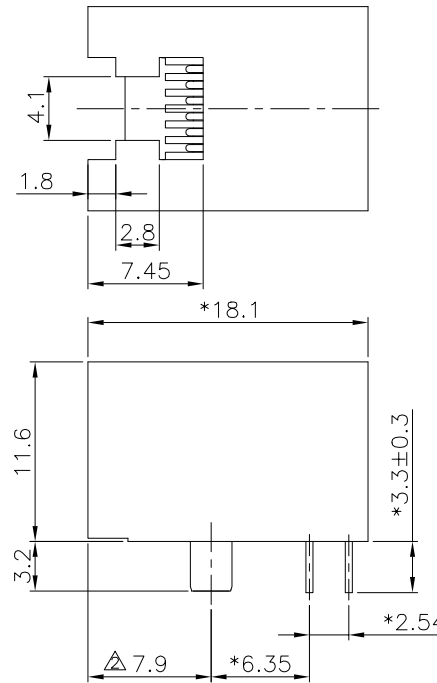
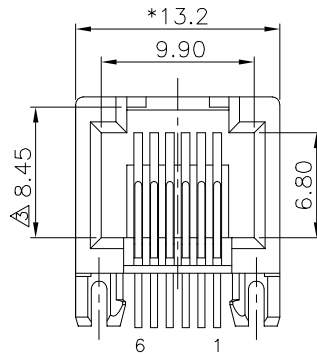
Email & Skype: info@chipsmall.com Web: www.chipsmall.com

Address: A1208, Overseas Decoration Building, #122 Zhenhua RD., Futian, Shenzhen, China





PC Board Layout t=1.60mm
Component Side Shown



REVISION RECORD				
REV	ECO	DESCRIPTION	DRFT	CHKD
△		DRAWING MODIFY	JACKEY 7/1/99	
△		7.9 was 8.0	JACKEY 7/14/99	H
△		Add P/N	LUSHENG 01/16/01	
△		DRAWING MODIFY	CZH 7/15/02	
△		DRAWING MODIFY	CZH 02/08/03	
△		DRAWING MODIFY	SAMMY 02/02/04	
△		Add P/N	Ying 21/05/04	
△		Add P/N	SHE 7/13/04	G
△		Add P/N	CXG 5/05/05	

NOTES:

ELECTRICAL:

1. VOLTAGE RATING : 150 VAC RMS.
2. CURRENT RATING : 1.5 AMP.
3. CONTACT RESISTANCE : 20 MILLIOHMS MAX.
- △ 4. INSULATION RESISTANCE: 1000 MEGOHMS MIN @ 500 VDC.
5. DIELECTRIC STRENGTH : 1000 VAC RMS 60Hz, 1MIN.

MECHANICAL:

1. HOUSING MATERIAL : GLASS FILLED POLYESTER UL94V-0.
2. CONTACT MATERIAL : PHOSPHOR BRONZE ϕ 0.46mm.
3. PLATING : GOLD PLATING OVER NICKEL.
- △ 4. OPERATING LIFE : 750 CYCLES MIN.
5. PCB RETENTION PRE-SOLDER : 1 LB MIN.
6. PCB RETENTION POST-SOLDER: 10 LBS MIN.

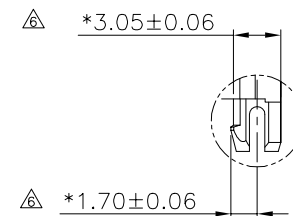
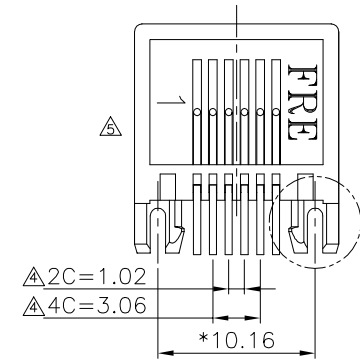
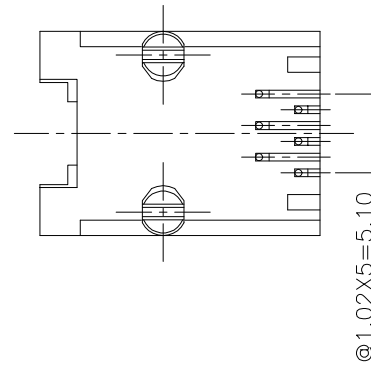
ENVIRONMENTAL:

1. STORAGE : -40°C TO +85°C.
 2. OPERATION: -20°C TO 85°C.
- MATES WITH MODULAR PLUG CONFORMING TO FCC PART 68, SUBPART F.
CUL FILE NO. E163191

PART NUMBER: E536X-300XGX

2- 2C
4- 4C
6- 6C

- 1- 3u" 2- 6u" 3-15u"
4- 30u" 5-50u" F-Glod flash[△]
- △ MATERIAL OF HS'G :
0- PBT + G.F.BK.
△ 4-FR50 BK
△ 5-FR52 BK



DETACHED LISTS	← MM (INCH) →	DFTO BASS	DATE 8/28/98	FULL RISE ELECTRONIC CO., LTD	
	TOLERANCES EXCEPT AS NOTED	CHKD	DATE		
	MM	MFO	DATE	TITLE 11.5mm SIDE PCB JACK 6P	
	.0 ±0.2	APPVL XLF	DATE 05/05/05		
.00 ±0.15	MATERIAL :	QT'Y :	DRAWING NO. GE533022	SIZE A3	REV 9
.000 ±0.075	ANGLES ± 0.5	FINISH :	/PART NO. SEE NOTE		
THIRD ANGLE PROJECTION	SCALE : 3 : 1	DO NOT SCALE DRAWING	SHEET 1	OF 1	