



Chipsmall Limited consists of a professional team with an average of over 10 year of expertise in the distribution of electronic components. Based in Hongkong, we have already established firm and mutual-benefit business relationships with customers from,Europe,America and south Asia,supplying obsolete and hard-to-find components to meet their specific needs.

With the principle of “Quality Parts,Customers Priority,Honest Operation,and Considerate Service”,our business mainly focus on the distribution of electronic components. Line cards we deal with include Microchip,ALPS,ROHM,Xilinx,Pulse,ON,Everlight and Freescale. Main products comprise IC,Modules,Potentiometer,IC Socket,Relay,Connector.Our parts cover such applications as commercial,industrial, and automotives areas.

We are looking forward to setting up business relationship with you and hope to provide you with the best service and solution. Let us make a better world for our industry!



Contact us

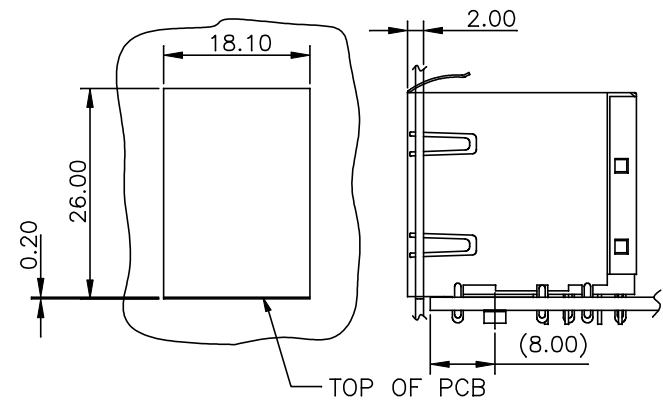
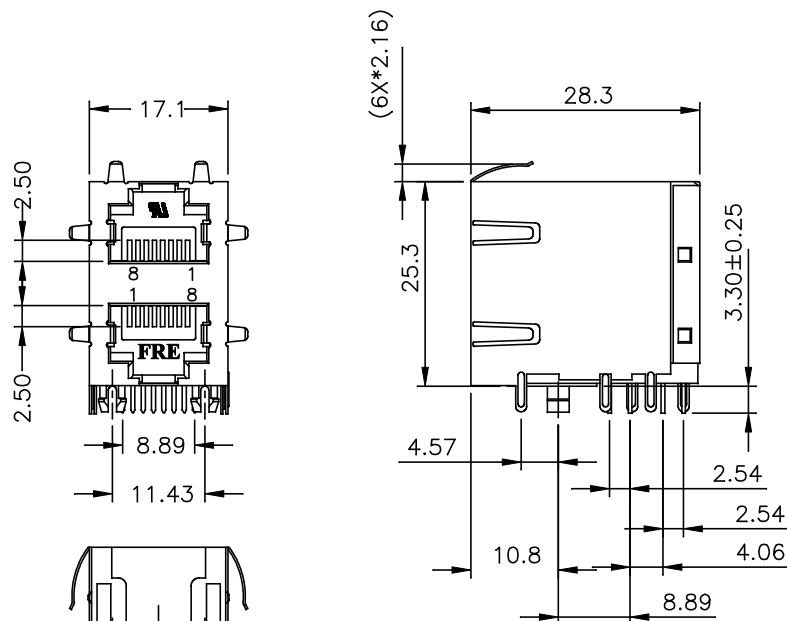
Tel: +86-755-8981 8866 Fax: +86-755-8427 6832

Email & Skype: info@chipsmall.com Web: www.chipsmall.com

Address: A1208, Overseas Decoration Building, #122 Zhenhua RD., Futian, Shenzhen, China



REVISION RECORD		
REV	DESCRIPTION	DRFT
1	ADD HEIGHT DIM OF TABS	VICTOR



TOLERANCE: ±0.10
RECOMMENDED PANEL CUT OUT

NOTES:

ELECTRICAL:

- VOLTAGE RATING : 125 VAC RMS.
- CURRENT RATING : 1.5 AMP.
- CONTACT RESISTANCE : 60 MILLIOHMS MAX.
- INSULATION RESISTANCE: 1000 MEGOHMS MIN @ 500 VDC.
- DIELECTRIC STRENGTH : 1000 VDC RMS 60Hz, 1MIN.

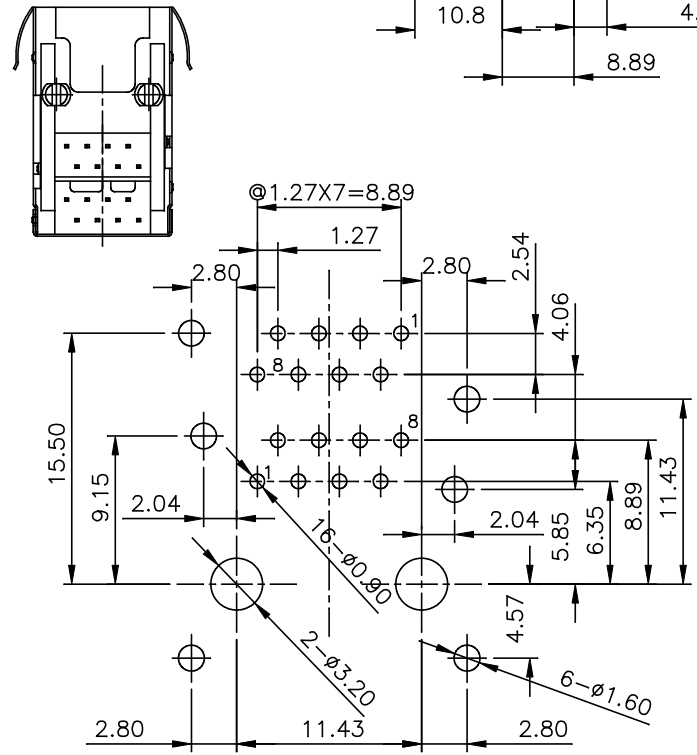
MECHANICAL:

- HOUSING MATERIAL : GLASS FIBER FILLED NYLON, UL94V-0/BLACK.
- INSERT MATERIAL : GLASS FIBER FILLED NYLON, UL94V-0/BLACK.
- CONTACT MATERIAL : PHOSPHOR BRONZE t=0.35mm.
- SHIELD MATERIAL : COPPER ALLOY WITH NICKEL PLATING.
- PLATING : GOLD PLATING OVER NICKEL.
- OPERATING LIFE : 750 CYCLES MIN.
- PCB RETENTION PRE-SOLDER : 1 LB MIN.
- PCB RETENTION POST-SOLDER: 10 LBS MIN.

ENVIRONMENTAL:

- STORAGE : -40°C TO +85°C.
- OPERATION: -40°C TO +85°C.
- WAVE SOLDERING TEMPERATURE: 255°C~265°C (5~10 SECONDS).
- RoHS COMPLIANT.

MATES WITH MODULAR PLUG CONFORMING TO
FCC PART 68, SUBPART F.
CUL FILE NO. E163191.



PC BOARD LAYOUT T=1.60mm
COMPONENT SIDE SHOWN
TOLERANCES ±0.05mm

E5908-4V0S54-L	30u"
PART NO.	Au PLATING

DETACHED LISTS			RoHS Compliant				
	TOLERANCES EXCEPT AS NOTED		TITLE				
	MM		STAMPED PIN III W/SHIELD JACK, 2X1				
	.0 ± 0.25	±	DFTO :	ELLA	DRAWING NO.	CE5908-4V0S5X-L	SIZE
.00 ± 0.20	±	DATE :	11/07/2012	/PART NO.	E5908-4V0S54-L	A3	1
.000 ± 0.10	±	SCALE :	1.5:1	DO NOT SCALE DRAWING		SHEET	1 OF 1
ANGLES ± 1°		THIRD ANGLE PROJECTION					