



Chipsmall Limited consists of a professional team with an average of over 10 year of expertise in the distribution of electronic components. Based in Hongkong, we have already established firm and mutual-benefit business relationships with customers from,Europe,America and south Asia,supplying obsolete and hard-to-find components to meet their specific needs.

With the principle of “Quality Parts,Customers Priority,Honest Operation,and Considerate Service”,our business mainly focus on the distribution of electronic components. Line cards we deal with include Microchip,ALPS,ROHM,Xilinx,Pulse,ON,Everlight and Freescale. Main products comprise IC,Modules,Potentiometer,IC Socket,Relay,Connector.Our parts cover such applications as commercial,industrial, and automotives areas.

We are looking forward to setting up business relationship with you and hope to provide you with the best service and solution. Let us make a better world for our industry!



Contact us

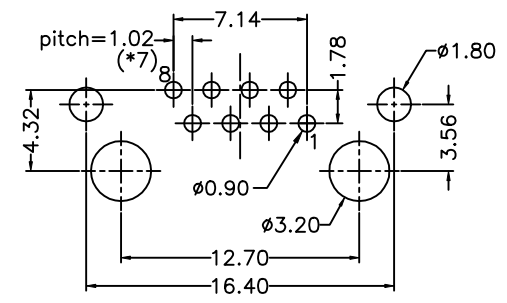
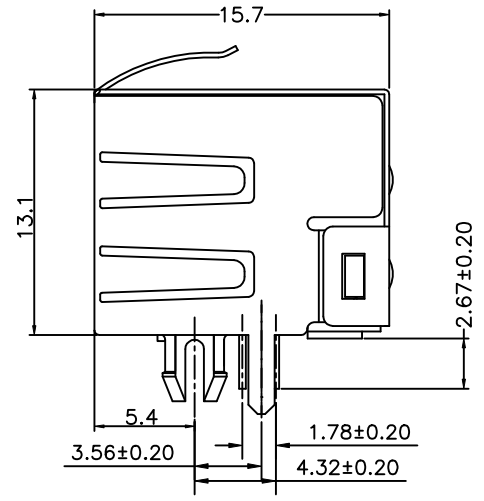
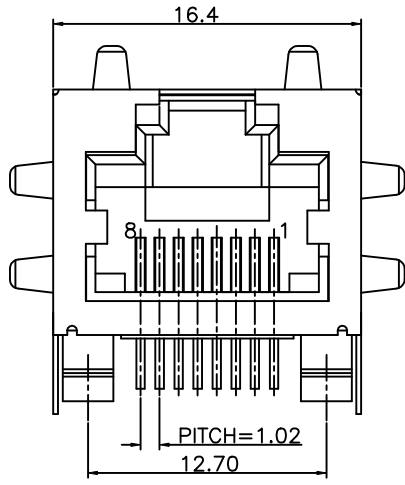
Tel: +86-755-8981 8866 Fax: +86-755-8427 6832

Email & Skype: info@chipsmall.com Web: www.chipsmall.com

Address: A1208, Overseas Decoration Building, #122 Zhenhua RD., Futian, Shenzhen, China



REVISION RECORD				
REV	ECO	DESCRIPTION	DRFT	CHKD



PCB (t=1.60mm) Layout
Component Side Shown

NOTES:

ELECTRICAL:

1. VOLTAGE RATING : 125 VAC RMS.
2. CURRENT RATING : 1.5 AMP.
3. CONTACT RESISTANCE : 30 MILLIOHMS MAX.
4. INSULATION RESISTANCE: 1000 MEGOHMS MIN @ 500 VDC.
5. DIELECTRIC STRENGTH : 1000 VAC RMS 60Hz, 1MIN.
6. OPERATING: 750 CYCLES MIN.

MECHANICAL:

1. HOUSING MATERIAL : PBT+30%.G.F UL94V-0 COLOR-BLACK.
2. INSERT MATERIAL : PBT+30%GF UL94V-0 COLOR-BLACK.
3. BACK PLATE MATERIAL : PBT+30%GF COLOR-BLACK.
4. SHIELD MATERIAL : COPPER ALLOY 0.25mm THICKNESS PLATING NI.
5. CONTACT MATERIAL : PHOSPHOR BRONZE 0.35mm THICKNESS OR $\phi 0.46$ mm.LEAD FREE.
6. PLATING : GOLD PLATING OVER NICKEL.
7. PCB RETENTION PRE-SOLDER : 1 LB MIN.
8. PCB RETENTION POST-SOLDER: 10 LBS MIN.

ENVIRONMENTAL:

1. STORAGE : -40°C TO +85°C.
2. OPERATION: 0°C TO 70°C.
3. WAVE SOLDERING TEMPERATURE: 230~250°C(3~5 SECONDS)

MATES WITH MODULAR PLUG CONFORMING TO

FCC PART 68, SUBPART F.
CUL FILE NO. E163191

DOHS PART NUMBER: E 5J 8 8 - X X L O X X -L

0-NO.LED
6-HS'G&SHIELD NO LED

PLATING:1-3u" 2-6u" 3-15u"
4-30u" 5-50u"

A-TIN SHIELD STAMPED PIN
B-NI SHIELD STAMPED PIN
F-NI SHIELD ROUND PIN ($\phi 0.46$)

PBT+30%(A06-1490)

0-W/O SHIELD 1-NO TAB
2-TOP TABS. 3-SIDE TABS.
4-TOP TABS & SIDE TABS.

DETACHED LISTS	MM (INCH)		DFTO YANGLAN DATE 05/25/05
	TOLERANCES EXCEPT AS NOTED		CHKD JAKE DATE 2006/9/25
	MFO DATE		DATE
	APPV LUSHENQ DATE 2006/5/25		DATE
MM	±	MATERIAL :	
.0 ± 0.20	±	QTY :	
.00 ± 0.15	±	FINISH :	
.000 ± 0.075	±	SCALE :	
ANGLES ±	THIRD ANGLE PROJECTION		

FULL RISE ELECTRONIC CO., LTD			
TITLE RJ45 W/O LED JACK			
DRAWING NO. GE5J3A11-LC		SIZE A3	REV 0
/PART NO. SEE NOTE		DO NOT SCALE DRAWING	
SHEET 1		OF 1	