



Chipsmall Limited consists of a professional team with an average of over 10 year of expertise in the distribution of electronic components. Based in Hongkong, we have already established firm and mutual-benefit business relationships with customers from,Europe,America and south Asia,supplying obsolete and hard-to-find components to meet their specific needs.

With the principle of “Quality Parts,Customers Priority,Honest Operation,and Considerate Service”,our business mainly focus on the distribution of electronic components. Line cards we deal with include Microchip,ALPS,ROHM,Xilinx,Pulse,ON,Everlight and Freescale. Main products comprise IC,Modules,Potentiometer,IC Socket,Relay,Connector.Our parts cover such applications as commercial,industrial, and automotives areas.

We are looking forward to setting up business relationship with you and hope to provide you with the best service and solution. Let us make a better world for our industry!



Contact us

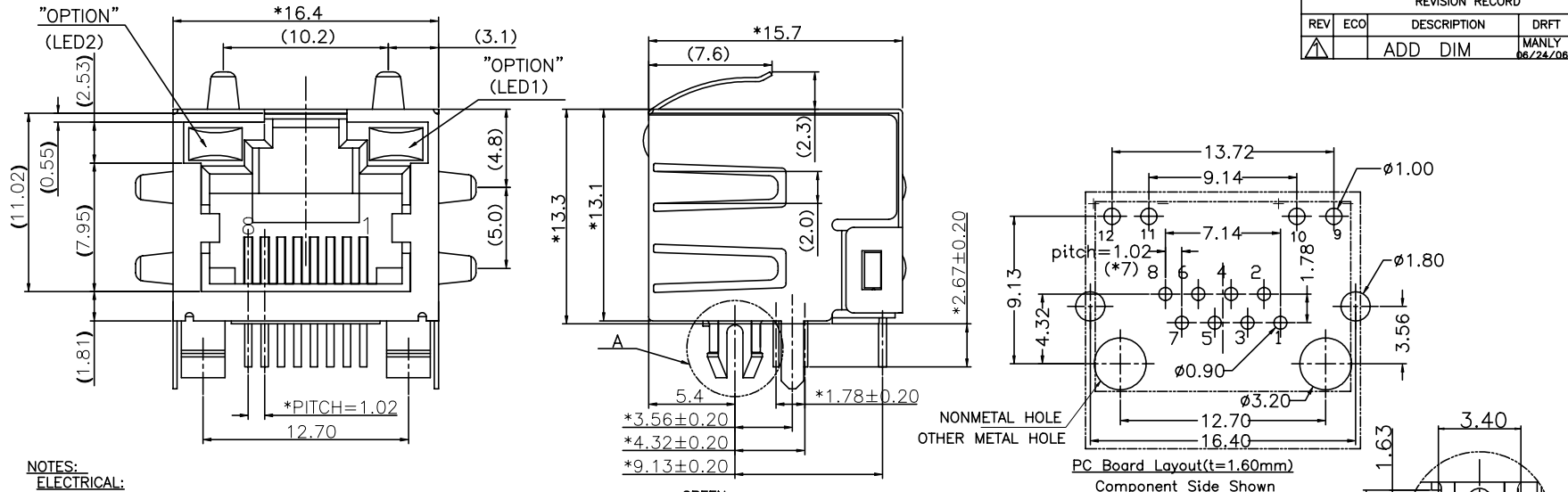
Tel: +86-755-8981 8866 Fax: +86-755-8427 6832

Email & Skype: info@chipsmall.com Web: www.chipsmall.com

Address: A1208, Overseas Decoration Building, #122 Zhenhua RD., Futian, Shenzhen, China



REVISION RECORD				
REV	ECO	DESCRIPTION	DRFT	CHKD
▲		ADD DIM	MANLY	06/24/08*



NOTES:

ELECTRICAL:

- VOLTAGE RATING : 125 VAC RMS.
- CURRENT RATING : 1.5 AMP.
- CONTACT RESISTANCE : 30 MILLIOHMS MAX.
- INSULATION RESISTANCE: 1000 MEGOHMS MIN @ 500 VDC.
- DIELECTRIC STRENGTH : 1000 VAC RMS 60Hz, 1MIN.
- LED RATINGS: FORWARD VOLTAGE: 2.2 VOLTS TYPICAL.
REVERSE VOLTAGE: 5 VOLTS MINIMUM.
- OPERATING: 750 CYCLES MIN.

MECHANICAL:

- HOUSING MATERIAL : FR52 UL94-0
- INSERT MATERIAL : FR52 UL94V-0
- BACK PLATE MATERIAL : 3.2*2.0*7.0*P=2.54mm.
- LED SIZE : FR52 UL94V-0.
- SHIELD MATERIAL : GOLD PLATING OVER NICKEL.
- CONTACT MATERIAL : COPPER ALLOY 0.25mm THICKNESS PLATING NI.
- PLATING : PHOSPHOR BRONZE 0.35mm THICKNESS OR Ø0.46.
- PCB RETENTION PRE-SOLDER : 1 LB MIN.
- PCB RETENTION POST-SOLDER: 10 LBS MIN.

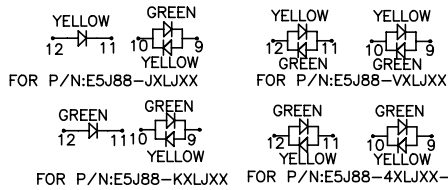
ENVIRONMENTAL:

- STORAGE : -40°C TO +85°C.
- OPERATION: -40°C TO +85°C.
- WAVE SOLDERING TEMPERATURE: 225~265° (5~10 SECONDS)

MATES WITH MODULAR PLUG CONFORMING TO

FCC PART 68, SUBPART F.

CUL FILE No:E163191



PART NUMBER: E 5J 8 8 - X X L J X X -L

- 1-LED1:GREEN ,LED2:YELLOW
- 2-LED1:GREEN ,LED2:GREEN
- 3-LED1:YELLOW ,LED2:GREEN
- 4-LED1:G+Y ,LED2:G+Y
- 5-LED1:RED ,LED2:GREEN
- 7-LED1:YELLOW ,LED2:YELLOW
- J-LED1: G+Y ,LED2:YELLOW
- E-LED1: GREEN ,LED2:RED
- K-LED1:G+Y ,LED2:GREEN
- V-LED1:Y+G ,LED2:Y+G

- PLATING:1-3u" 2-6u" 3-15u" 4-30u" 5-50u"
- 1-Plate Tin shield stamp pin,led long 7.0mm
- 2-Plate Ni shield stamp pin,led long 7.0mm
- 3-Plate Tin shield round pin,led long 7.0mm
- 4-Plate Ni shield round pin,led long 7.0mm

- 1-NO TAB
- 2-TOP TABS
- 3-SIDE TABS
- 4-TOP TABS & SIDE TABS

J-W/O LOGO FR52

DETACHED LISTS	MM (INCH)	DFTO PETERS	DATE 03/19/05
	TOLERANCES EXCEPT AS NOTED	CHKD	DATE
		MFO	DATE
		APPLVloscar	DATE 12/07/06*
	MM	MATERIAL :	
	ANGLES ±	QTY :	
		FINISH :	
	THIRD ANGLE PROJECTION	SCALE : 3:1	DO NOT SCALE DRAWING

FULL RISE ELECTRONIC CO., LTD

TITLE
RJ45 SIDE ENTRY LED JACK

DRAWING NO. GE5J3015-LA	SIZE A3	REV 1
/PART NO. SEE NOTE	03/0905*	
SHEET 1		OF 1