



Chipsmall Limited consists of a professional team with an average of over 10 year of expertise in the distribution of electronic components. Based in Hongkong, we have already established firm and mutual-benefit business relationships with customers from,Europe,America and south Asia,supplying obsolete and hard-to-find components to meet their specific needs.

With the principle of “Quality Parts,Customers Priority,Honest Operation,and Considerate Service”,our business mainly focus on the distribution of electronic components. Line cards we deal with include Microchip,ALPS,ROHM,Xilinx,Pulse,ON,Everlight and Freescale. Main products comprise IC,Modules,Potentiometer,IC Socket,Relay,Connector.Our parts cover such applications as commercial,industrial, and automotives areas.

We are looking forward to setting up business relationship with you and hope to provide you with the best service and solution. Let us make a better world for our industry!



Contact us

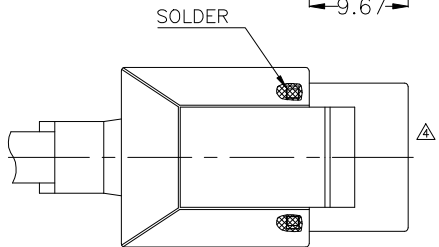
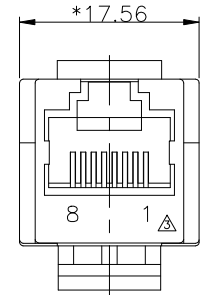
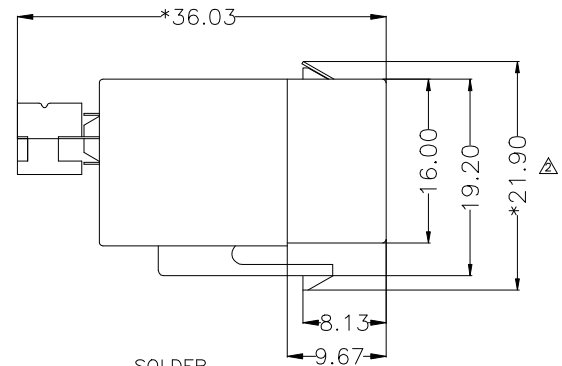
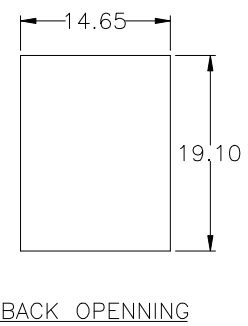
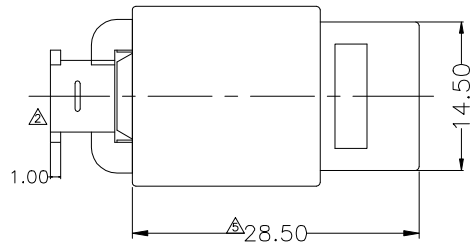
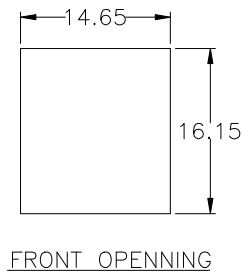
Tel: +86-755-8981 8866 Fax: +86-755-8427 6832

Email & Skype: info@chipsmall.com Web: www.chipsmall.com

Address: A1208, Overseas Decoration Building, #122 Zhenhua RD., Futian, Shenzhen, China



REVISION RECORD				
REV	ECO	DESCRIPTION	DRFT	CHKD
1		ADD PART NO.	Garvey 9/16/00*	
2		DIMISION MODIFY	zing 07/08/'01	
3		DRAWING MODIFY	LWL 11/26/'02	
4		ADD PART NO.	CHI 05/05/03	
5		DRAWING MODIFY	COKE 10/27/03	
6		ADD PART NO.	CECILIA 3/03/04*	



IDC Connect Modular Jack

These jacks are available in two versions to meet either shielded or unshielded application requirements on twisted pair cable. They are also available in the two most commonly used wiring schemes.

They are perfectly design to use with wallplates, faceplates and patch panels.

NOTE:

1. PART NUMBER: E6188-X1X025

- 1- T568A
- 2- T568B
- 1- AWG # 22
- 2- AWG # 24
- 3- AWG # 26With Strand Wire
- 4- AWG # 30

- E6188-X1X025-L WITH NO LEAD
- 1- T568A
 - 2- T568B
 - 1- AWG # 22
 - 2- AWG # 24
 - 3- AWG # 26With Strand Wire
 - 4- AWG # 30

MM (INCH) TOLERANCES EXCEPT AS NOTED .0 ±0.20 .00 ±0.15 .000 ±0.075		DFTO JAME CHKD ZY MFO APPVL SHY	DATE 01/06/'98 DATE 2004/3/3 DATE DATE 2004/3/3	FULL RISE ELECTRONIC CO., LTD	
ANGLES ± THIRD ANGLE PROJECTION		MATERIAL : FINISH : SCALE : 2:1	QTY : DO NOT SCALE DRAWING	TITLE FULLY SHIELDED CAT.5 KEYSTONE JACK	
DRAWING NO. GE613001 /PART NO. SEE NOTE			SHEET X OF Y	SIZE A3	REV 6 3/03/04*