



Chipsmall Limited consists of a professional team with an average of over 10 year of expertise in the distribution of electronic components. Based in Hongkong, we have already established firm and mutual-benefit business relationships with customers from,Europe,America and south Asia,supplying obsolete and hard-to-find components to meet their specific needs.

With the principle of “Quality Parts,Customers Priority,Honest Operation,and Considerate Service”,our business mainly focus on the distribution of electronic components. Line cards we deal with include Microchip,ALPS,ROHM,Xilinx,Pulse,ON,Everlight and Freescale. Main products comprise IC,Modules,Potentiometer,IC Socket,Relay,Connector.Our parts cover such applications as commercial,industrial, and automotives areas.

We are looking forward to setting up business relationship with you and hope to provide you with the best service and solution. Let us make a better world for our industry!



## Contact us

Tel: +86-755-8981 8866 Fax: +86-755-8427 6832

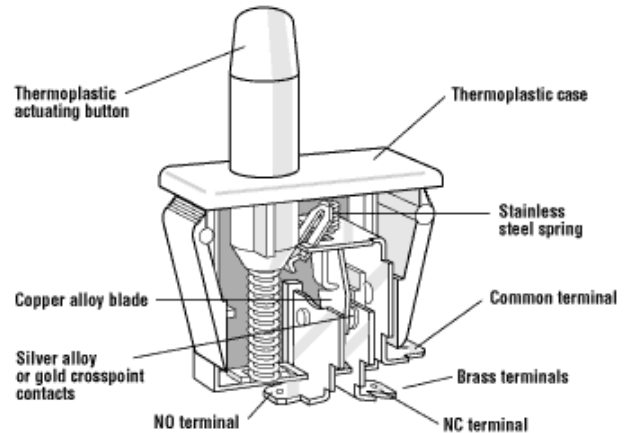
Email & Skype: info@chipsmall.com Web: www.chipsmall.com

Address: A1208, Overseas Decoration Building, #122 Zhenhua RD., Futian, Shenzhen, China



# PANEL MOUNT PUSHBUTTON – SINGLE POLE

## E65-E69 Series



### Features

- Choice of Momentary, Push-Pull (reset) and Cheat Interlock
- Long life coil spring, snap action mechanism
- Agency approved extended life versions available
- Snap in mounting
- VDE available on select models
- RoHS Compliant

Electrical Ratings and Operating Life				
Switch Series	According to EN61058-1		According to UL1054	
	Nominal Load	Operation cycles	Nominal Load	Operation cycles
E65	N/A	N/A	16A, 125/250VAC; 1/3HP; 125/250VAC	6,000
E68 F68	N/A 0.1(0.05)A, 125VAC	N/A 50,000	0.1A, 125VAC	6,000 *
E69 F69	N/A 10(4)A, 250VAC	N/A 50,000	10A, 125/250VAC; 1/3HP, 125/250VAC	6,000 *

\* Extended life UL versions available. Contact factory for more information. Special part number required.

Technical Specifications		Material Specifications	
Temperature Rating:	-40°C to 85°C	Case:	Thermoplastic Polyester
Flammability Rating	UL94V-0	Actuator button:	Thermoplastic Acetal
Terminals	Up to 10A: 0.187" x 0.020" 16A: 0.250" x 0.032"	Terminals:	Brass (Common Ag plated)
	VDE versions: 0.0187" x 0.032"	Moving Blade:	Beryllium Copper
UL File Number:	E23301	Spring:	Stainless Steel
		Contacts:	Silver-CdO: E65, E/F69 Gold Crosspoint: E/F68

Specifications subject to change

Optional

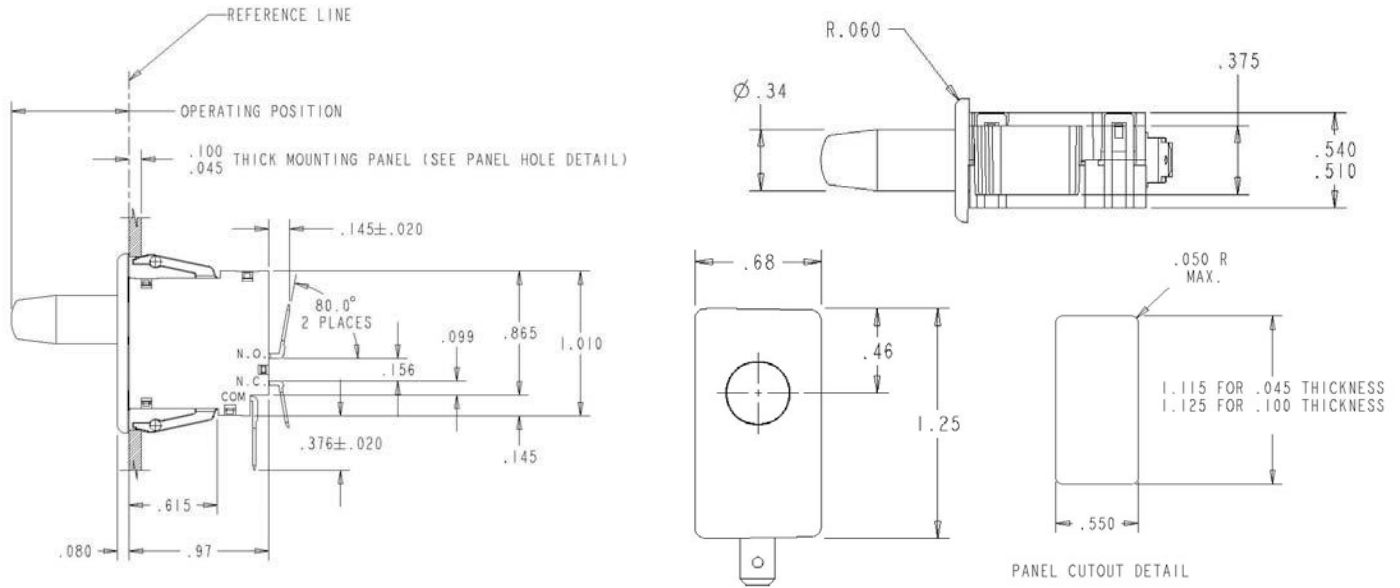




PANELMOUNT PUSHBUTTON – SINGLE POLE

# E65-E69 Series

Dimensions - inches



**Commonly Stocked Distributor Items / Preferred Part Numbers**

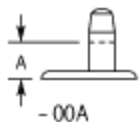
Item Number	EN Rating	UL Rating	Button Style	Rest Position Inches (mm)	Maximum Pretravel inches (mm)	Operating Point Inches (mm)	Minimum Overtravel inches (mm)	Max. Movement Differential Inches (mm)	Maximum Operating Force (grams)	Maximum Full Overtravel Inches (mm)
0E6500A0	N/A	16A, 125/250 VAC; 1/3HP, 125/250VAC	Momentary	0.845 - 0.905 21.46 - 22.99	0.125 (3.18)	0.720-0.820 (18.29 - 20.83)	0.375 (9.53)	0.045 (1.14)	708	0.400 (10.16)
0E6900A0	N/A	0.1A 125VAC	Momentary	0.845 - 0.905 21.46 - 22.99	0.125 (3.18)	0.720-0.820 (18.29 - 20.83)	0.375 (9.53)	0.045 (1.14)	425	0.400 (10.16)
0E6830A0	N/A	0.1A 125VAC	Momentary	0.730 - 0.790 18.54 - 20.07	0.125 (3.18)	0.610 - 0.710 (15.49 - 18.03)	0.100 (2.54)	0.045 (1.14)	425	0.520 (13.21)
			Pull to Cheat	0.730 - 0.790 (18.54 - 20.07)	0.125 (3.18)	0.800 - 0.900 20.32 - 22.86	0.050 (1.27)	0.060 (1.52)	585	0.980 (24.89)
0E6940A0	N/A	0.1A 125VAC	Momentary	0.420 - 0.480 (10.67 - 12.19)	0.125 (3.18)	0.300 - 0.400 (7.62 - 10.16)	0.175 (4.45)	0.045 (1.14)	425	0.125 (3.18)
0E6900A0	N/A	10A, 125/250VAC; 1/3HP 125/250VAC	Momentary	0.845 - 0.905 21.46 - 22.99	0.125 (3.18)	0.720-0.820 (18.29 - 20.83)	0.375 (9.53)	0.045 (1.14)	425	0.400 (10.16)
0E6930A0	N/A	10A, 125/250VAC; 1/3HP 125/250VAC	Momentary	0.730 - 0.790 18.54 - 20.07	0.125 (3.18)	0.610 - 0.710 (15.49 - 18.03)	0.100 (2.54)	0.045 (1.14)	425	0.520 (13.21)
			Pull to Cheat	0.730 - 0.790 (18.54 - 20.07)	0.125 (3.18)	0.800 - 0.900 20.32 - 22.86	0.050 (1.27)	0.060 (1.52)	585	0.980 (24.89)
0E6940A0	N/A	10A, 125/250VAC; 1/3HP 125/250VAC	Momentary	0.420 - 0.480 (10.67 - 12.19)	0.125 (3.18)	0.300 - 0.400 (7.62 - 10.16)	0.175 (4.45)	0.045 (1.14)	425	0.125 (3.18)



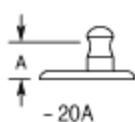
# PANELMOUNT PUSHBUTTON – SINGLE POLE

# E65-E69 Series

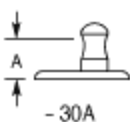
## Button Details



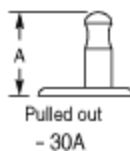
Basic Momentary



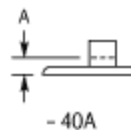
Push-Pull (Reset)



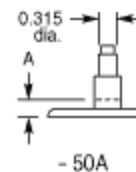
Momentary



Cheat Interlock



Short Button Momentary



Momentary - For Auxiliary Push Button

“A” dimension is full overtravel dimension – see above

## Ordering Information

Select the desired contact rating

**E69**

Combine with the button style

**40A**

Full part number

**E69-40A**

*For single throw versions:*

Select the desired contact rating

**E69**

Combine with the button style

**40A**

SPST – NO

**E69-41A**  
(Add 1 to suffix)

SPST - NC

**E69-42A**  
(Add 2 to suffix)

## Contact

Call, fax or visit our Website for more information.

**ZF Electronics Corporation**  
11200 88th Avenue  
Pleasant Prairie, WI 53158

Phone: 262.942.6500  
Web: [www.switches-sensors.zf.com](http://www.switches-sensors.zf.com)  
Email: [switches-sensors@zf.com](mailto:switches-sensors@zf.com)  
Fax: 262.942.6566

The manufacturer accepts no liability for errors or non-availability, and reserves the right to change specifications without prior notice.

Technical data relates to product specifications only. Features may differ from those described. Only drawings combined with product specifications shall be deemed binding.

© 2007 ZF Electronics Corporation

Last Updated: 070711

