



Chipsmall Limited consists of a professional team with an average of over 10 year of expertise in the distribution of electronic components. Based in Hongkong, we have already established firm and mutual-benefit business relationships with customers from,Europe,America and south Asia,supplying obsolete and hard-to-find components to meet their specific needs.

With the principle of “Quality Parts,Customers Priority,Honest Operation,and Considerate Service”,our business mainly focus on the distribution of electronic components. Line cards we deal with include Microchip,ALPS,ROHM,Xilinx,Pulse,ON,Everlight and Freescale. Main products comprise IC,Modules,Potentiometer,IC Socket,Relay,Connector.Our parts cover such applications as commercial,industrial, and automotives areas.

We are looking forward to setting up business relationship with you and hope to provide you with the best service and solution. Let us make a better world for our industry!



Contact us

Tel: +86-755-8981 8866 Fax: +86-755-8427 6832

Email & Skype: info@chipsmall.com Web: www.chipsmall.com

Address: A1208, Overseas Decoration Building, #122 Zhenhua RD., Futian, Shenzhen, China

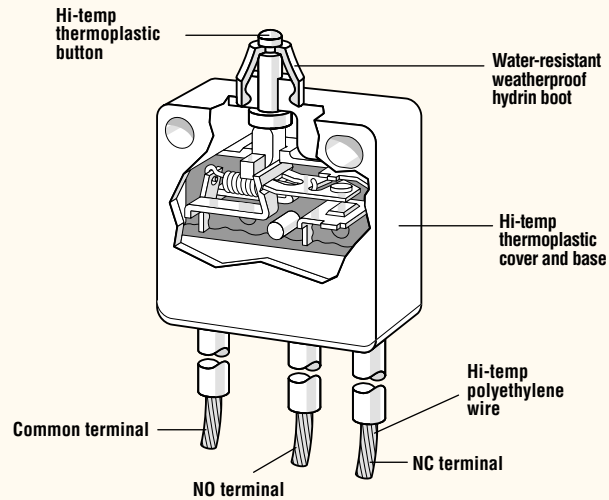


SUBMINIATURE — SEALED

E72/E73 Series

Features

- Moisture resistant
- 3 contact arrangements
- Long life coil spring mechanism
- Choice of button or hinged actuator
- 10", 16 gauge leads attached
- Custom wire and harness designs available upon request



Electrical Ratings

Switch Series	EN61058 Rating	UL1054 Rating	Electrical Life at Rated Load	
			According to VDE (Min. Operations)	According to UL (Min. Operations)
E72	N/A	10.1A, 1/4HP, 125/250VAC	N/A	6,000
E73	N/A	0.1A, 125VAC	N/A	6,000

Specifications

Electrical

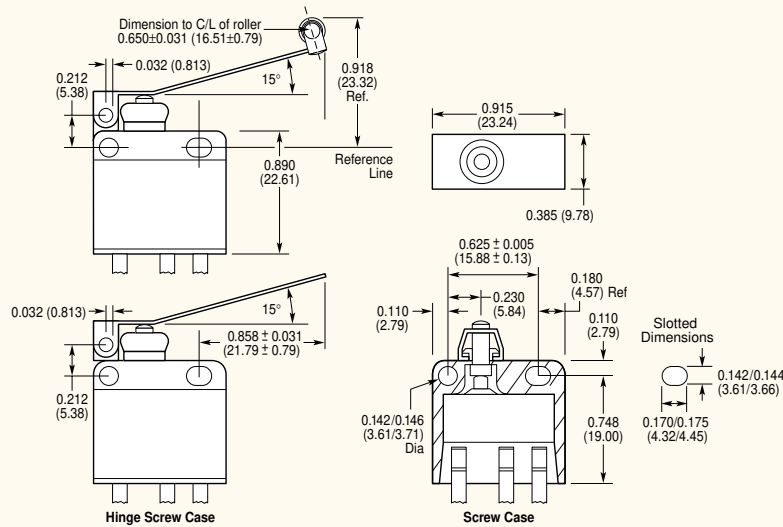
Temperature Rating:	-40° to +85°C
Flammability Rating:	UL94V-O

Materials

Case:	Hi-Temp Thermoplastic Nylon
Boot:	Hydrin
Button:	Hi-Temp Thermoplastic Nylon
Actuator:	Stainless Steel
Potting:	Macromelt Polyamide
Contacts:	Silver Alloy (E72), Gold Crosspoint (E73)



Dimensions inches (mm)



Characteristics inches (mm)

	-40AT	-40HT	-40KT
Max. Rest Position	0.390 (9.91)	0.972 (24.69)	1.041 (26.44)
Max. Pretravel	0.040 (1.02)	0.275 (6.99)	0.240 (6.10)
Operating Point	0.310 – 0.350 (7.87 – 8.99)	0.440 – 0.750 (11.18 – 19.05)	0.762 ± 0.125 (19.36 ± 3.18)
Min. Overtravel	0.035 (0.89)	0.100 (2.54)	0.125 (3.18)
Max. Movement Differential	0.004 (0.10)	0.024 (0.61)	0.025 (0.635)
Max. Operating Force	300 gms.	67 gms.	75 gms.

Mounting

Recommended screw size: #6-32 round head. Recommended torque on screw: 6 inch lbs. max.

Ordering Information

Actuator	Silver Contacts	Gold Contacts
Button	E72-40AT	E73-40AT
Lever	E72-40HT	E73-40HT
Roller	E72-40KT	E73-40KT