



Chipsmall Limited consists of a professional team with an average of over 10 year of expertise in the distribution of electronic components. Based in Hongkong, we have already established firm and mutual-benefit business relationships with customers from,Europe,America and south Asia,supplying obsolete and hard-to-find components to meet their specific needs.

With the principle of "Quality Parts,Customers Priority,Honest Operation,and Considerate Service",our business mainly focus on the distribution of electronic components. Line cards we deal with include Microchip,ALPS,ROHM,Xilinx,Pulse,ON,Everlight and Freescale. Main products comprise IC,Modules,Potentiometer,IC Socket,Relay,Connector.Our parts cover such applications as commercial,industrial, and automotives areas.

We are looking forward to setting up business relationship with you and hope to provide you with the best service and solution. Let us make a better world for our industry!



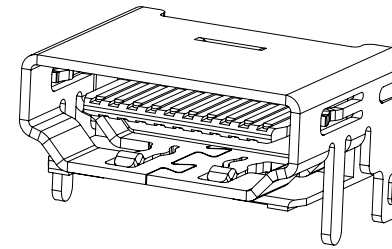
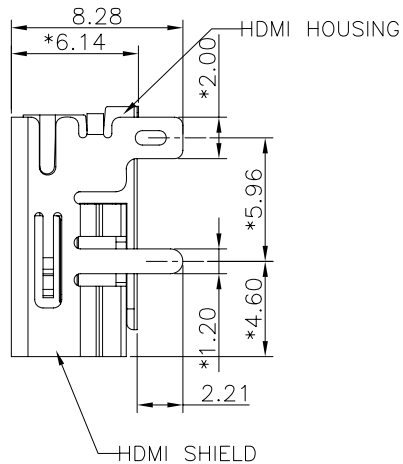
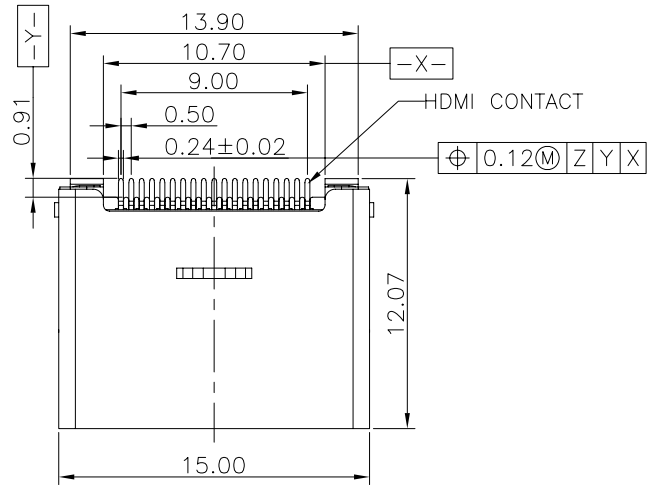
## Contact us

Tel: +86-755-8981 8866 Fax: +86-755-8427 6832

Email & Skype: info@chipsmall.com Web: www.chipsmall.com

Address: A1208, Overseas Decoration Building, #122 Zhenhua RD., Futian, Shenzhen, China





**NOTES:**

**ELECTRICAL**

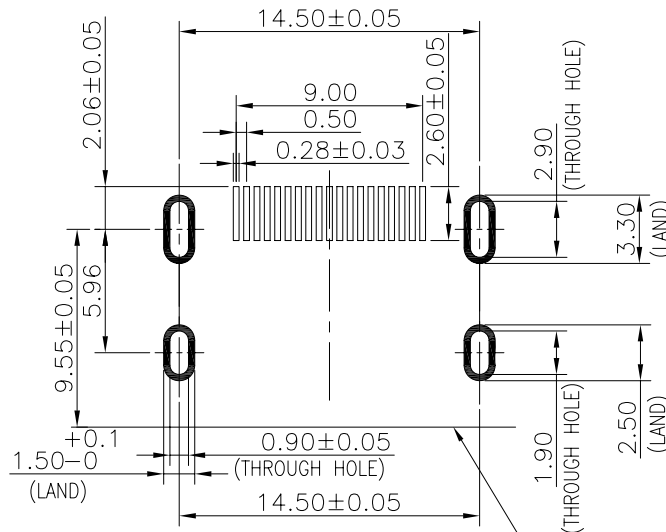
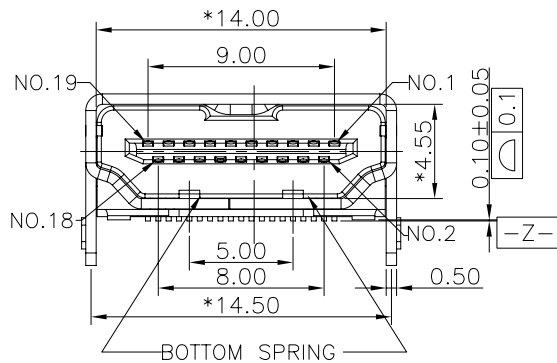
1. VOLTAGE RATING : 30 VDC RMS
2. CURRENT RATING : 0.5AMP MAX PER CONTACT
3. CONTACT RESISTANCE : 30 MILLIOHMS MAX.
4. INSULATION RESISTANCE : 1000 MEGOHMS MIN
5. WITHSTANDING VOLTAGE : 500 VAC RMS 60Hz , 1MIN
6. OPERATING LIFE : 10000 CYCLES MIN @ 500 VCD

**MECHANICAL :**

1. HOUSING MATERIAL : NYLON+30%G.F UL94V-0.COLOR:BLACK.
2. CONTACT MATERIAL : PHOSPHOR BRONZE 0.20mm THICKNESS
3. PLATING : 1: CONTACT AREA - SELECTIVE GOLD PLATING  
2: TAILS- 120U" MIN OVER NICKEL.
4. SHIELD MATERIAL : PHOSPHOR BRONZE 0.50mm THICKNESS
5. PLATING : PLATED NICKEL.

**ENVIRONMENTAL:**

1. STORAGE : -40°C TO +85°C
2. OPERATION : -40°C TO +85°C
3. IR REFLOW PEAK SOLDERING TEMPERATURE:  
255°C TO 265°C (5-10 SECONDS).
4. RoHS COMPLIANT.
5. FRE OLD DRAWING NUMBER:GE813024-LA.



PCB Layout Component Side Shown

PCB EDGE

**TABLE**

RoHS PART NUMBER:	REV	HS'G MATERIAL	COLOR	UTP/STP TYPE	PIN NUMBER	PLATING Au
E810K-SB0G13-L	A	NYLON+GF30%	BLACK	STP/DIP FEET TYPE	19 PINS	15U"
E810K-SB0G14-L	A	NYLON+GF30%	BLACK	STP/DIP FEET TYPE	19 PINS	30U"

MM (INCH)	
TOLERANCES EXCEPT AS NOTED	
MM	
.0 ± 0.2	±
.00 ± 0.15	±
.000 ± 0.075	±
ANGLES ± 0.5	
THIRD ANGLE PROJECTION	

<b>RoHS Compliant</b>			
TITLE HDMI CONNECTOR WITHOUT PANEL A TYPE			
DFTO Yumei	DRAWING NO. CE810K-SB0G1X-L	SIZE A3	REV 0
DATE 02/14/2007	/PART NO. E810K-SB0G1X-L		
SCALE : 2.5:1	DO NOT SCALE DRAWING	SHEET 1	OF 1

The drawing Can Only Supply To Customer