



Chipsmall Limited consists of a professional team with an average of over 10 year of expertise in the distribution of electronic components. Based in Hongkong, we have already established firm and mutual-benefit business relationships with customers from,Europe,America and south Asia,supplying obsolete and hard-to-find components to meet their specific needs.

With the principle of “Quality Parts,Customers Priority,Honest Operation,and Considerate Service”,our business mainly focus on the distribution of electronic components. Line cards we deal with include Microchip,ALPS,ROHM,Xilinx,Pulse,ON,Everlight and Freescale. Main products comprise IC,Modules,Potentiometer,IC Socket,Relay,Connector.Our parts cover such applications as commercial,industrial, and automotives areas.

We are looking forward to setting up business relationship with you and hope to provide you with the best service and solution. Let us make a better world for our industry!



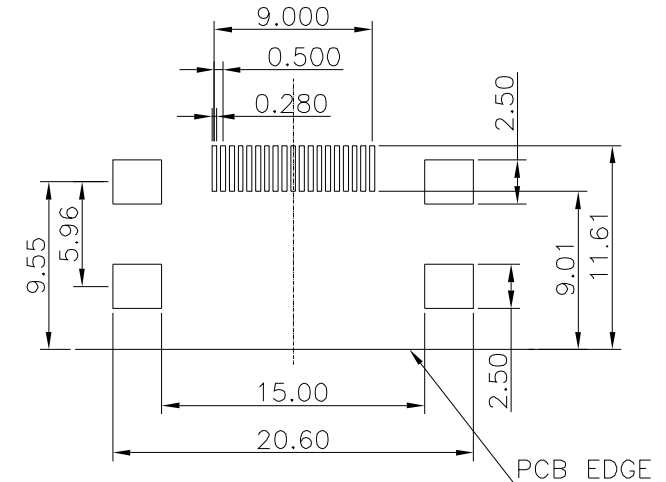
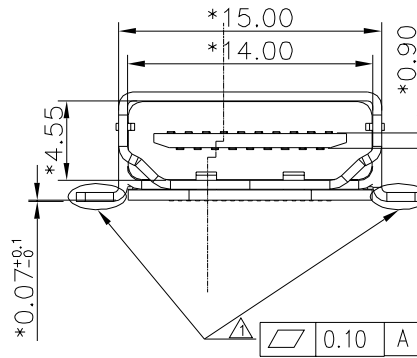
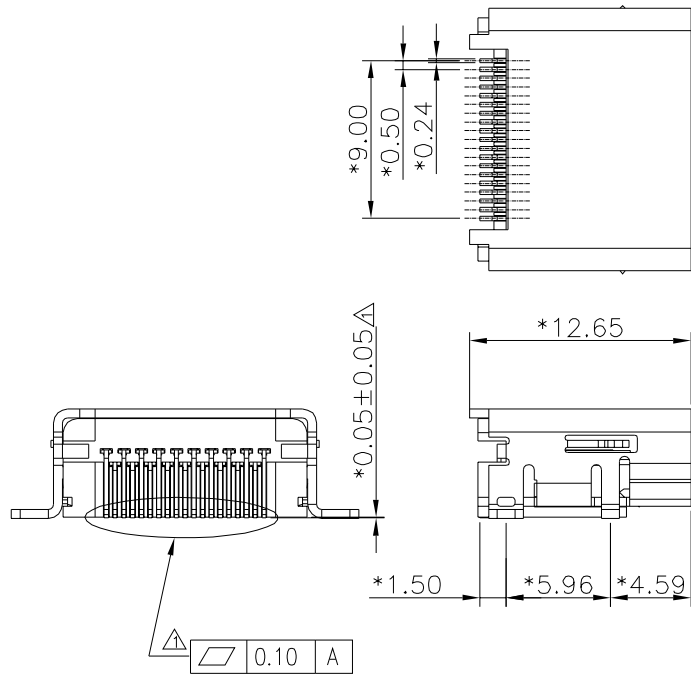
## Contact us

Tel: +86-755-8981 8866 Fax: +86-755-8427 6832

Email & Skype: info@chipsmall.com Web: www.chipsmall.com

Address: A1208, Overseas Decoration Building, #122 Zhenhua RD., Futian, Shenzhen, China





PC Board Layout T=1.6mm  
Component Side Shown Tolerance±0.05mm

**NOTES:**

**ELECTRICAL**

1. VOLTAGE RATING : 30 VDC RMS
2. CURRENT RATING :0.5AMP MAX PER CONTACT
3. CONTACT RESISTANCE : 30 MILLIOHMS MAX.
4. INSULATION RESISTANCE : 1000 MEGOHMS MIN @ 500 VCD
5. WITHSTANDING VOLTAGE : 500 VAC RMS 60Hz , 1MIN
6. OPERATING : 10000 CYCLES MIN

**MECHANICAL :**

1. HOUSING MATERIAL : NYLON, UL94V-0  
HOUSING COLOR : BLACK
2. CONTACT MATERIAL : PHOSPHOR BRONZE 0.20mm THICKNESS
3. PLATING : 30u" GOLD PLATING OVER NICKEL
4. SHIELD MATERIAL : COPPER ALLOY 0.50mm THICKNESS
5. PLATING : 50u" NICKLE

**ENVIRONMENTAL:**

1. STORAGE : -40°C TO +85°C
2. OPERATION : -40°C TO +85°C
3. WAVE SOLDERING TEMPERATURE : 255°C ~265°C (5~10 SECONDS)
4. RoHS COMPLIANT.

PART NUMBER  
E810K-SBY104-L

|                        |                            |   |                                   |  |  |            |                         |      |     |                 |                     |    |   |             |  |                      |              |
|------------------------|----------------------------|---|-----------------------------------|--|--|------------|-------------------------|------|-----|-----------------|---------------------|----|---|-------------|--|----------------------|--------------|
| DETACHED LISTS         | MM<br>(INCH)               | <b>RoHS Compliant</b>   |                                   |  |  |            |                         |      |     |                 |                     |    |   |             |  |                      |              |
|                        | TOLERANCES EXCEPT AS NOTED |   | TITLE<br>HDMI CONNECTOR(SMT TYPE) |  |  |            |                         |      |     |                 |                     |    |   |             |  |                      |              |
|                        | MM                         |   |                                   |  |  |            |                         |      |     |                 |                     |    |   |             |  |                      |              |
| .0 ± 0.2               | ±                          | <table border="1" style="width: 100%;"> <tr> <td>DFTO Cathy</td> <td>DRAWING NO. CE813028-LA</td> <td>SIZE</td> <td>REV</td> </tr> <tr> <td>DATE 08/10/2006</td> <td>/PART NO. SEE TABLE</td> <td>A3</td> <td>0</td> </tr> <tr> <td colspan="2">SCALE : 3:1</td> <td>DO NOT SCALE DRAWING</td> <td>SHEET 1 OF 1</td> </tr> </table> |                                   |  |  | DFTO Cathy | DRAWING NO. CE813028-LA | SIZE | REV | DATE 08/10/2006 | /PART NO. SEE TABLE | A3 | 0 | SCALE : 3:1 |  | DO NOT SCALE DRAWING | SHEET 1 OF 1 |
| DFTO Cathy             | DRAWING NO. CE813028-LA    |   |                                   |  |  | SIZE       | REV                     |      |     |                 |                     |    |   |             |  |                      |              |
| DATE 08/10/2006        | /PART NO. SEE TABLE        |   |                                   |  |  | A3         | 0                       |      |     |                 |                     |    |   |             |  |                      |              |
| SCALE : 3:1            |                            | DO NOT SCALE DRAWING  | SHEET 1 OF 1                      |  |  |            |                         |      |     |                 |                     |    |   |             |  |                      |              |
| .00 ± 0.15             | ±                          |   |                                   |  |  |            |                         |      |     |                 |                     |    |   |             |  |                      |              |
| .000 ± 0.075           | ±                          |   |                                   |  |  |            |                         |      |     |                 |                     |    |   |             |  |                      |              |
| ANGLES ± 0.5           |                            |   |                                   |  |  |            |                         |      |     |                 |                     |    |   |             |  |                      |              |
| THIRD ANGLE PROJECTION |                            |   |                                   |  |  |            |                         |      |     |                 |                     |    |   |             |  |                      |              |