



Chipsmall Limited consists of a professional team with an average of over 10 year of expertise in the distribution of electronic components. Based in Hongkong, we have already established firm and mutual-benefit business relationships with customers from,Europe,America and south Asia,supplying obsolete and hard-to-find components to meet their specific needs.

With the principle of “Quality Parts,Customers Priority,Honest Operation,and Considerate Service”,our business mainly focus on the distribution of electronic components. Line cards we deal with include Microchip,ALPS,ROHM,Xilinx,Pulse,ON,Everlight and Freescale. Main products comprise IC,Modules,Potentiometer,IC Socket,Relay,Connector.Our parts cover such applications as commercial,industrial, and automotives areas.

We are looking forward to setting up business relationship with you and hope to provide you with the best service and solution. Let us make a better world for our industry!



Contact us

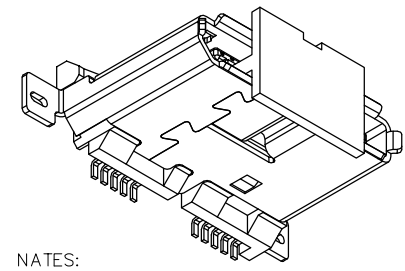
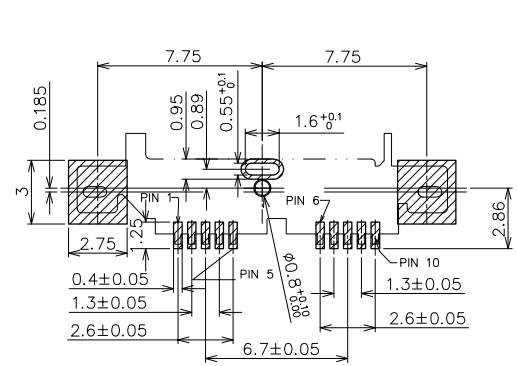
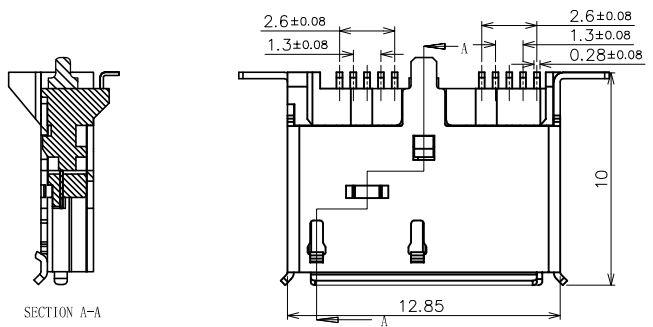
Tel: +86-755-8981 8866 Fax: +86-755-8427 6832

Email & Skype: info@chipsmall.com Web: www.chipsmall.com

Address: A1208, Overseas Decoration Building, #122 Zhenhua RD., Futian, Shenzhen, China

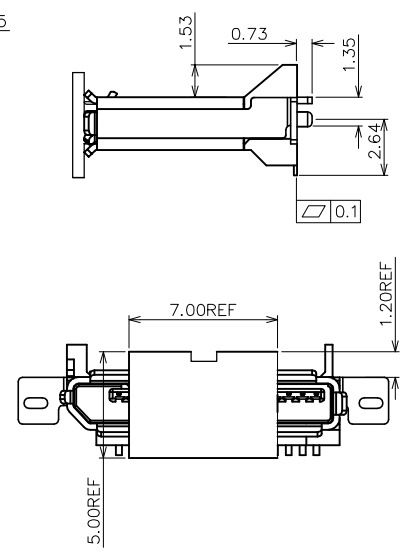
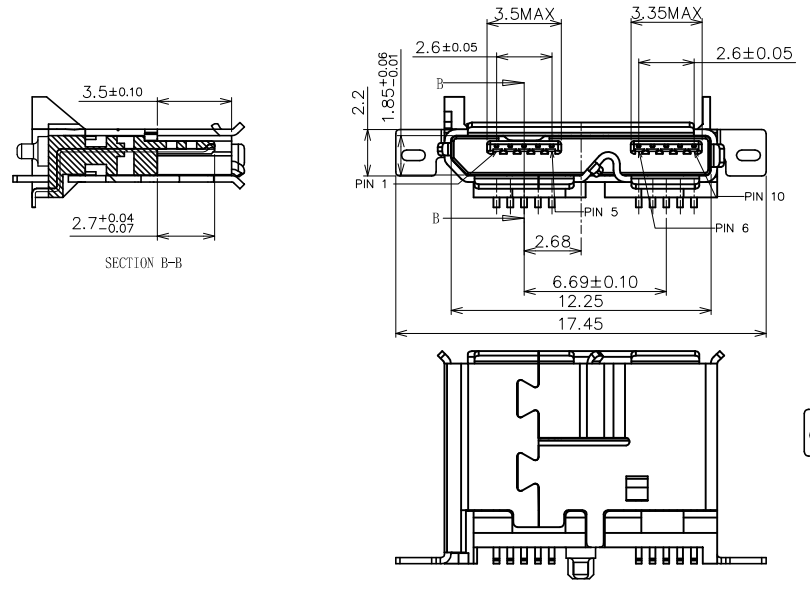


| REVISION RECORD | | |
|-----------------|-------------|------|
| REV | DESCRIPTION | DRFT |
| | | |



NOTES:

- MACHANICAL CHARACTERISTICS:
 MATING FORCE: 1.30±0.30kgf.
 UNMATING FORCE: 1.30±0.30kgf.
 DURABILITY: 10000 CYCLES
- ELECTRICAL CHARACTERISTICS:
 CURRENT RATING: 1.5A
 CONTACT RESISTANCE: 30mΩ Max.
 DIELECTRICAL WITHSTANDING: 100V AC/1min.
 INSULATION RESISTANCE: 100MΩ Min.
- MATERIAL:
 PLASTIC: LCP WITH 30% GF, UL 94V-0, BLACK.
 TERMINAL BRASS, 0.15 THICKNESS.
 TERMINAL PLATING:
 50u" MIN NICKEL UNDERPLATING OVER ALL,
 HALF HARD GOLD 5u", MATTE TIN 100u"
 SHIELD: STEEL 0.3 THICKNESS.
 SHIELD PLATING:
 50u" MIN CU UNDERPLATING OVER ALL,
 50u" MIN NICKEL PLATING OVER ALL,
 OPERATION TEMPERATURE: ±20°C to +80°C



| | | | | | |
|----------------|----------------------------|-------------------------|------------------------|------------------------------------|-----------------------|
| DETACHED LISTS | MM (INCH) | DFTD Roy | DATE 11/20/2012 | | RoHS Compliant |
| | TOLERANCES EXCEPT AS NOTED | CHKD | DATE | | |
| | MM | APPVL | DATE | TITLE USB 3.0 MICRO BF SMD TYPE | |
| | .0 ± 0.35 | MATERIAL | | | |
| | .0 ± 0.25 | ANGLES: X*±1° X.X*±0.5* | QTY | DRAWING NO. E8110-032-01 | SIZE A3 |
| .00 ± 0.15 | THIRD ANGLE PROJECTION | FINISH | /PART NO. E8110-032-01 | DO NOT SCALE DRAWING | SHEET 1 OF 1 |
| .000 ± 0.05 | | SCALE: 1:1 | | | |