



Chipsmall Limited consists of a professional team with an average of over 10 year of expertise in the distribution of electronic components. Based in Hongkong, we have already established firm and mutual-benefit business relationships with customers from,Europe,America and south Asia,supplying obsolete and hard-to-find components to meet their specific needs.

With the principle of “Quality Parts,Customers Priority,Honest Operation,and Considerate Service”,our business mainly focus on the distribution of electronic components. Line cards we deal with include Microchip,ALPS,ROHM,Xilinx,Pulse,ON,Everlight and Freescale. Main products comprise IC,Modules,Potentiometer,IC Socket,Relay,Connector.Our parts cover such applications as commercial,industrial, and automotives areas.

We are looking forward to setting up business relationship with you and hope to provide you with the best service and solution. Let us make a better world for our industry!



Contact us

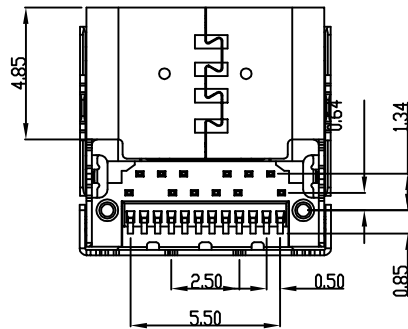
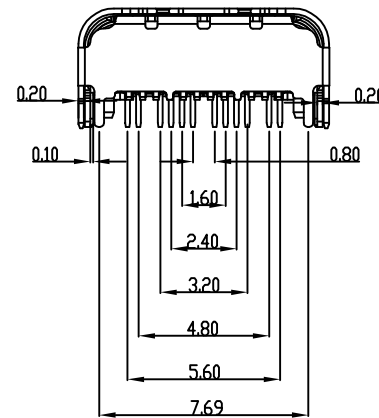
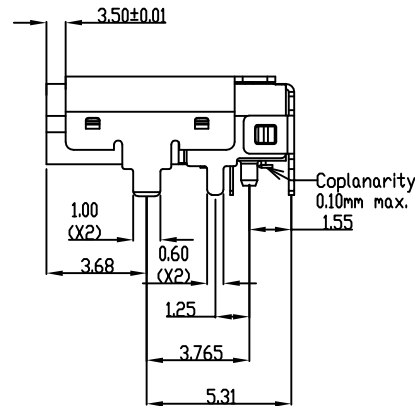
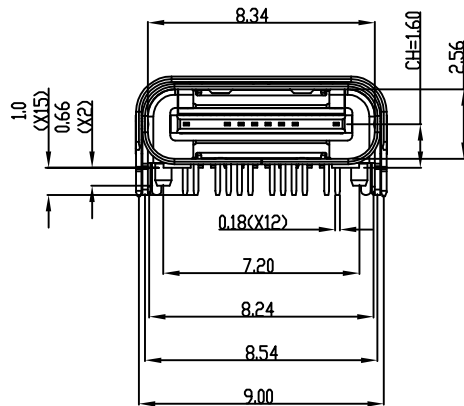
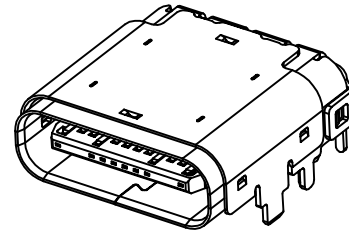
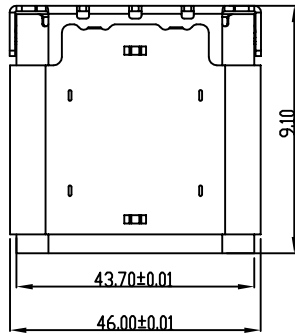
Tel: +86-755-8981 8866 Fax: +86-755-8427 6832

Email & Skype: info@chipsmall.com Web: www.chipsmall.com

Address: A1208, Overseas Decoration Building, #122 Zhenhua RD., Futian, Shenzhen, China



REVISION RECORD		
REV	DESCRIPTION	DRFT



NOTES:

ELECTRICAL CHARACTERISTICS:

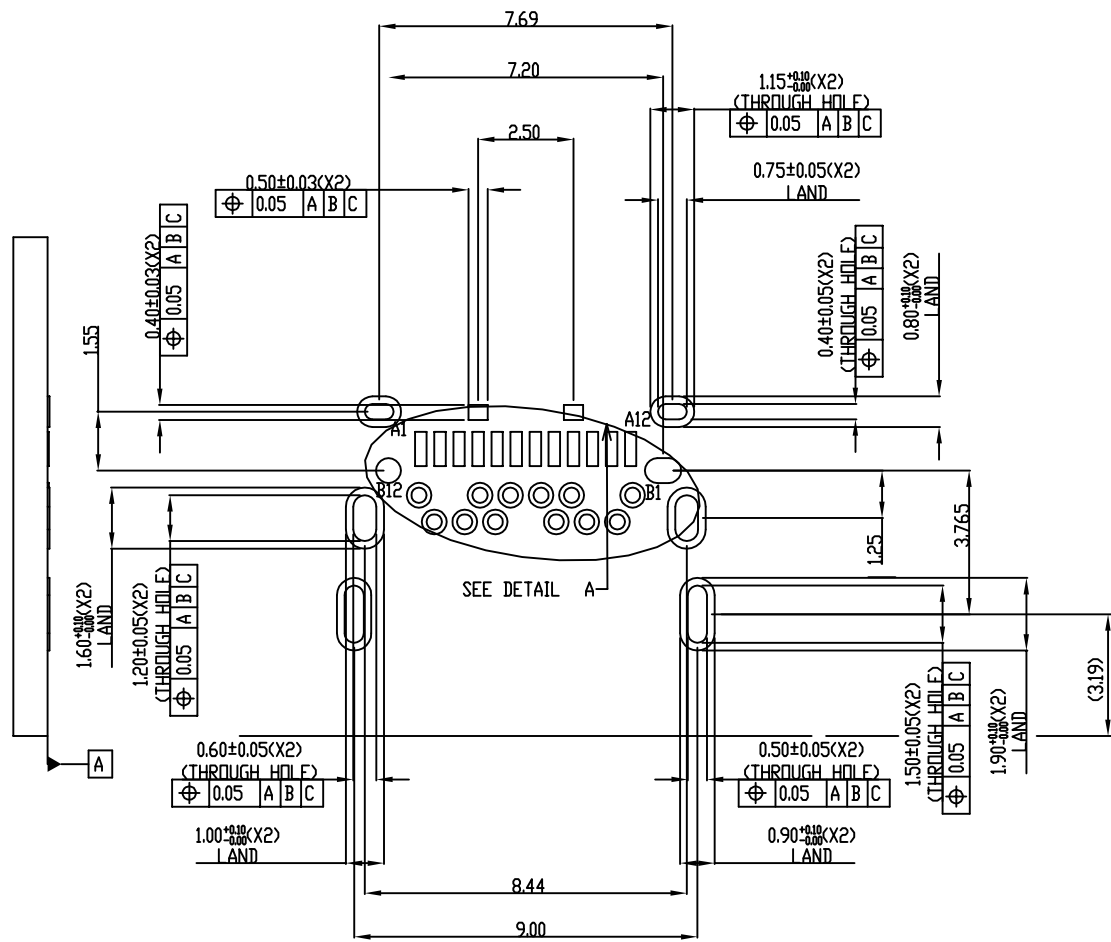
1. LOW LEVEL CONTACT RESISTANCE:
INITIAL: 40m Ω FOR ALL CONTACT MAX.
AFTER : 10m Ω MAX. CHANGE.
2. DIELECTRIC WITHSTANDING VOLTAGE:
100 VAC FOR 1 MINUTE SEA LEVEL.
3. INSULATION RESISTANCE:
100M Ω MIN.
4. CURRENT RATING:
VBUS AND GND CONTACTS RATED AT 1.25A EA.
PARALLELED FOR A TOTAL OF 5A

MECHANICAL CHARACTERISTICS:

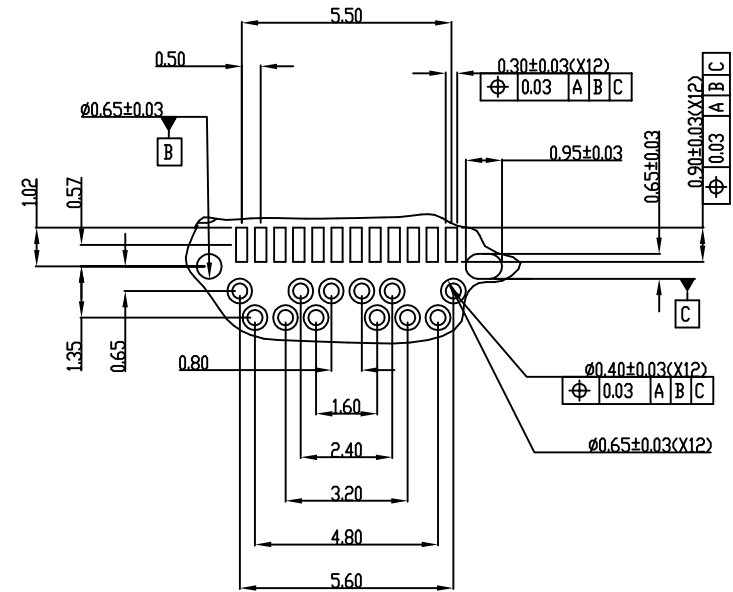
1. INSERTION FORCE: 20N MAX
2. EXTRACTION FORCE 1-1000 CYCLES 8N MIN, 20N MAX.
EXTRACTION FORCE 1001-10000 CYCLES 6N MIN, 20N MAX.
3. DURABILITY : 10,000 CYCLES
4. PLATING OF CONTACT:
GOLD FLASH ON CONTACT AREA.
5. OPERATING TEMPERATURE: -55°C TO +85°C

MM (INCH)		RoHS Compliant		Pulse Electronics	
TOLERANCES EXCEPT AS NOTED					
MM					
.0 ± 0.25	±	TITLE		SIZE	REV
.00 ± 0.20	±	USB TYPE - C CONN		A3	0
.000 ± 0.10	±	RECEPTACLE - TOP MOUNT TYPE			
ANGLES ± 1°		DFTD :	LYNN	DRAWING NO.	CE8124-015-01
THIRD ANGLE PROJECTION		DATE :	06/23/2015	/PART NO.	E8124-015-01
		SCALE :	1:1	DO NOT SCALE DRAWING	
				SHEET	1 OF 2

REVISION RECORD		
REV	DESCRIPTION	DRFT



RECOMMENDED PCB LAYOUT
THICKNESS IS 0.9mm
TOLERANCE ± 0.05



DETAIL A
SCALE 7:1

DETACHED LISTS			RoHS Compliant		Pulse Electronics	
	TOLERANCES EXCEPT AS NOTED					
	MM					
	.0 ± 0.25					
.00 ± 0.20						
.000 ± 0.10						
ANGLES ± 1°		TITLE		USB TYPE - C CONN		
		DATE : 06/23/2015		RECEPTACLE - TOP MOUNT TYPE		
THIRD ANGLE PROJECTION		SCALE : 1:1		DO NOT SCALE DRAWING		
DFTO : LYNN		DRAWING NO. CE8124-015-01		SIZE	REV	
DATE : 06/23/2015		/PART NO. E8124-015-01		A3	0	
SHEET 2 OF 2						