



Chipsmall Limited consists of a professional team with an average of over 10 year of expertise in the distribution of electronic components. Based in Hongkong, we have already established firm and mutual-benefit business relationships with customers from,Europe,America and south Asia,supplying obsolete and hard-to-find components to meet their specific needs.

With the principle of "Quality Parts,Customers Priority,Honest Operation,and Considerate Service",our business mainly focus on the distribution of electronic components. Line cards we deal with include Microchip,ALPS,ROHM,Xilinx,Pulse,ON,Everlight and Freescale. Main products comprise IC,Modules,Potentiometer,IC Socket,Relay,Connector.Our parts cover such applications as commercial,industrial, and automotives areas.

We are looking forward to setting up business relationship with you and hope to provide you with the best service and solution. Let us make a better world for our industry!



## Contact us

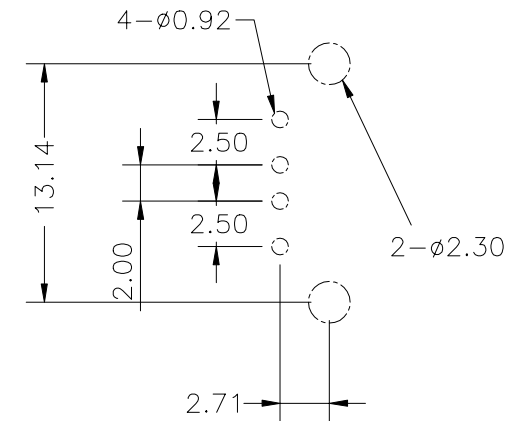
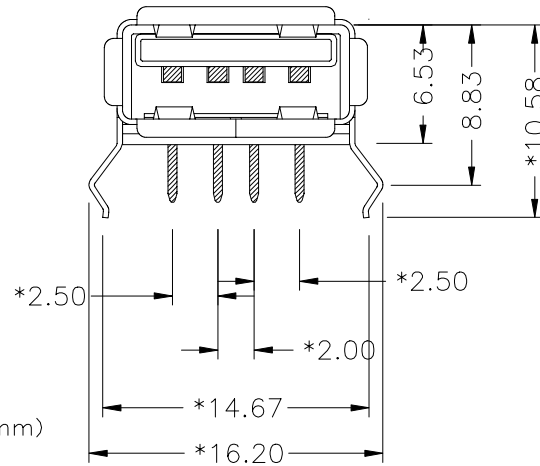
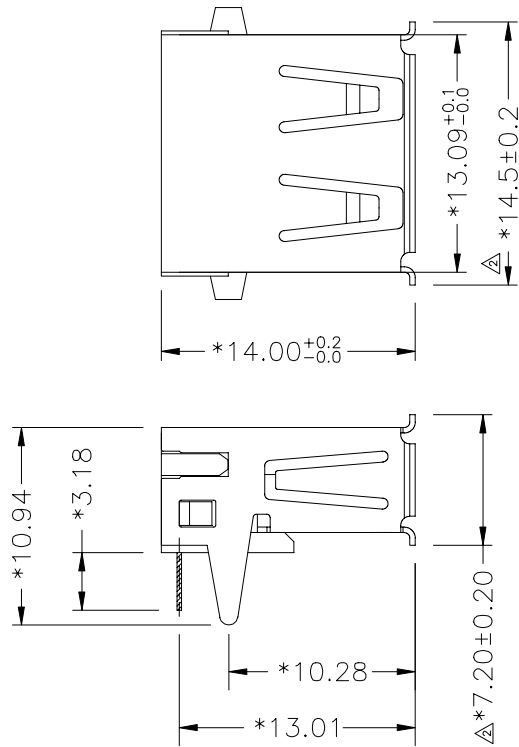
Tel: +86-755-8981 8866 Fax: +86-755-8427 6832

Email & Skype: info@chipsmall.com Web: www.chipsmall.com

Address: A1208, Overseas Decoration Building, #122 Zhenhua RD., Futian, Shenzhen, China



REVISION RECORD				
REV	ECO	DESCRIPTION	DRFT	CHKD
1		Drawing Modify	Sammy	07/15/05
2		Drawing Modify	ANKUE	12/28/05
3	1	ADD P/N	TIRRY	08/02/06



USB-PCB LAYOUT

NOTES:

- MATERIAL:**  
TERMINAL-C5191 PHOSPHOR BRONZE HARD. (t=0.25mm)  
**SHIELD-COPPER ALLOY OR PHOSPHOR BRONZE**  
**HOUSING-NYLON+ 30% G.F.**
- PLATING:**  
CONTACT-AREA-SELECTIVE PLATING. ON THE MATING END.  
**TAILS-PLATED TIN OVER NICKEL.**  
**SHIELD-PLATED TIN OVER NICKEL.**  
OR PLATED NI OVER Cu. .
- TOLERANCE:** ±0.3mm.±3°.
- GAP:** 0.25mm (Max.)
- ELECTRICAL:**  
VOLTAGE RATING: 30 VAC RMS.  
CURRENT RATING: 1.0 AMP  
CONTACT RESISTANCE: 30 MILLIOHMS MAX  
INSULATION RESISTANCE: 1000 MEGOHMS MIN @500 VDC  
DIELECTRIC STRENGTH: 750 VAC RMS 60 HZ, 1 MIN  
OPERATING LIFE: 1500 CYCLES MIN  
MATING FORCE: 3.5 KGS MAX  
UNMATING FORE: 1 KGS MIN  
STORAGE: -40°C TO +85°C  
OPERATION: -40°C TO +85°C  
CAPACITANCE: 2 PF MAX 1KHZ  
WAVE SOLDERING TEMPERATURE:255°C TO 265°C(5-10SECCONDS)  
RoHS COMPLIANT.

**6.ROHS PART NUMBER: E8144-AXXX2X-L**

- 0-COPPER ALLOY**
- 1-PHOSPHOR BRONZE**
- 1-NICKEL
- 2-TIN

- 1-Au3u" 2-Au6u"
- 3-Au15u" 4-Au30u"
- 5-Au50u" 7-Pd30u"
- 2-NATURAL COLOR
- 5-BLACK COLOR

**7.ROHS PART NUMBER: E8144-AX1F2X-L**

- 0-COPPER ALLOY**
- 1-PHOSPHOR BRONZE**
- 1F-NICKEL WHITE

- 1-Au3u" 2-Au6u"
- 3-Au15u" 4-Au30u"
- 5-Au50u" 7-Pd30u"



FULL RISE ELECTRONIC CO., LTD

TITLE USB Series A, 4-Position Dip Type

DRAWING NO. <b>GE813A01-LA</b>	SIZE <b>A3</b>	REV <b>3</b>
/PART NO. SEE NOTE	08/02/06	
DO NOT SCALE DRAWING	SHEET 1	OF 1

DETACHED LISTS	MM (INCH)	DFTO ANKUE	DATE 7/22/05
	TOLERANCES EXCEPT AS NOTED	CHKDSIX	DATE 2006/8/2
	MFO	DATE	
	APPVL ARTHUR	DATE 2006/8/2	
MM	±	MATERIAL :	
.0 ±0.20	±	ANGLES ±	QT'Y :
.00 ±0.15	±	FINISH :	
.000 ±0.075	±	SCALE :	
THIRD ANGLE PROJECTION			