



Chipsmall Limited consists of a professional team with an average of over 10 year of expertise in the distribution of electronic components. Based in Hongkong, we have already established firm and mutual-benefit business relationships with customers from,Europe,America and south Asia,supplying obsolete and hard-to-find components to meet their specific needs.

With the principle of "Quality Parts,Customers Priority,Honest Operation,and Considerate Service",our business mainly focus on the distribution of electronic components. Line cards we deal with include Microchip,ALPS,ROHM,Xilinx,Pulse,ON,Everlight and Freescale. Main products comprise IC,Modules,Potentiometer,IC Socket,Relay,Connector.Our parts cover such applications as commercial,industrial, and automotives areas.

We are looking forward to setting up business relationship with you and hope to provide you with the best service and solution. Let us make a better world for our industry!



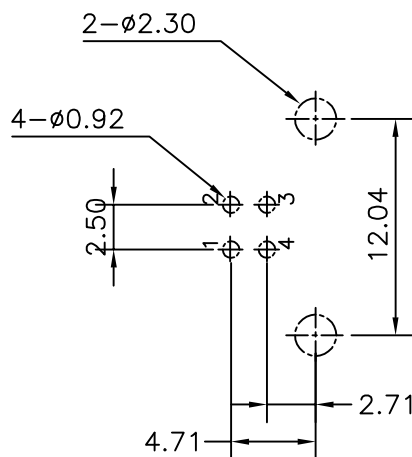
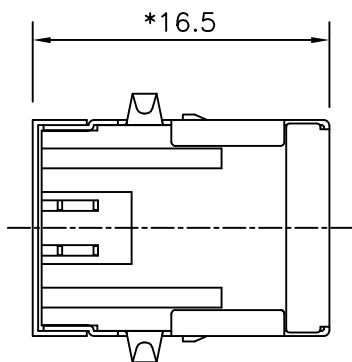
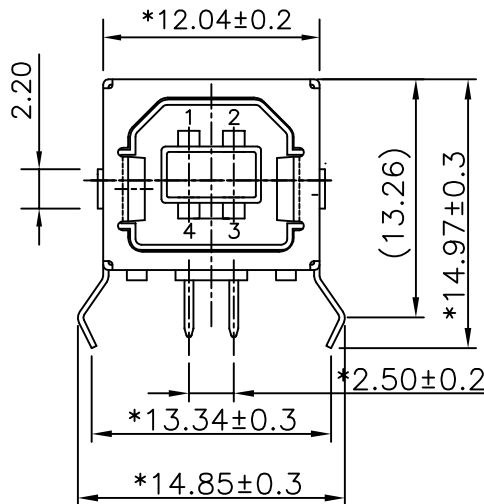
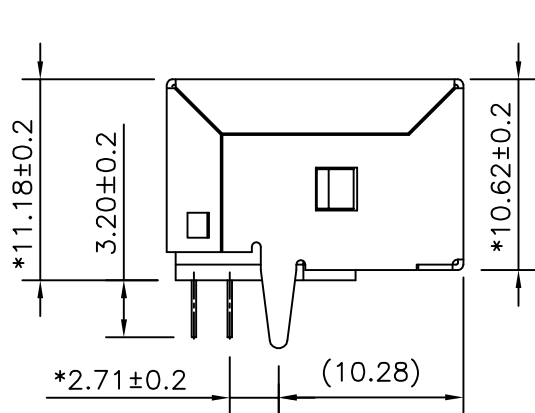
Contact us

Tel: +86-755-8981 8866 Fax: +86-755-8427 6832

Email & Skype: info@chipsmall.com Web: www.chipsmall.com

Address: A1208, Overseas Decoration Building, #122 Zhenhua RD., Futian, Shenzhen, China





USB-PCB LAYOUT

NOTES:

- 1.MATERIAL:
 TERMINAL : PHOSPHOR BRONZE HARD. (t=0.25mm)
 SHIELD : COPPER ALLOY(t=0.30mm)
 HOUSING : GLASS FILLED PBT UL94V-0
 HOUSING COLOR : WHITE.
- 2.PLATING :CONTACT AREA-SELECTIVE GOLD PLATING.
 TAILS-TIN 150u" MIN OVER NICKEL.
- 3.GAP. 0.25mm (Max.)
- 4.ELECTRICAL:
 VOLTAGE RATING : 30 VAC RMS.
 CURRENT RATING : 1.0 AMP
 CONTACT RESISTANCE : 30 MILLIOHMS MAX
 INSULATION RESISTANCE : 1000 MEGOHMS MIN @500 VDC
 DIELECTRIC STRENGTH : 750 VAC RMS 60 HZ, 1 MIN
 OPERATING LIFE : 1500 CYCLES MIN
 MATING FORCE : 3.5 KGS MAX
 UNMATING FORE : 1 KGS MIN
- 5.NVIRONMENTAL:
 STORAGE TEMPERATURE : -40°C TO +85°C
 OPERATION TEMPERATURE : -40°C TO +85°C
 CAPACITANCE : 2 PF MAX 1KHZ
 WAVE SOLDER TEMPERATURE: 230~250°C.(5-10 SECONDS)
 RoHS COMPLIANT.
- 6.UL & CUL FILE NO. E163191

PART NUMBER	GOLD PLATING
E8144-B01321-L	3u"
E8144-B01322-L	6u"

		RoHS Compliant			
TOLERANCES EXCEPT AS NOTED MM .0 ± 0.2 ± .00 ± 0.15 ± .000 ± 0.075 ± ANGLES ± 0.5		TITLE <h2 style="text-align: center;">USB Series B 4-Position Dip Type</h2>			
DFTO Cathy DATE 2006/09/21		DRAWING NO. CE813A02-LC /PART NO. SEE TABLE		SIZE A3	REV 0
THIRD ANGLE PROJECTION		SCALE :		DO NOT SCALE DRAWING SHEET 1 OF 1	

H
G
F
E
D
C
B
A