



Chipsmall Limited consists of a professional team with an average of over 10 year of expertise in the distribution of electronic components. Based in Hongkong, we have already established firm and mutual-benefit business relationships with customers from,Europe,America and south Asia,supplying obsolete and hard-to-find components to meet their specific needs.

With the principle of “Quality Parts,Customers Priority,Honest Operation,and Considerate Service”,our business mainly focus on the distribution of electronic components. Line cards we deal with include Microchip,ALPS,ROHM,Xilinx,Pulse,ON,Everlight and Freescale. Main products comprise IC,Modules,Potentiometer,IC Socket,Relay,Connector.Our parts cover such applications as commercial,industrial, and automotives areas.

We are looking forward to setting up business relationship with you and hope to provide you with the best service and solution. Let us make a better world for our industry!



Contact us

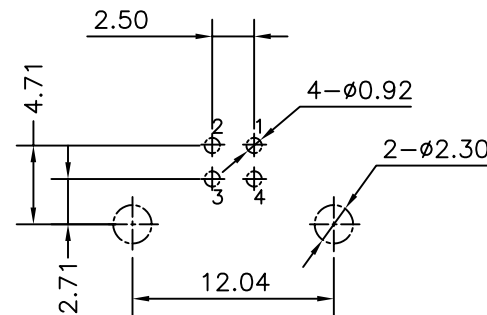
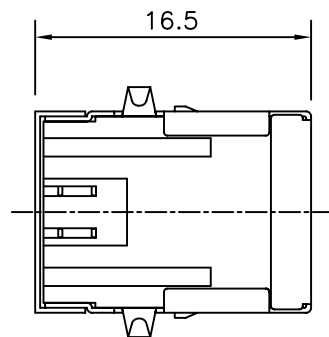
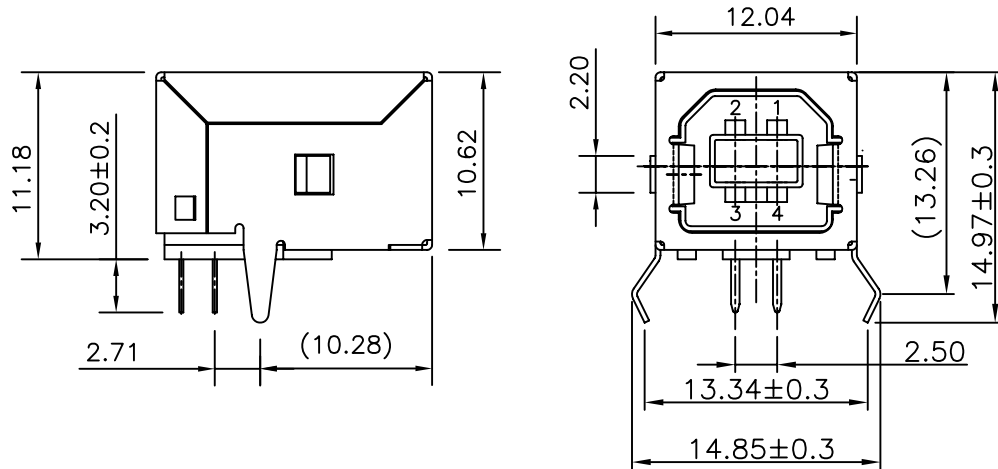
Tel: +86-755-8981 8866 Fax: +86-755-8427 6832

Email & Skype: info@chipsmall.com Web: www.chipsmall.com

Address: A1208, Overseas Decoration Building, #122 Zhenhua RD., Futian, Shenzhen, China



REVISION RECORD		
REV	DESCRIPTION	DRFT



PC BOARD LAYOUT
COMPONENT SIDE SHOWN
TOLERANCES ± 0.05mm

NOTES:

- MATERIAL:**
 TERMINAL: PHOSPHOR BRONZE, T=0.25mm.
 SHIELD : COPPER ALLOY, T=0.3mm.
 HOUSING : GLASS FIBER FILLED PBT, UL94V-0\BLACK.
- PLATING:**
 CONTACT: GOLD PLATING OVER NICKEL
 TAILS: TIN PLATING OVER NICKEL.
 SHIELD: TIN PLATING OVER NICKEL.
- ELECTRICAL:**
 VOLTAGE RATING: 30 VAC RMS.
 CURRENT RATING: 1.0 AMP.
 CONTACT RESISTANCE: 40 MILLIOHMS MAX.
 INSULATION RESISTANCE: 1000 MEGOHMS MIN @500 VDC.
 DIELECTRIC STRENGTH: 500 VDC, 1 MIN.
 OPERATING LIFE : 1500 CYCLES MIN.
 MATING FORCE : 3.5 KGF MAX.
 UNMATING FORCE: 1 KGF MIN.
- ENVIRONMENTAL:**
 STORAGE: -40°C TO +85°C.
 OPERATION: -40°C TO +85°C.
 CAPACITANCE: 2 PF MAX 1 KHz.
 WAVE SOLDER TEMPERATURE: 235°C~245°C(3~5 SECONDS).
 RoHS COMPLIANT.
- UL & CUL FILE NO. E163191.

E8144-B02022-L	6u"
PART NO.	Au PLATING

DETACHED LISTS			RoHS Compliant			
	TOLERANCES EXCEPT AS NOTED		USB Series B			
	MM	±	TITLE			
	.0 ± 0.25	±	4-Position Dip Type			
.00 ± 0.20	±	ANGLES ± 1°		DFTO : ELLA	DRAWING NO. CE8144-B0202X-L	SIZE A3
.000 ± 0.10	±	THIRD ANGLE PROJECTION		DATE : 01/13/2014	/PART NO. E8144-B02022-L	REV 0
SCALE : 3:1		DO NOT SCALE DRAWING		SHEET 1 OF 1		