



Chipsmall Limited consists of a professional team with an average of over 10 year of expertise in the distribution of electronic components. Based in Hongkong, we have already established firm and mutual-benefit business relationships with customers from,Europe,America and south Asia,supplying obsolete and hard-to-find components to meet their specific needs.

With the principle of "Quality Parts,Customers Priority,Honest Operation,and Considerate Service",our business mainly focus on the distribution of electronic components. Line cards we deal with include Microchip,ALPS,ROHM,Xilinx,Pulse,ON,Everlight and Freescale. Main products comprise IC,Modules,Potentiometer,IC Socket,Relay,Connector.Our parts cover such applications as commercial,industrial, and automotives areas.

We are looking forward to setting up business relationship with you and hope to provide you with the best service and solution. Let us make a better world for our industry!



Contact us

Tel: +86-755-8981 8866 Fax: +86-755-8427 6832

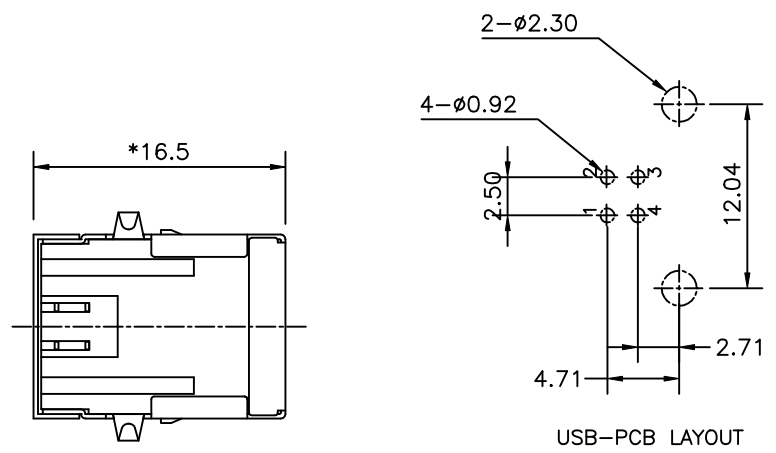
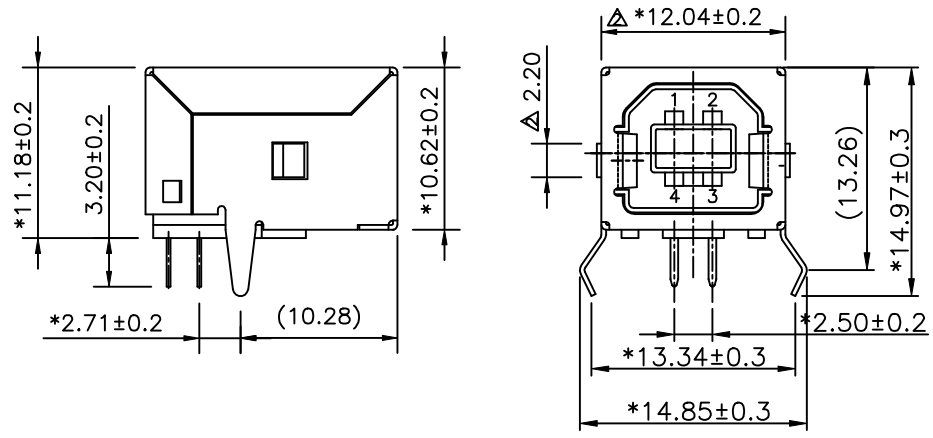
Email & Skype: info@chipsmall.com Web: www.chipsmall.com

Address: A1208, Overseas Decoration Building, #122 Zhenhua RD., Futian, Shenzhen, China



A1RFRD10

REVISION RECORD				
REV	ECO	DESCRIPTION	DRFT	CHKD
△		ADD P/N	JAM 9/28/05	
△		ADD DIM	ANKUE 9/30/05	
△		ADD P/N.	ANKUE 2/25/06	



- NOTES:
- MATERIAL:
 1. TERMINAL—C5191 PHOSPHOR BRONZE HARD. (t=0.25mm)
 SHIELD—COPPER ALLOY(t=0.30mm)
 HOUSING—PBT+30% G.F. UL94V-0
 - PLATING: CONTACT—GOLD PLATING OVER NICKEL
 SHIELD—120u" TIN MIN OVER 50u" NICKEL.
 OR 100u"~120u" NICKEL OVER 40u" Cu.
 - GAP: 0.25mm (Max.)
 - ELECTRICAL:
 VOLTAGE RATING : 30 VAC RMS.
 CURRENT RATING : 1.0 AMP
 CONTACT RESISTANCE : 30 MILLIOHMS MAX
 INSULATION RESISTANCE : 1000 MEGOHMS MIN @500 VDC
 DIELECTRIC STRENGTH : 750 VAC RMS 60 HZ, 1 MIN
 OPERATING LIFE : 1500 CYCLES MIN
 MATING FORCE : 3.5 KGS MAX
 UNMATING FORE : 1 KGS MIN
 - ENVIRONMENTAL:
 STORAGE : -40° C TO +85° C
 OPERATION : 0° C TO 70° C
 CAPACITANCE : 2 PF MAX 1KHZ
 - WAVE SOLDER TEMPERATURE: 230-250°C.(5-10 SECONDS)
 - UL & CUL FILE NO. E163191
 - ROHS PART NUMBER: E8144-BOX2X-L

- 1-NICKEL
- 2-TIN
- 0-PBT BLACK
- 3-PBT WHITE
- △A-PBT LUORESCENT BLUE
- △E-PBT BLUE
- 1-Au3u"
- 2-Au6u"
- 4-Au30u"
- 7-Pd30u"

DETACHED LISTS	MM (INCH)	DFTO SAMMY DATE 03/14/05	FULL RISE ELECTRONIC CO., LTD		
	TOLERANCES EXCEPT AS NOTED	CHKDASHHELLY DATE 2006/2/25			
	MM	MFO DATE	TITLE	SIZE	REV
	.0 ±0.20 ±	APPV LUSHENG DATE 2006/2/25	USB Series B	A3	3
.00 ±0.15 ±	MATERIAL :	4-Position Dip Type	DRAWING NO. GE813A02-LC		
.000 ±0.075 ±	ANGLES ±	QT'Y :	/PART NO. SEE NOTE		
THIRD ANGLE PROJECTION	FINISH :	SCALE :	DO NOT SCALE DRAWING	SHEET X OF Y	