



Chipsmall Limited consists of a professional team with an average of over 10 year of expertise in the distribution of electronic components. Based in Hongkong, we have already established firm and mutual-benefit business relationships with customers from,Europe,America and south Asia,supplying obsolete and hard-to-find components to meet their specific needs.

With the principle of “Quality Parts,Customers Priority,Honest Operation,and Considerate Service”,our business mainly focus on the distribution of electronic components. Line cards we deal with include Microchip,ALPS,ROHM,Xilinx,Pulse,ON,Everlight and Freescale. Main products comprise IC,Modules,Potentiometer,IC Socket,Relay,Connector.Our parts cover such applications as commercial,industrial, and automotives areas.

We are looking forward to setting up business relationship with you and hope to provide you with the best service and solution. Let us make a better world for our industry!



Contact us

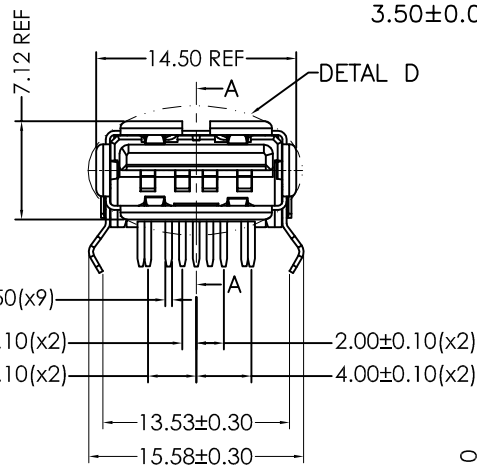
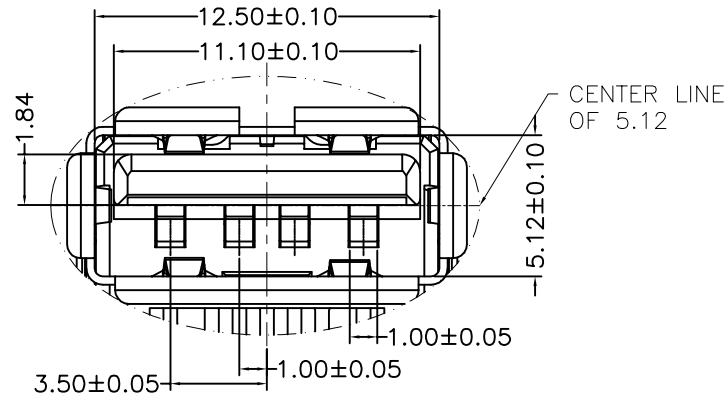
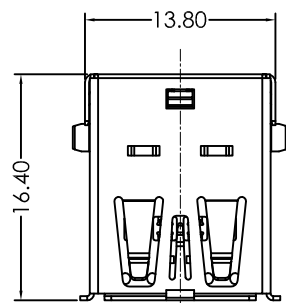
Tel: +86-755-8981 8866 Fax: +86-755-8427 6832

Email & Skype: info@chipsmall.com Web: www.chipsmall.com

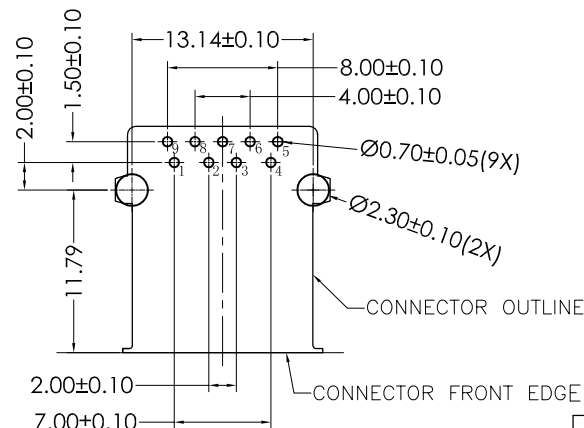
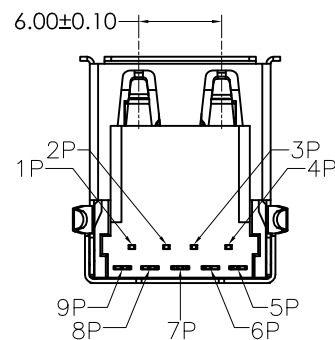
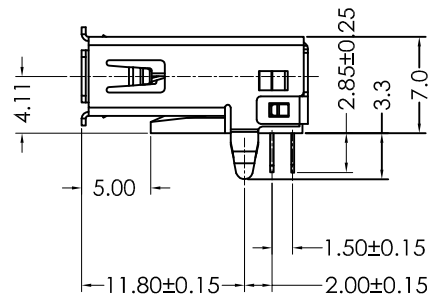
Address: A1208, Overseas Decoration Building, #122 Zhenhua RD., Futian, Shenzhen, China



REVISION RECORD		
REV	DESCRIPTION	DRFT



DETAL D
SCALE 2:1



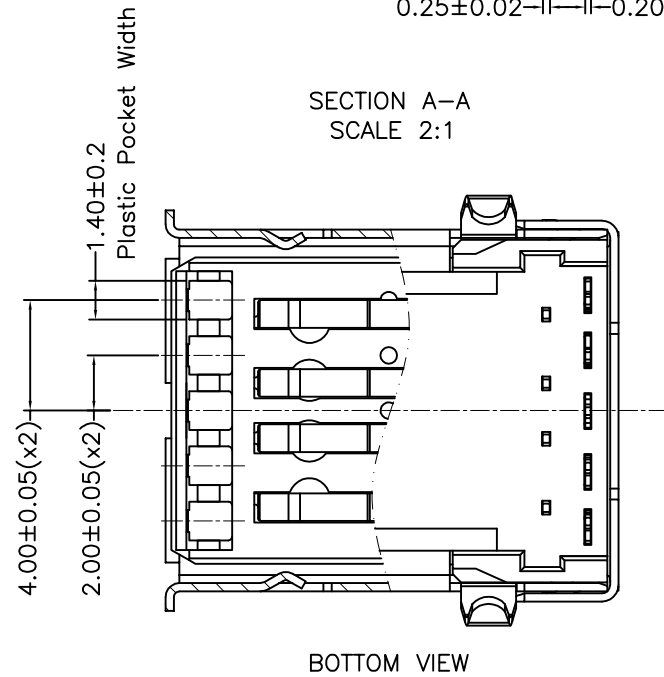
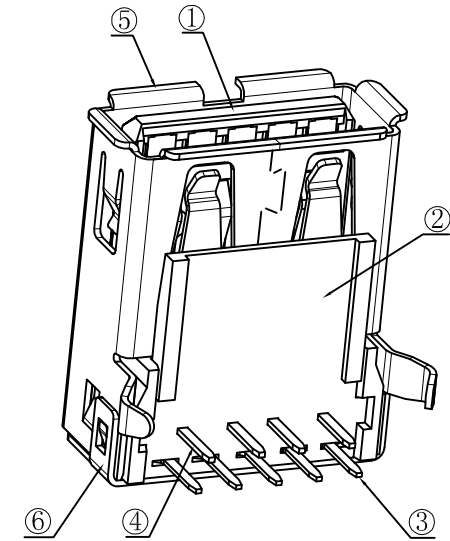
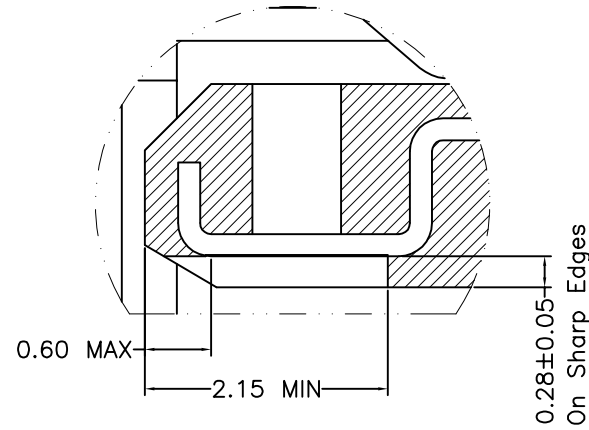
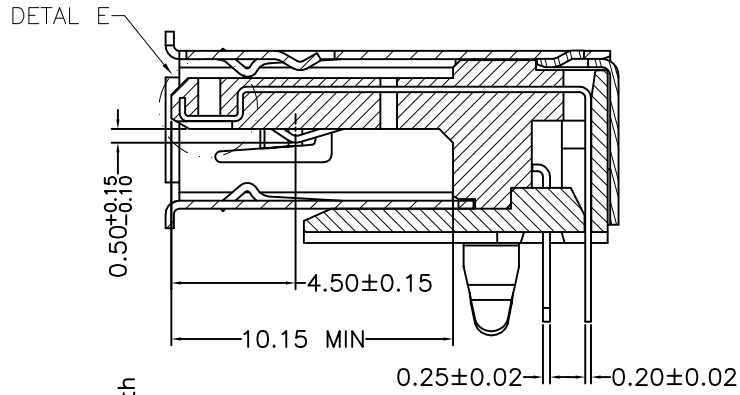
RECOMMENED PCB LAYOUT
TOP VIEW (TOLERANCE:1.6mm±0.05)

NOTES:

- MATERIAL:
HOUSING&COVER:PA9T UL 94V-0 COLOR:BLUE300C;
FRONTSIELD: PHOSPHOR BRONZE,
PLATING NICKEL 50u"MIN OVER ALL.
REAR SHIELD: STEEL,PLATING NICKEL80u"MIN OVERALL.
4PIN CONTACT:PHOSPHOR BROZNE;
5PINCONTACT:BRASS
PLATING GOLD 2u"MIN ON CONTACT AREA,
PLATING MATTE TIN 80u"MIN ON SOLDER AREA
NICKEL 50u"MIN UNDERPLATING OVER ALL
- CHARACTERISTICS:
CONTACT RESISTANCE:30mΩMAX.FOR Pin1&Pin4
50mΩMAX.FOR OTHER CONTACTS
INSULATION RESISTANCE:100M Ω Min.
DIELECTRICAL WITHSTANDING VOLTAGE:100 VAC .
MATING FORCE:3.57Kgf MAX(35N Max)
UNMATING FORCE:1.02Kgf Min(10N Min)
DURABILITY:1500 Cycles.
OTHERS:
OPERATION TEMPERATURE:-20°c to +80°c

DETAILED LISTS	MM (INCH)	DFTO: Roy	DATE 11/20/2012		RoHS Compliant		
	TOLERANCES EXCEPT AS NOTED	CHKD	DATE			TITLE USB 3.0 A TYPE RECEPTACLE	
	MM ±0.30 0±0.20 .00±0.10 .000±0.05	±	APPVL	DATE			
	ANGLES ± 2°	QTY :	MATERIAL :		DRAWING NO. E8199-001-01		SIZE A3
THIRD ANGLE PROJECTION	FINISH :	SCALE: 1:1		/PART NO. E8199-001-01		DO NOT SCALE DRAWING	SHEET 1 OF 2

REVISION RECORD		
REV	DESCRIPTION	DRFT



SECTION A-A
SCALE 2:1

DETAL E
SCALE 8:1

BOTTOM VIEW

DETACHED LISTS		DFTO: Roy	DATE: 11/20/2012		RoHS Compliant		
	TOLERANCES EXCEPT AS NOTED	CHKD:	DATE:				
	MM ± 0.30 .0 ± 0.20 .00 ± 0.10 .000 ± 0.05	± ± ±	APPVL:	DATE:	TITLE USB 3.0 A TYPE RECEPTACLE		
	ANGLES ± 2°		MATERIAL:				
		THIRD ANGLE PROJECTION	QTY:	FINISH:	DRAWING NO. E8199-001-01	SIZE A3	REV 01
		SCALE: 1:1	DO NOT SCALE DRAWING		SHEET 2 OF 2		