



Chipsmall Limited consists of a professional team with an average of over 10 year of expertise in the distribution of electronic components. Based in Hongkong, we have already established firm and mutual-benefit business relationships with customers from,Europe,America and south Asia,supplying obsolete and hard-to-find components to meet their specific needs.

With the principle of “Quality Parts,Customers Priority,Honest Operation,and Considerate Service”,our business mainly focus on the distribution of electronic components. Line cards we deal with include Microchip,ALPS,ROHM,Xilinx,Pulse,ON,Everlight and Freescale. Main products comprise IC,Modules,Potentiometer,IC Socket,Relay,Connector.Our parts cover such applications as commercial,industrial, and automotives areas.

We are looking forward to setting up business relationship with you and hope to provide you with the best service and solution. Let us make a better world for our industry!



Contact us

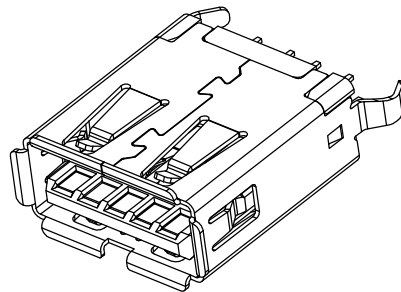
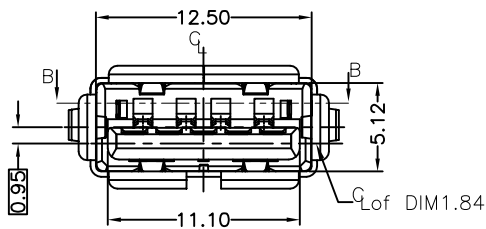
Tel: +86-755-8981 8866 Fax: +86-755-8427 6832

Email & Skype: info@chipsmall.com Web: www.chipsmall.com

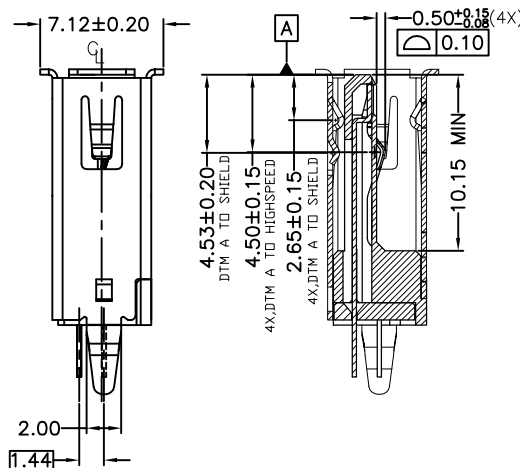
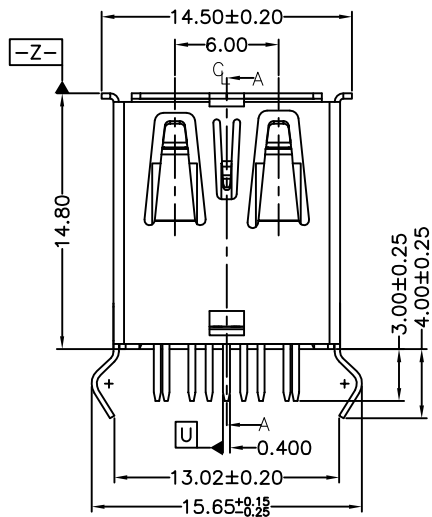
Address: A1208, Overseas Decoration Building, #122 Zhenhua RD., Futian, Shenzhen, China



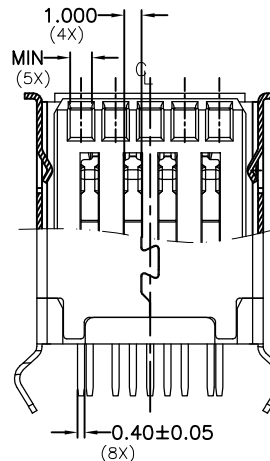
REVISION RECORD		
REV	DESCRIPTION	DRFT



NOTES:
MATERIAL:
1. HOUSING & COVER: PBT (UL 94V-0), COLOR: BLUE 300C ;
2. SHIELD: BRASS; PLATING NICKEL OVER ALL.
3. 4PIN CONTACT: PHOSPHOR BRONZE;
5PIN CONTACT: BRASS;
PLATING GOLD ON 5u" CONTACT AREA,
PLATING TIN 100u" ON SOLDER AREA,
NICKEL 50u" UNDERPLATING OVER ALL.

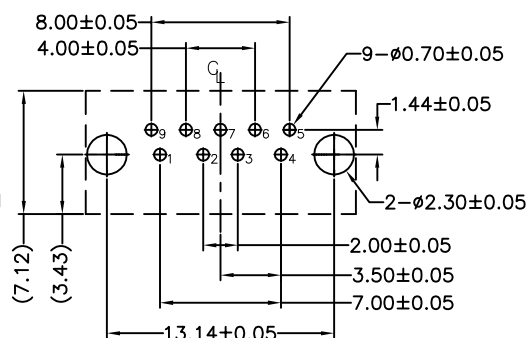
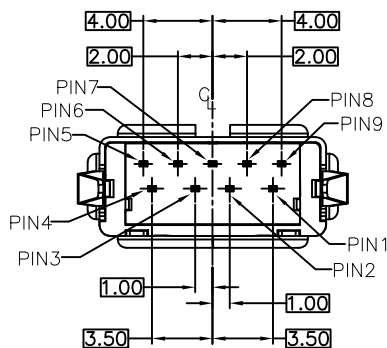


SECTION A-A
SCALE 1:1

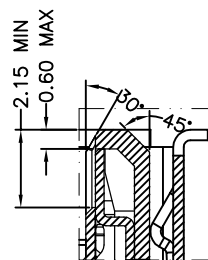


SECTION B-B
SCALE 1:1

CHARACTERISTICS:
1. CONTACT RESISTANCE: 30mΩ Max .FOR PIN 1 & PIN 4
50mΩ MAX.FOR OTHER CONTACTS
2. INSULATION RESISTANCE: 100MΩ Min.
3. DIELECTRIC WITHSTANDING VOLTAGE: 100 VAC .
4. MATING FORCE: 3.57Kgf MAX(35N Max)
5. EXTRACTION FORCE: 1.02Kgf Min(10N Min)
6. DURABILITY: 1500 CYCLES.
7. OPERATION TEMPERATURE: -20°C to +80°C



RECOMMEND P.C.B HOLE LAYOUT
TOP VIEW(TOLERANCE: 1.80±0.10)



DETAIL A
SCALE 1:1

MM (INCH)		DFTD Roy	DATE 11/20/2012		RoHS Compliant
TOLERANCES EXCEPT AS NOTED		CHKD	DATE		
MM		APPVL	DATE	TITLE RECEPTACLE, VERTICAL, THT	
.0 ± 0.30	±	MATERIAL :			
.0 ± 0.20	±	QT'Y :		DRAWING NO. E8199-002-01	
.00 ± 0.10	±	FINISH :		/PART NO. E8199-002-01	
.000 ± 0.05	±	SCALE : 1:1		DO NOT SCALE DRAWING	
ANGLES : X° ±2°		THIRD ANGLE PROJECTION		SIZE A3	REV 01
				SHEET 1 OF 1	