



Chipsmall Limited consists of a professional team with an average of over 10 year of expertise in the distribution of electronic components. Based in Hongkong, we have already established firm and mutual-benefit business relationships with customers from,Europe,America and south Asia,supplying obsolete and hard-to-find components to meet their specific needs.

With the principle of “Quality Parts,Customers Priority,Honest Operation,and Considerate Service”,our business mainly focus on the distribution of electronic components. Line cards we deal with include Microchip,ALPS,ROHM,Xilinx,Pulse,ON,Everlight and Freescale. Main products comprise IC,Modules,Potentiometer,IC Socket,Relay,Connector.Our parts cover such applications as commercial,industrial, and automotives areas.

We are looking forward to setting up business relationship with you and hope to provide you with the best service and solution. Let us make a better world for our industry!



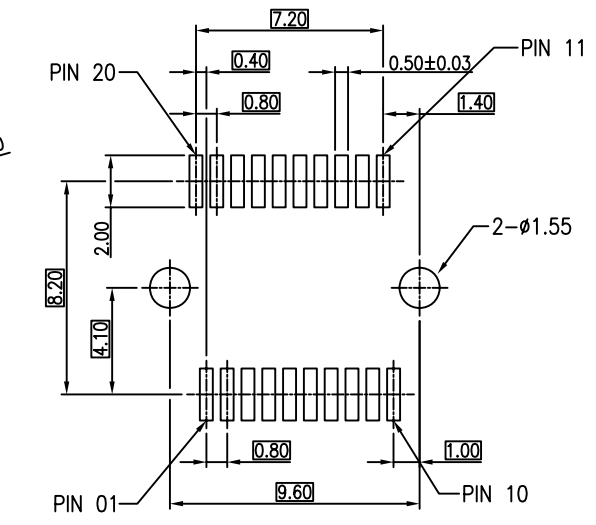
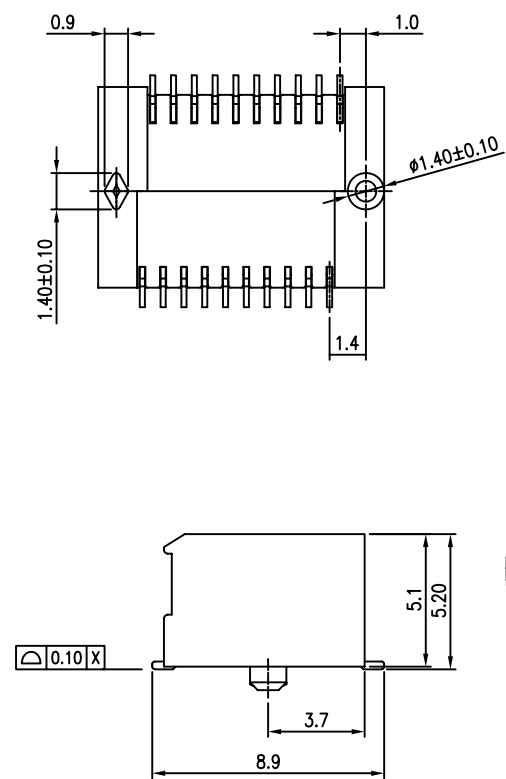
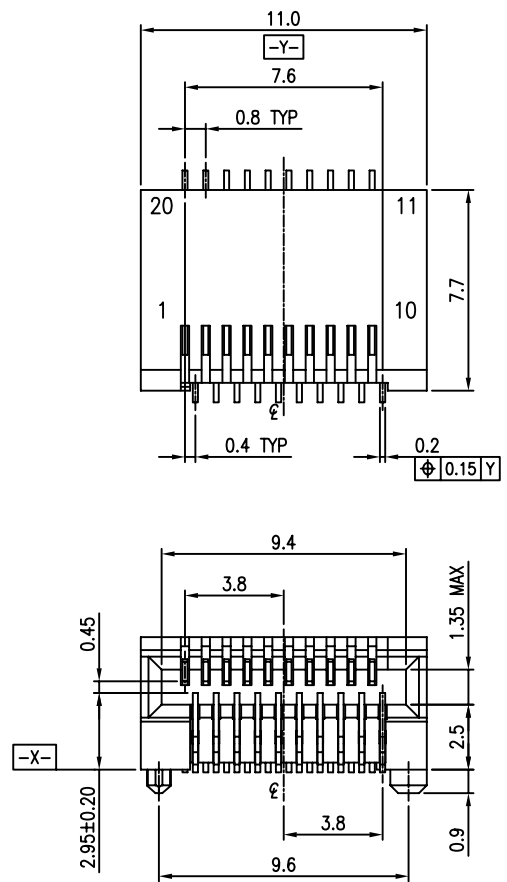
## Contact us

Tel: +86-755-8981 8866 Fax: +86-755-8427 6832

Email & Skype: info@chipsmall.com Web: www.chipsmall.com

Address: A1208, Overseas Decoration Building, #122 Zhenhua RD., Futian, Shenzhen, China





RECOMMENDED PCB LAYOUT (Top View)  
Tolerance: ±0.05

- Material:
1. Insulator: Glass-Reinforced Thermoplastic, UL 94V-0, Color: Black.
  2. Contact: Copper Alloy.  
Contact Plating: Gold Plating on Contact Area.  
Over Nickel underplating overall.
  3. ROHS Compliant
  4. Durability: 250 cycles min.
- Electrical:
1. Voltage Rating: 30 VAC.
  2. Current Rating: 0.5 A.
  3. Contact Resistance: 40 milliohms Max.
  4. Dielectric Withstanding Voltage: 500VAC Min.
  5. Insulation Resistance: 1000 Megaohms Min.
- Environmental:
1. Temperature Range: -40°C to +85°C.

PART NO.:	PART NUMBER	CONTACT	GOLD PLATING
	EB1M0-002-01-LT	20	15u''

DETACHED LISTS	MM (INCH)	RoHS Compliant				
	TOLERANCES EXCEPT AS NOTED		TITLE			
	MM		SFP CONNECTOR			
.0 ± 0.2	±	DFTO Peter		DRAWING NO. CE81M0-002-0X-LT	SIZE A3	REV 2
.00 ± 0.15	±	DATE 07/10/2008		/PART NO. SEE TABLE		
.000 ± 0.075	±	SCALE : 5:1		DO NOT SCALE DRAWING	SHEET 1	OF 1
ANGLES ± 0.5		THIRD ANGLE PROJECTION				