



Chipsmall Limited consists of a professional team with an average of over 10 year of expertise in the distribution of electronic components. Based in Hongkong, we have already established firm and mutual-benefit business relationships with customers from,Europe,America and south Asia,supplying obsolete and hard-to-find components to meet their specific needs.

With the principle of "Quality Parts,Customers Priority,Honest Operation,and Considerate Service",our business mainly focus on the distribution of electronic components. Line cards we deal with include Microchip,ALPS,ROHM,Xilinx,Pulse,ON,Everlight and Freescale. Main products comprise IC,Modules,Potentiometer,IC Socket,Relay,Connector.Our parts cover such applications as commercial,industrial, and automotives areas.

We are looking forward to setting up business relationship with you and hope to provide you with the best service and solution. Let us make a better world for our industry!



## Contact us

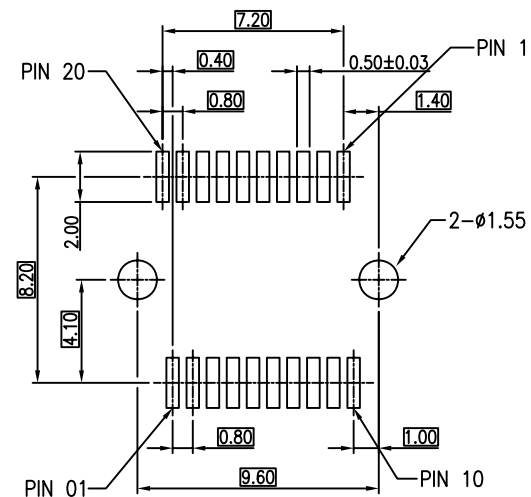
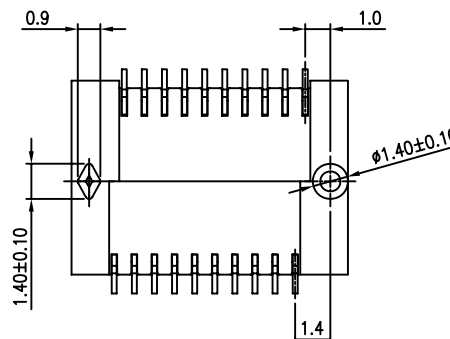
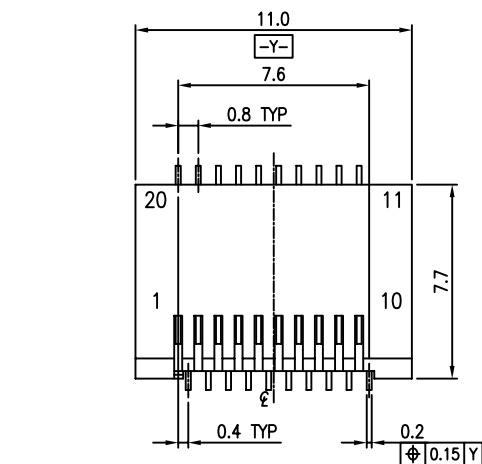
Tel: +86-755-8981 8866 Fax: +86-755-8427 6832

Email & Skype: info@chipsmall.com Web: www.chipsmall.com

Address: A1208, Overseas Decoration Building, #122 Zhenhua RD., Futian, Shenzhen, China

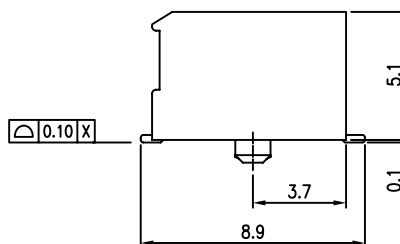
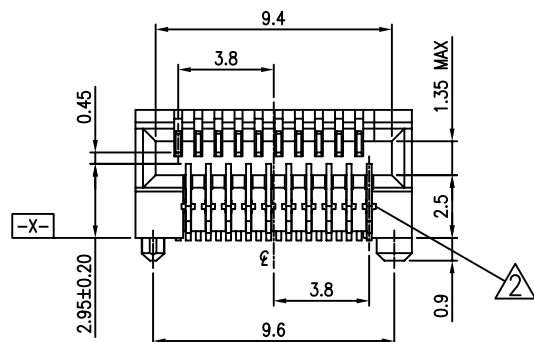


REVISION RECORD		
REV	DESCRIPTION	DRFT
1	NEW RELEASE	Jack 5/09/10'
2	ENGINEER CHANGE	Jack 1/11/12'



**RECOMMENDED PCB LAYOUT**

Tolerance:±0.05



**Material:**

1.Insulator:Glass-Reinforced Thermoplastic, UL 94V-0,Color:Black.

2.Contact:Copper Alloy.

Contact Plating:Gold Plating on Contact Area.  
Over Nickel underplating overall.

3.ROHS Compliant

4.Durability:250 cycles min.

**Electrical:**

1.Voltage Rating:100VAC.

2.Current Rating:1A.

3.Contact Resistance:40 milliohms Max.

4.Dielectric Withstanding Voltage:500VAC Min.

5.Insulation Resistance:1000 Megaohms Min.

**Environmental:**

1.Temperature Range:-40°c to +85°c.

PART NO.:	PART NUMBER	REV	GOLD PLATING
	E81M0-002-01-LT	A	15u''
	E81M0-002-02-LT	A	30u''

MM (INCH)		RoHS Compliant		Pulse Electronics	
TOLERANCES EXCEPT AS NOTED					
MM					
.0	± 0.25				
.00	± 0.20				
.000	± 0.10				
ANGLES ± 0.5°		TITLE			
THIRD ANGLE PROJECTION		SFP CONNECTOR			
DFTO : PETER		DRAWING NO. CE81M0-002-XX-LT		SIZE	REV
DATE : 07/07/2008		/PART NO. CE81M0-002-XX-LT		A3	2
SCALE : 5:1		DO NOT SCALE DRAWING		SHEET	OF
				1	1

8

7

6

5

4

3

2

1