



Chipsmall Limited consists of a professional team with an average of over 10 year of expertise in the distribution of electronic components. Based in Hongkong, we have already established firm and mutual-benefit business relationships with customers from,Europe,America and south Asia,supplying obsolete and hard-to-find components to meet their specific needs.

With the principle of “Quality Parts,Customers Priority,Honest Operation,and Considerate Service”,our business mainly focus on the distribution of electronic components. Line cards we deal with include Microchip,ALPS,ROHM,Xilinx,Pulse,ON,Everlight and Freescale. Main products comprise IC,Modules,Potentiometer,IC Socket,Relay,Connector.Our parts cover such applications as commercial,industrial, and automotives areas.

We are looking forward to setting up business relationship with you and hope to provide you with the best service and solution. Let us make a better world for our industry!



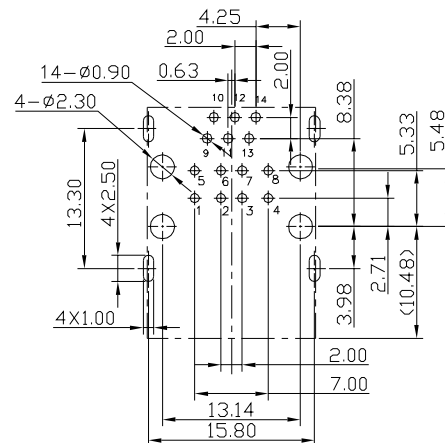
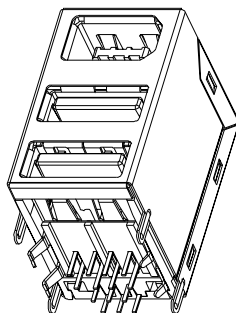
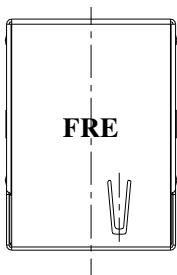
Contact us

Tel: +86-755-8981 8866 Fax: +86-755-8427 6832

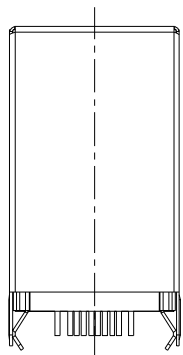
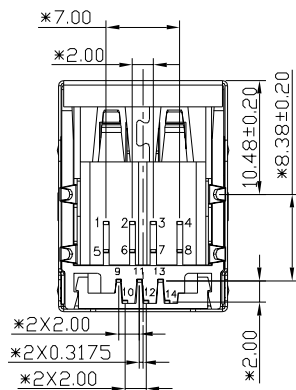
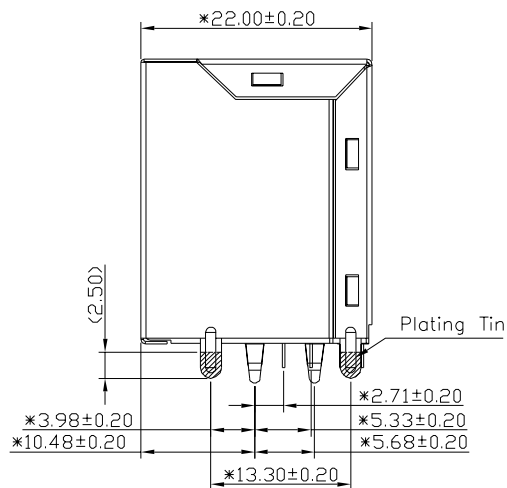
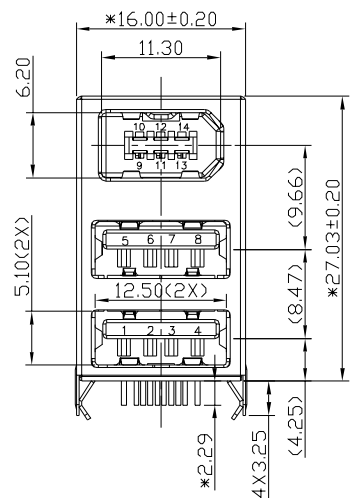
Email & Skype: info@chipsmall.com Web: www.chipsmall.com

Address: A1208, Overseas Decoration Building, #122 Zhenhua RD., Futian, Shenzhen, China





PC BOARD LAYOUT T=1.6mm
COMPONENT SIDE SHOWN TOLERANCE±0.05mm



BACK VIEW

NOTES

MATERIAL:

1. USB IS BASED ON USB STANDARD SPECIFICATIONS;
1394 IS BASED ON 1394 STANDARD SPECIFICATIONS.
2. HOUSING MATERIAL : GLASS FILLED NYLON UL94V-0
3. PLATE MATERIAL : GLASS FILLED NYLON UL94V-0
4. SHIELD MATERIAL : COPPER ALLOY(T=0.25) PLATING NIKEL.
5. CONTACT MATERIAL : USB USE STANDARD USB CONTACT.
1394 USE PHOSPHOR BRONZE ,PLATING NICKEL OVER ALL.
PLATING GOLD ON CONTACT AREA.

ELECTRICAL CHARACTERISTICS:

1. CONTACT CURRENT RATING:USB 1 AMPERE & 1394 1.5 AMPERE MAX.
2. CONTACT RESISTANCE :30 MILLIOHMS MAX.
3. DIELECTRIC WITHSTANDING VOLTAGE:USB 750VAC MIN.
1394 500VAC MIN.
4. INSULATION RESISTANCE : IEEE1394 100 MEGOHMS MIN
USB 1000 MEGOHMS MIN .

MECHANICAL CHARACTERISTICS:

1. OPERATING TEMPERATURE : -40°C TO +85°C.
2. Wave Soldering Temperature: 255~265°C (5~10 SECONDS)
3. CONNECTOR MATING FORCE: 4.0Kgf MAX.
4. CONNECTOR UNMATING FORCES: 1.0Kgf TO 4.0Kgf.
5. DURABILITY: 1500 CYCLES.
6. RoHS COMPLIANT.

PART NUMBER
E828B-221A14-L

DETACHED LISTS	MM (INCH)	RoHS Compliant		
	TOLERANCES EXCEPT AS NOTED			
	MM		TITLE	
	.0 ± 0.2		IEEE1394 OVER STACKED USB RECEPTACLE CONNECTOR	
	.00 ± 0.15		DF TO Cathy	DRAWING NO. CE823034-LA
	.000 ± 0.075		DATE 2006/09/14	/PART NO. SEE TABLE
	ANGLES ± 0.5		SCALE : 2:1	DO NOT SCALE DRAWING
	THIRD ANGLE PROJECTION			SHEET 1 OF 1
				SIZE REV
				A3 0