



Chipsmall Limited consists of a professional team with an average of over 10 year of expertise in the distribution of electronic components. Based in Hongkong, we have already established firm and mutual-benefit business relationships with customers from,Europe,America and south Asia,supplying obsolete and hard-to-find components to meet their specific needs.

With the principle of “Quality Parts,Customers Priority,Honest Operation,and Considerate Service”,our business mainly focus on the distribution of electronic components. Line cards we deal with include Microchip,ALPS,ROHM,Xilinx,Pulse,ON,Everlight and Freescale. Main products comprise IC,Modules,Potentiometer,IC Socket,Relay,Connector.Our parts cover such applications as commercial,industrial, and automotives areas.

We are looking forward to setting up business relationship with you and hope to provide you with the best service and solution. Let us make a better world for our industry!



Contact us

Tel: +86-755-8981 8866 Fax: +86-755-8427 6832

Email & Skype: info@chipsmall.com Web: www.chipsmall.com

Address: A1208, Overseas Decoration Building, #122 Zhenhua RD., Futian, Shenzhen, China



Monitoring Relays AC Current Transformer Type E 83-20-50

CARLO GAVAZZI



- 7 input ranges in one unit:
 - 0 - 5 AAC
 - 0 - 10 AAC
 - 0 - 15 AAC
 - 0 - 20 AAC
 - 0 - 25 AAC
 - 0 - 30 AAC
 - 0 - 50 AAC
- Output 4-20 mADC
- Easy interface to PLC or setpoint relays
- For mounting on DIN-rail in accordance with DIN/EN 50 022
- 22.5 mm small Euronorm housing

Product Description

Small AC current metering transformer with 7 knob selectable ranges. Output from the transformer is 4-20 mADC in accordance with IEC 60381-1. Can be used with relays DIB01, PIB01, DIC01 or PIC01 or directly connected to a PLC.

Power supply ON is indicated by a green LED. 12 mm hole for isolated current carrying wire makes it suitable for most applications. For mounting on DIN-rail or directly on surface by screws.

Ordering Key

E 83-20 50

Type _____
 Output _____
 Input current (highest range) _____

Type Selection

Input current	Output current	Switch position	Type no.
0- 5 AAC	4 - 20 mA	5	E83-20 50
0-10 AAC	4 - 20 mA	10	E83-20 50
0-15 AAC	4 - 20 mA	15	E83-20 50
0-20 AAC	4 - 20 mA	20	E83-20 50
0-25 AAC	4 - 20 mA	25	E83-20 50
0-30 AAC	4 - 20 mA	30	E83-20 50
0-50 AAC	4 - 20 mA	50	E83-20 50

Input Specifications

Current range	0 - 5 AAC	0 - 10 AAC	0 - 15 AAC	0 - 20 AAC
Max. current (continuously)	100 AAC	100 AAC	100 AAC	100 AAC
Max. overload current (t = 30 s)	300 AAC	300 AAC	300 AAC	300 AAC
Overvoltage category	III (IEC 60664)	III (IEC 60664)	III (IEC 60664)	III (IEC 60664)
Frequency range	40 Hz - 1 kHz	40 Hz - 1 kHz	40 Hz - 1 kHz	40 Hz - 1 kHz

Current range	0 - 25 AAC	0 - 30 AAC	0 - 50 AAC
Max. current (continuously)	100 AAC	100 AAC	100 AAC
Max. overload current (t = 30 s)	300 AAC	300 AAC	300 AAC
Overvoltage category	III (IEC 60664)	III (IEC 60664)	III (IEC 60664)
Frequency range	40 Hz - 1 kHz	40 Hz - 1 kHz	40 Hz - 1 kHz

Output Specifications

Output current (sink)	4-20 mADC
Maximum output current	30 mADC
Tolerance of output current @ 50 Hz	± 2%
Temperature variation	± 400 ppm/°C
Frequency variation	10 ppm/Hz
Power supply (loop voltage)	10-40 VDC

General Specifications

Power ON delay	< 2 s
Reaction time	T < 200 ms
Indication for Power supply ON	LED, green
Environment	
Degree of protection	IP 20
Pollution degree	3
Operating temperature	-20° to +50°C (-4° to +122°F)
Housing	
Dimensions	22.5 x 56 x 49 mm
Material	ABS
Weight	70 g
Approval	UL
CE Marking	Yes
EMC	
Immunity	Electromagnetic Compatibility According to EN 61000-6-1 (tolerance of output current: ± 2%) According to EN 61000-6-2 (tolerance of output current: ± 5%)
Emission	According to EN 61000-6-3

Mode of Operation

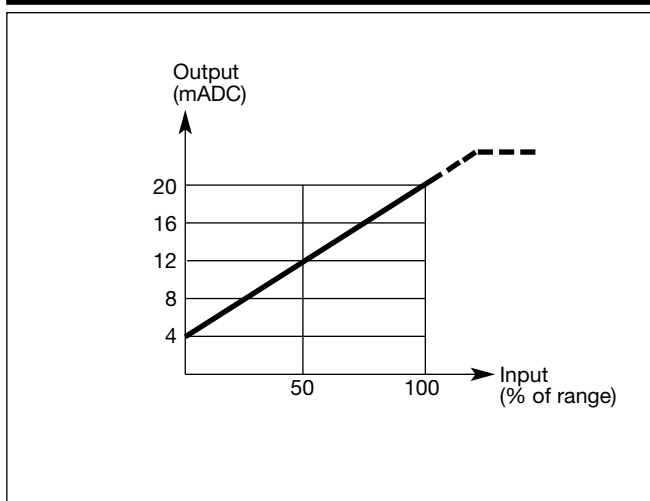
The E 83-20 is a small AC current metering transformer with standardized 4-20 mADC output. This makes it very useful as an AC current interface to a PLC with 4-20 mADC input. Used with relays DIB01, PIB01, DIC01 or PIC01, one

or more setpoints can monitor the current and signal alarm. In the 5 A range the E 83-20 is often used as a 4-20 mADC signal converter for larger standard AC current transformers with 5 AAC secondary output.

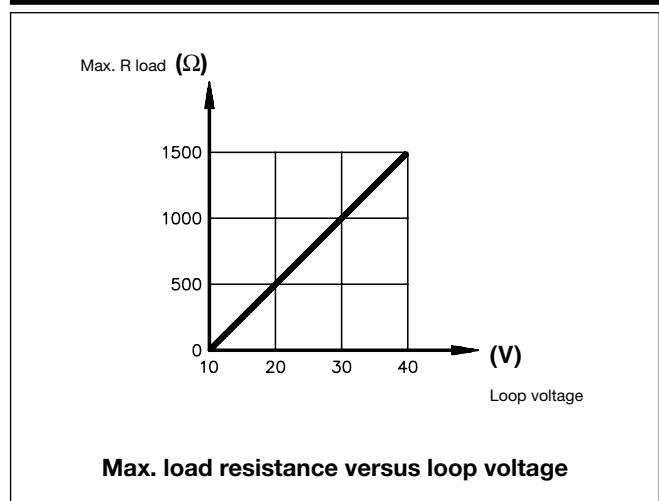
The metered conductor is drawn through the central hole of the current metering transformer. It is possible to measure currents below the nominal range by drawing the conductor through the hole several times. If the conductor is drawn through

the central hole e.g. 5 times, the transformer will register 5 AAC when the current in the conductor is 1 AAC.

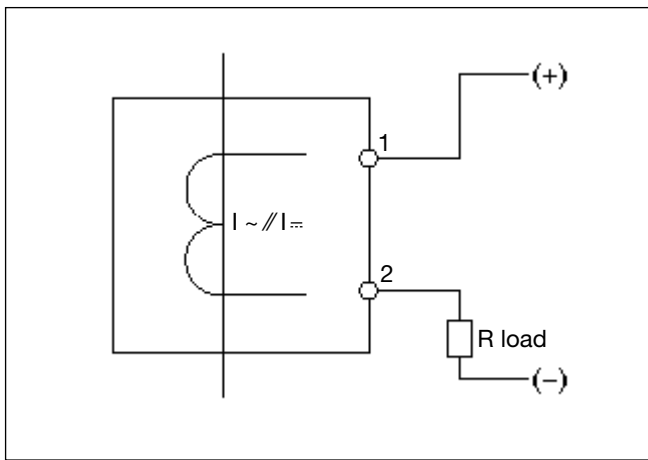
Input/Output Curve



Resistance/Voltage Curve



Wiring Diagram



Dimensions

