



Chipsmall Limited consists of a professional team with an average of over 10 year of expertise in the distribution of electronic components. Based in Hongkong, we have already established firm and mutual-benefit business relationships with customers from,Europe,America and south Asia,supplying obsolete and hard-to-find components to meet their specific needs.

With the principle of "Quality Parts,Customers Priority,Honest Operation,and Considerate Service",our business mainly focus on the distribution of electronic components. Line cards we deal with include Microchip,ALPS,ROHM,Xilinx,Pulse,ON,Everlight and Freescale. Main products comprise IC,Modules,Potentiometer,IC Socket,Relay,Connector.Our parts cover such applications as commercial,industrial, and automotives areas.

We are looking forward to setting up business relationship with you and hope to provide you with the best service and solution. Let us make a better world for our industry!



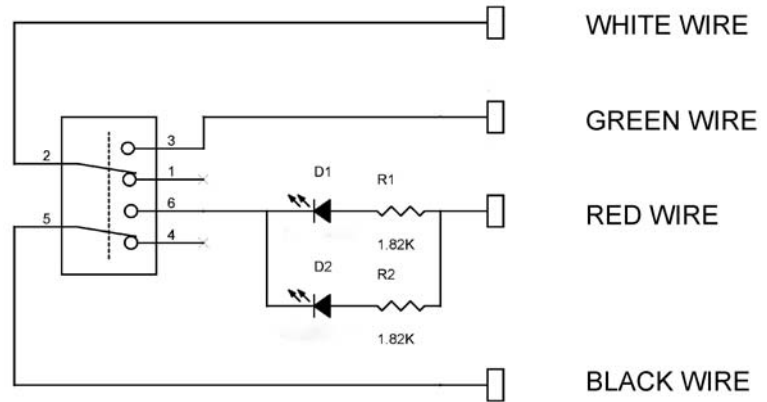
Contact us

Tel: +86-755-8981 8866 Fax: +86-755-8427 6832

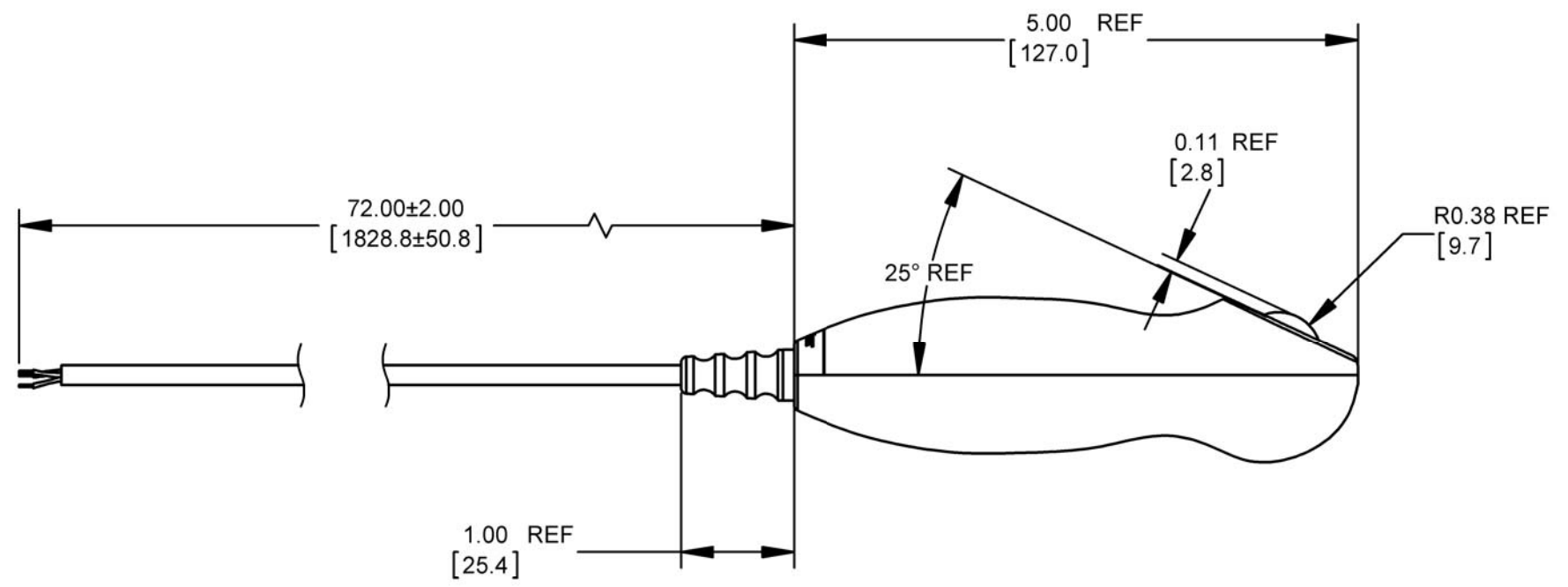
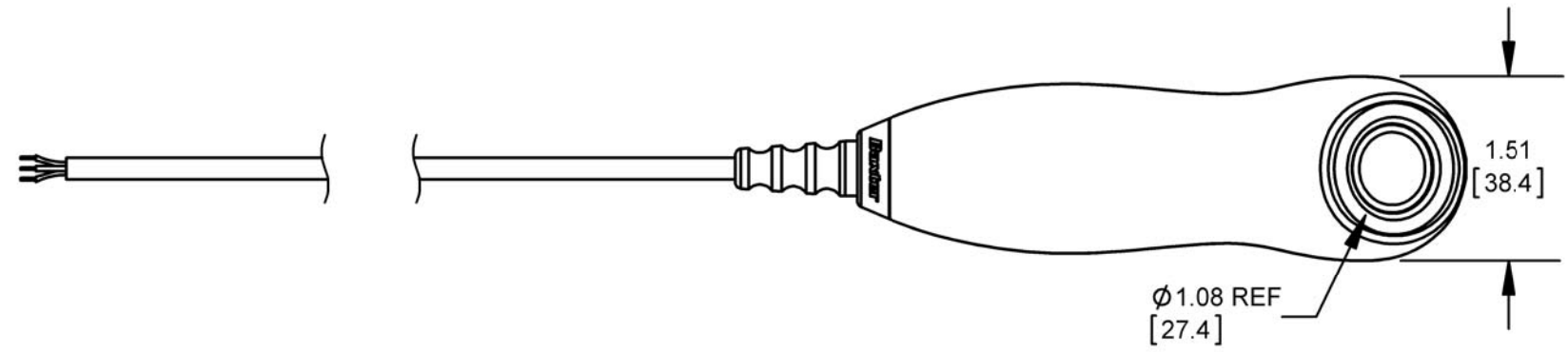
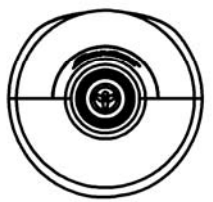
Email & Skype: info@chipsmall.com Web: www.chipsmall.com

Address: A1208, Overseas Decoration Building, #122 Zhenhua RD., Futian, Shenzhen, China





SCHEMATIC CIRCUIT
1A WITH LEDs



NOTES:

- SPECIFICATIONS:**
 ALTERNATE ACTION
 SWITCH: SINGLE POLE N.O. FOR CONTROLLING LOADS
 KEY TRAVEL 0.14 INCHES
 GOLD CONTACT FINISH IN CONTACT AREA
 SWITCHING VOLTAGE OF N.O. CONTACTS: 28VOLTS DC
 MAXIMUM SWITCHING CURRENT 250mA
 LED VOLTAGE 4.75 TO 28 VOLTS DC AT RED WIRE REF TO BLACK WIRE
 OPERATING LIFE 100,000 CYCLES
 OPERATING TEMPERATURE -25 TO +75°C
 ACTUATING FORCE LESS THAN 3 lb
 IP66
- MATERIALS:**
 SWITCH HOUSING: GRAY THERMOPLASTIC
 ACTUATING BUTTON: NATURAL COLORED ELASTOMER
 CONTACTS: COPPER ALLOY WITH GOLD PLATING IN CONTACT AREA
 TERMINALS COPPER ALLOY, PLATED TIN
 STRAIN RELIEF: NATURAL COLORED ELASTOMER
 CABLE: 4 CONDUCTOR, 26 AWG STRANDED, GRAY PVC JACKET

CUSTOMER DRAWING

					THIS DRAWING DESCRIBES A DESIGN CONSIDERED PROPRIETARY IN NATURE, DEVELOPED AND MANUFACTURED BY SWITCHCRAFT INC. AND IS RELEASED ON A CONFIDENTIAL BASIS FOR IDENTIFICATION PURPOSES ONLY.				
					SIZE *	WIDTH *	MULT *	LBS/M *	TEMPER *
					FINISH *			MATERIAL *	
					SPEC No. *			SPEC No. *	
					FIRST USED ON *		SCALE 1:1		
DATE DRAWN		BY	CHKD		APVD				
1-14-16		SRC	12-5-16		TJK				
			SRC		2-1-17		SHEET 1 OF 1		
REV					NAME		PART No.		REV
ECO NUMBER					PENDANT, PL-PR WITH BLUE LED		E921KALN		A
DATE					DO NOT SCALE DRAWING				
BY									
APVD					SolidWorks CAD File				
REVISIONS									

