



Chipsmall Limited consists of a professional team with an average of over 10 year of expertise in the distribution of electronic components. Based in Hongkong, we have already established firm and mutual-benefit business relationships with customers from,Europe,America and south Asia,supplying obsolete and hard-to-find components to meet their specific needs.

With the principle of “Quality Parts,Customers Priority,Honest Operation,and Considerate Service”,our business mainly focus on the distribution of electronic components. Line cards we deal with include Microchip,ALPS,ROHM,Xilinx,Pulse,ON,Everlight and Freescale. Main products comprise IC,Modules,Potentiometer,IC Socket,Relay,Connector.Our parts cover such applications as commercial,industrial, and automotives areas.

We are looking forward to setting up business relationship with you and hope to provide you with the best service and solution. Let us make a better world for our industry!



## Contact us

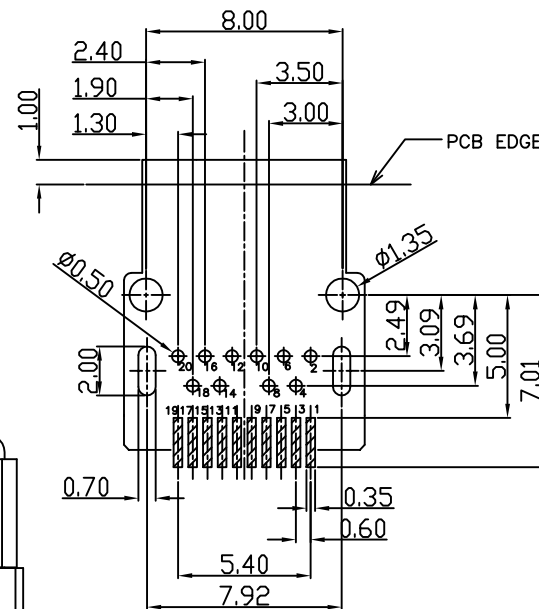
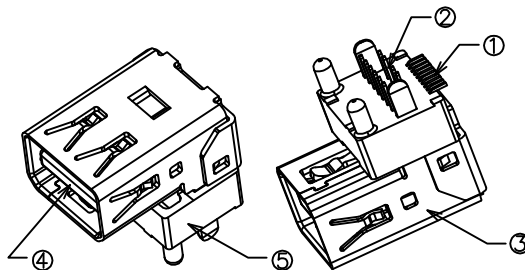
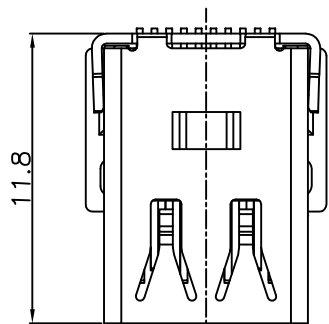
Tel: +86-755-8981 8866 Fax: +86-755-8427 6832

Email & Skype: info@chipsmall.com Web: www.chipsmall.com

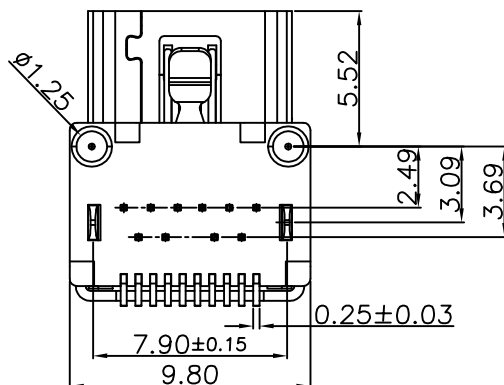
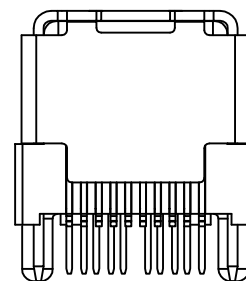
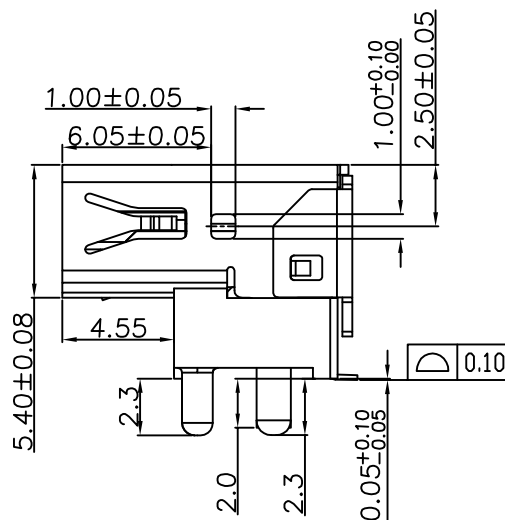
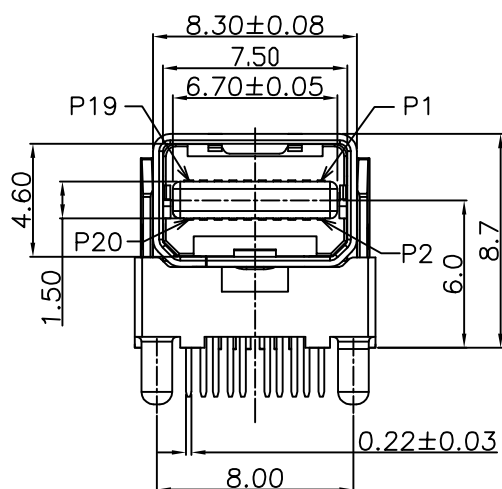
Address: A1208, Overseas Decoration Building, #122 Zhenhua RD., Futian, Shenzhen, China



REVISION RECORD		
REV	DESCRIPTION	DRFT



RECOMMENDED PCB LAYOUT  
 <BOTTOM VIEW>  
 NOTE : TOLERANCE FOR PCB LAYOUT IS ± 0.05



P/N	FINISH
E9320-001-02	Au 30u"
E9320-001-01	GOLD FLASH

ITEM	DESCRIPTIONs	MATERIAL	FINISH	Q'TY	NOTE
5	COVER	LCP		1	BLACK
4	MOLDING	LCP		1	BLACK
3	SHIELD	STEEL	NI	1	t=0.40
2	TERMINAL2	PHOSPHOR BRONZE	Au	1	t=0.20
1	TERMINAL1	PHOSPHOR BRONZE	Au	1	t=0.20

DETACHED LISTS	MM (INCH)	DFTD Roy	DATE 11/20/2012	<b>Pulse Electronics</b>	<b>RoHS Compliant</b>
	TOLERANCES EXCEPT AS NOTED	CHKD	DATE		
	MM .0 ± 0.38 .0 ± 0.25 .00 ± 0.15	± ± ±	APPVL	DATE	TITLE THUNDERBOLT(MINI DISPLAYPORT) RECEPTACLE
	X* X*X'	±1* ±0.5*	MATERIAL :	QT'Y :	
	THIRD ANGLE PROJECTION	FINISH :	DRAWING NO. SEE TABLE		
SCALE : 1:1		DO NOT SCALE DRAWING		SHEET 1 OF 1	