



Chipsmall Limited consists of a professional team with an average of over 10 year of expertise in the distribution of electronic components. Based in Hongkong, we have already established firm and mutual-benefit business relationships with customers from,Europe,America and south Asia,supplying obsolete and hard-to-find components to meet their specific needs.

With the principle of “Quality Parts,Customers Priority,Honest Operation,and Considerate Service”,our business mainly focus on the distribution of electronic components. Line cards we deal with include Microchip,ALPS,ROHM,Xilinx,Pulse,ON,Everlight and Freescale. Main products comprise IC,Modules,Potentiometer,IC Socket,Relay,Connector.Our parts cover such applications as commercial,industrial, and automotives areas.

We are looking forward to setting up business relationship with you and hope to provide you with the best service and solution. Let us make a better world for our industry!



Contact us

Tel: +86-755-8981 8866 Fax: +86-755-8427 6832

Email & Skype: info@chipsmall.com Web: www.chipsmall.com

Address: A1208, Overseas Decoration Building, #122 Zhenhua RD., Futian, Shenzhen, China





Wireless Door/Window Sensor

E3T-MDCCP (315 MHz)
E8T-MDCCP (868 MHz)
E9T-MDCCP (902 MHz)

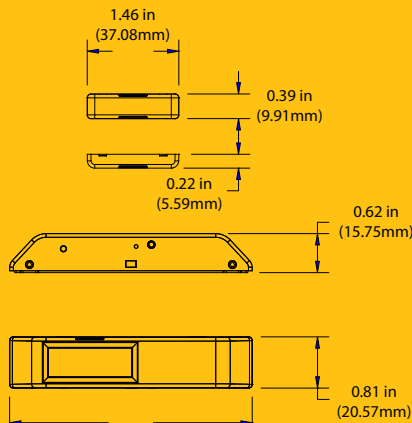
The ILLUMRA Wireless Door/Window Sensor maximizes the energy savings of heating and air conditioning systems by providing wireless status of windows and/or doors. The sensor uses a magnet contact switch that is powered by a solar cell and communicates with a wide variety of ILLUMRA products.

Energy waste can be reduced by 20 to 60 percent by disabling blowers and/or adjusting temperature setpoints in HVAC systems when windows and doors are left open. The wireless Door/Window Sensor is a key component to reducing energy waste in hotel, condominium and dormitory buildings.

Using a simple 'peel and stick' process, the Wireless Door/Window Sensor makes it quick and easy to provide energy savings.

Applications

- HVAC interlock – save energy when doors/windows are left open
- Hotel occupancy – Used with motion sensor to determine occupancy
- Commercial Coolers – notify when doors are left open
- Security – Alarm when windows or doors are opened



ILLUMRA
Lindon, UT 84042

T: (801) 349-1200

Sales@ILLUMRA.com
Info@ILLUMRA.com
www.ILLUMRA.com

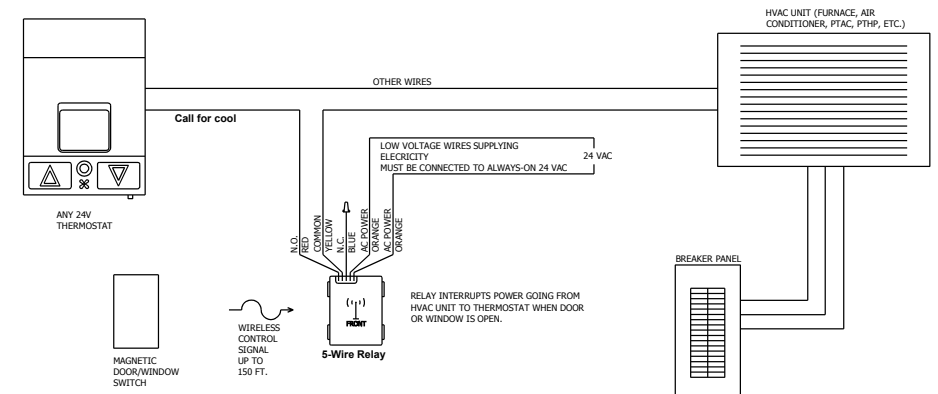
Features

- No Batteries – No Maintenance
- Solar powered – operates several days in darkness when fully charged
- Install in minutes
- Security screws included for tamper resistance
- Eliminate the need to pull wires to sensors



	E3T-MDCCP, E8T-MDCCP*, E9T-MDCCP
Range	15-60 feet (5-20m) typical
Frequency	315, 868* or 902 MHz
Power Supply	Integrated Solar Cell
Sensor Type	Magnetic Reed Switch
Start-up time w/ empty storage	~2.5 minutes @ 400 lux, 25°C
Operating time in darkness	5 days when fully charged
EEP (EnOcean Equipment Profile)	D5-00-01
Operating Temperature	-4° to +140°F (-20° to +60°C)
Storage Temperature	-40° to +140°F (-40° to +60°C)
Dimensions (enclosure)	3.9 x 0.6 x 0.8 inches 98 x 15.8 x 20.6 mm
Radio Certification	FCC (United States), IC (Canada) *868Mhz not FCC or IC approved

Network Diagram



This device or certain aspects thereof is protected by at least one U.S. or international patent or has at least one such patent application pending.



AHD0355B

ILLUMRA is a trademark of Ad Hoc Electronics, L.L.C. Other trademarks herein are the property of their respective owners.