



Chipsmall Limited consists of a professional team with an average of over 10 year of expertise in the distribution of electronic components. Based in Hongkong, we have already established firm and mutual-benefit business relationships with customers from,Europe,America and south Asia,supplying obsolete and hard-to-find components to meet their specific needs.

With the principle of “Quality Parts,Customers Priority,Honest Operation,and Considerate Service”,our business mainly focus on the distribution of electronic components. Line cards we deal with include Microchip,ALPS,ROHM,Xilinx,Pulse,ON,Everlight and Freescale. Main products comprise IC,Modules,Potentiometer,IC Socket,Relay,Connector.Our parts cover such applications as commercial,industrial, and automotives areas.

We are looking forward to setting up business relationship with you and hope to provide you with the best service and solution. Let us make a better world for our industry!



Contact us

Tel: +86-755-8981 8866 Fax: +86-755-8427 6832

Email & Skype: info@chipsmall.com Web: www.chipsmall.com

Address: A1208, Overseas Decoration Building, #122 Zhenhua RD., Futian, Shenzhen, China





3-Wire Relay Receiver

315Mhz Receivers
 E3X-R12-3HOTP (120 VAC)
 E3X-R24-3HOTP (240 VAC)
 E3X-R27-3HOTP (277 VAC)

902MHz Receivers
 E9X-R12-3HOTP (120 VAC)
 E9X-R24-3HOTP (240 VAC)
 E9X-R27-3HOTP (277 VAC)

ILLUMRA™ single channel relay receivers allow lights to be controlled by ILLUMRA self-powered switches, remotes, and sensors. The line-voltage relays help simplify advanced wireless lighting control.

Easy-To-Use

- Installs in minutes, programs in seconds
- Requires no switch leg or traveler wires
- Compatible with ILLUMRA transmitters

Reliable Range

- 50-150 foot range (typical)
- Each unit stores up to 25 light switch IDs
- Error checking on all packet transfers

Save Time and Money

Avoid costly and time-consuming installation of hardwire switches in your remodel or retrofit by choosing wireless ILLUMRA switches and receivers.

Save Energy

Conserve energy and save money by connecting the receiver to an ILLUMRA occupancy sensor or by programming all lights to respond to a single master switch. ILLUMRA makes it easy to keep lights and systems off when not in use!

Simple Wireless Controls

- Architectural lighting
- Load shedding
- Manual or Automatic ON/ OFF motion controls

Control The Way You Want It

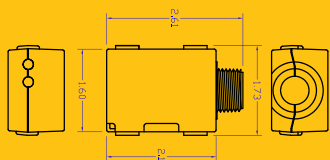
- Control the 3-Wire Relay Receiver with a variety of devices:
- Self-powered wireless light switches
- Wireless occupancy sensors, Manual or Automatic ON



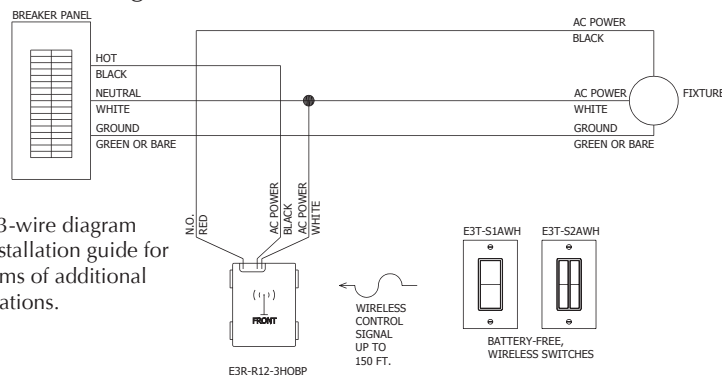
		E3X-R12-3HOTP E9X-R12-3HOTP	E3X-R24-3HOTP E9X-R24-3HOTP	E3X-R27-3HOTP E9X-R27-3HOTP
Range		50-150 feet (typical)		
Frequency		315 or 902 MHz		
Relay Output		120 VAC	240 VAC	277 VAC
Max Loads/ Contact Ratings	Tungsten / Incandescent	1500 W	3000 W	3400 W
	Fluorescent Ballast	8 A		
	General Duty	16 A		
	A300 Pilot Duty	360 VA	720 VA	830 VA
Power Supply		120 VAC 50/60 Hz	240 VAC 50/60 Hz	277 VAC 50/60 Hz
Output Channels		1 FORM A Relay		
Memory		Stores up to 25 switch IDs		
Dimensions		2.11 x 1.73 x 1.09 inches (54 x 44 x 28 mm)		
Operating Temperature		14° to +122°F (-10° to +50°C)		
Storage Temperature		-4° to +176°F (-20° to +80°C)		
Transmitted EEP (EnOcean Equipment Profile)		A5-38-08		
Radio Certification		FCC (United States): SZV-TCM2XXC I.C. (Canada): 5713A-TCM2XXC		
Safety Approval		ETL (U.S.): UL244A ETL (Canada): CSAc22.2#14-05		
Plenum Rating		UL2043		

Network Diagram

Threaded Nipple Relay



Basic 3-wire diagram
 See installation guide for diagrams of additional applications.



ILLUMRA
 Lindon, UT 84042

T: (801) 349-1200
 Sales@ILLUMRA.com
 Info@ILLUMRA.com
 www.ILLUMRA.com

This device or certain aspects thereof is protected by at least one U.S. or international patent or has at least one such patent application pending.



AHD0200D

ILLUMRA is a trademark of Ad Hoc Electronics, LLC. Other trademarks herein are the property of their respective owners.