



Chipsmall Limited consists of a professional team with an average of over 10 year of expertise in the distribution of electronic components. Based in Hongkong, we have already established firm and mutual-benefit business relationships with customers from,Europe,America and south Asia,supplying obsolete and hard-to-find components to meet their specific needs.

With the principle of "Quality Parts,Customers Priority,Honest Operation,and Considerate Service",our business mainly focus on the distribution of electronic components. Line cards we deal with include Microchip,ALPS,ROHM,Xilinx,Pulse,ON,Everlight and Freescale. Main products comprise IC,Modules,Potentiometer,IC Socket,Relay,Connector.Our parts cover such applications as commercial,industrial, and automotives areas.

We are looking forward to setting up business relationship with you and hope to provide you with the best service and solution. Let us make a better world for our industry!



Contact us

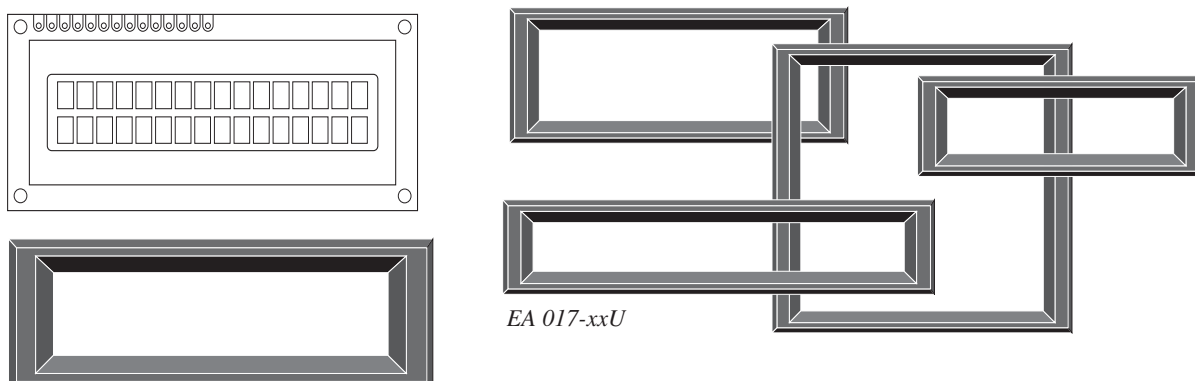
Tel: +86-755-8981 8866 Fax: +86-755-8427 6832

Email & Skype: info@chipsmall.com Web: www.chipsmall.com

Address: A1208, Overseas Decoration Building, #122 Zhenhua RD., Futian, Shenzhen, China



BEZEL FOR DOTMATRIX MODULES



BEZELS EA 017-XXU SERIES

These bezels give your equipment a professional design without extra tooling. The bezels are made of black ABS-material (UL listed) with a scratch-resistant and structured surface. They include a snap-in appliance for easy mounting of different 1 mm windows. They are available with glass or acrylicglass window, both clear or antiglare version. The bezels are glued into the frontpanel of your equipment.

bezel version	ordering information
without window	EA 017-xxU
clear acrylicglass	EA 017-xxUK
antiglare acrylicglass	EA 017-xxUKE
clear glass	EA 017-xxUG
antiglare glass	EA 017-xxUGE

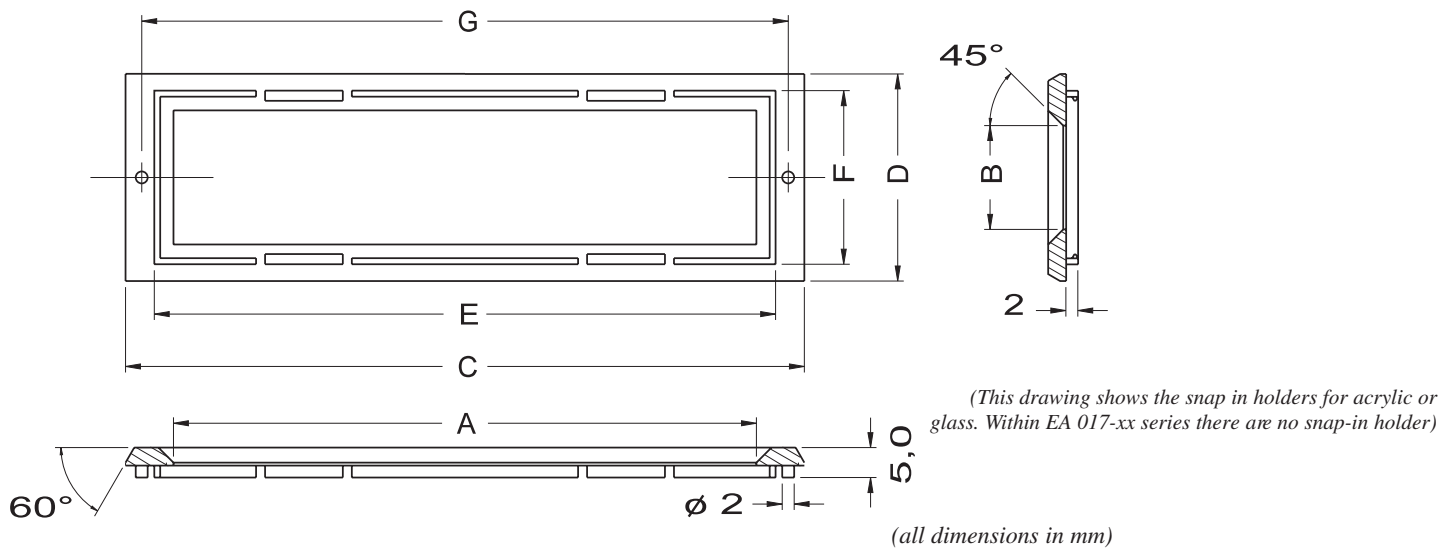
BEZELS EA 017-XX SERIES

These bezels are similar in design (not UL listed), the surface is mat black coated. Acrylicglass windows are available clear or antiglare.

bezel version	ordering information
without window	EA 017-xx
clear acrylicglass	EA 017-xxK
antiglare acrylicglass	EA 017-xxKE

**ELECTRONIC
ASSEMBLY**
making things easy

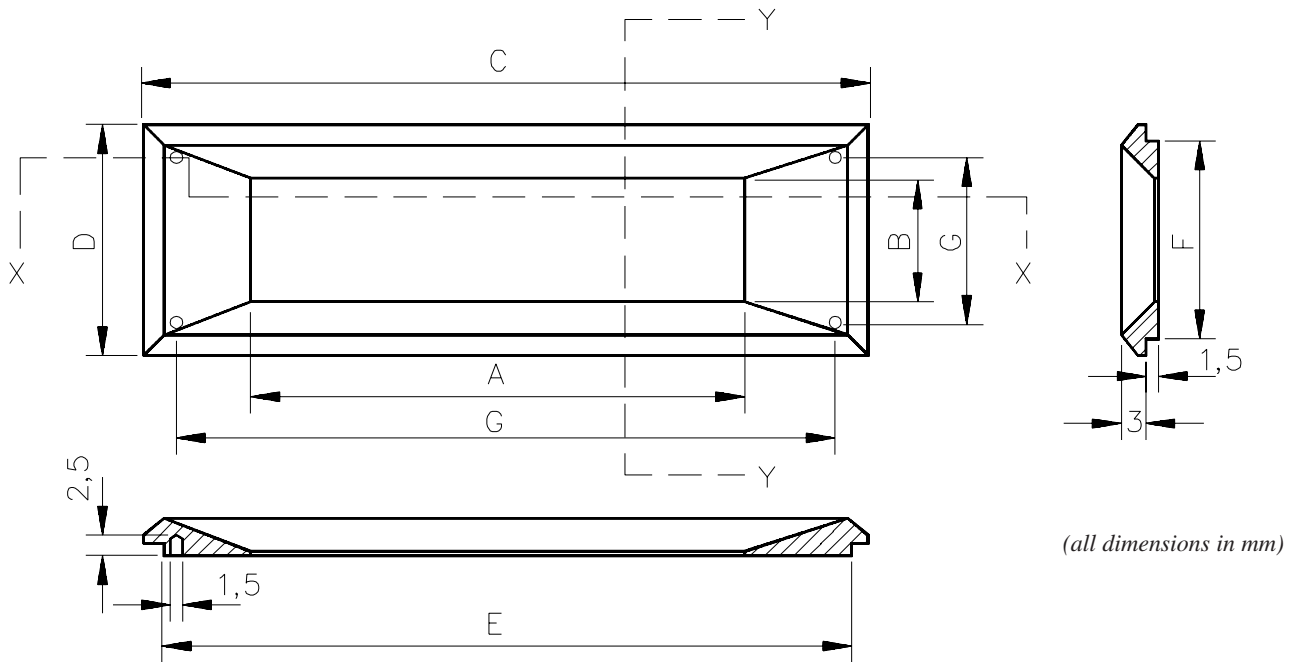
BEZELS FOR DOTMATRIX MODULES EA 017-xxU AND EA 017-xx SERIES



Ordering information	viewing area		bezel size		cutout		studs G	matching lcd-module dotmatrix / graphic
	A	B	C	D	E	F		
EA 017-1U	63,5	12,8	79,5	25,0	69,7	19,2	74,5	EA 7161-A 1x16
EA 017-2U	60,0	14,8	76,0	27,0	66,2	21,2	71,0	EA 7162 2x16
EA 017-3	131,5	13,0	147,5	25,2	137,7	19,4	142,5	(EA 7321) 1x32
EA 017-4U	153,0	14,8	169,0	27,0	159,2	21,2	164,0	EA 7402 2x40
EA 017-5	140,0	15,8	156,0	28,0	146,2	22,2	151,0	EA 7322-B 2x32
EA 017-6U	98,5	12,8	114,5	25,0	104,7	19,2	109,5	EA 7161-E 1x16
EA 017-7U	81,5	17,2	97,5	29,4	87,7	23,6	92,5	EA 7202 2x20
EA 017-8U	60,8	24,2	76,8	36,4	67,0	30,6	71,8	EA 7164 4x16
EA 017-9U	75,0	24,2	91,0	36,4	81,2	30,6	86,0	EA 7204 4x20
EA 017-10U	131,0	38,0	147,0	50,2	137,2	44,4	142,0	EA 7240-6 240x64
EA 017-12U	97,4	22,4	113,4	34,6	103,6	28,8	108,4	EA 7162-B 2x16
EA 017-13U	145,0	28,0	161,0	40,2	151,2	34,4	156,0	EA 7404 4x40
EA 017-14U	92,0	14,8	108,0	27,0	98,4	21,2	103,0	EA 7242 2x24
EA 017-15U	68,0	68,0	84,0	80,2	74,2	74,4	79,0	EA VK-2128 128x128
EA 017-16U	75,0	39,0	91,0	51,2	81,2	45,4	86,0	EA VK-2080 160x80
EA 017-17U	58,0	32,5	74,0	44,7	64,2	38,9	69,0	EA VK-2064 128x64
EA 017-18U	99,5	80,5	115,5	92,7	105,7	86,9	110,5	EA VK-5160 160x128
EA 017-23	121,0	12,0	137,0	24,2	127,2	18,4	132,0	EA 8201-B 1x20
EA 017-25	121,0	41,5	137,0	53,7	127,2	47,9	132,0	EA 8204-B 4x20
EA 017-27	145,0	33,8	161,0	46,0	151,2	40,2	156,0	EA 8202-C 2x20
EA 017-28	145,0	63,9	161,0	76,1	151,2	70,3	156,0	EA 8204-C 4x20

The panel cutout should be 0.2 to 0.5 mm larger than dimension EF. The bezel is centered to the cutout by 2 studs with 2mm diameter.

BEZELS FOR DOTMATRIX MODULES EA 07 SERIES

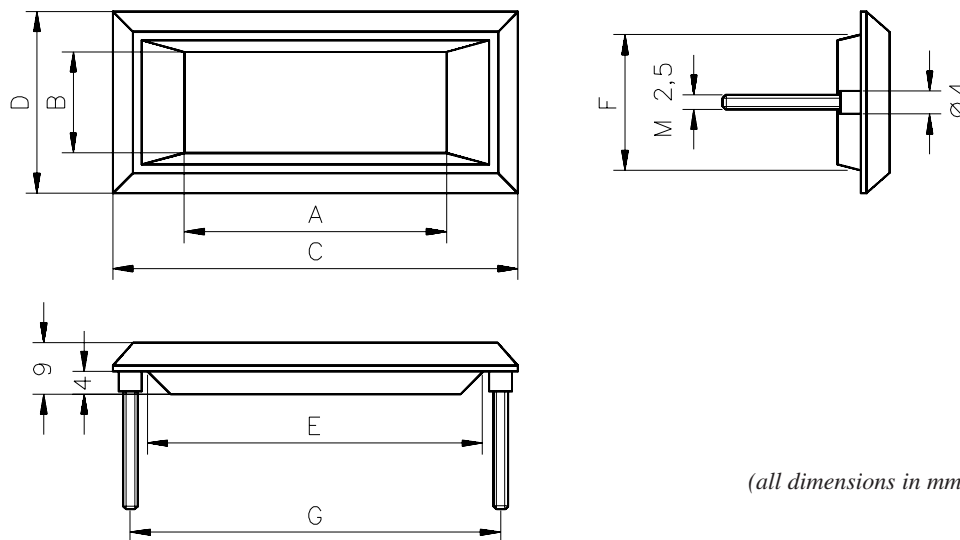


Ordering information	viewing area		bezel size		cutout		mounting G	matching module
	A	B	C	D	E	F		
EA 07-B	97,0	12,0	122,0	25,0	118,0	21,0	114 x 17	EA 7161-E/-F
EA 07-C	60,0	15,0	88,0	28,0	84,0	24,0	80 x 20	EA 7162 a.o.
EA 07-D	82,0	17,0	107,0	30,0	103,0	26,0	99 x 20	EA 7202 a.o.
EA 07-E	151,0	15,0	176,0	28,0	174,0	24,0	169 x 20	EA 7402 a.o.

The bezels from the EA 07 series are always delivered without acrylicglass window.

BEZELS FOR FRONTPANEL DESIGN AND MOUNTING

STANDARD BEZELS WITH SCREWPINS M2,5 FOR LCD-MODULES FROM SERIES EA 11xx, EA 21xx, EA 31xx, 41xx AND EA 61xx

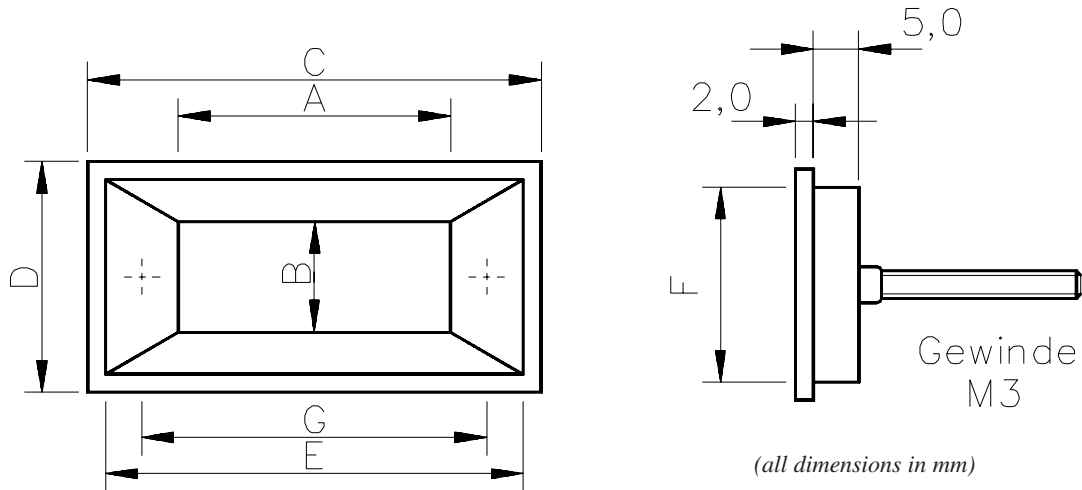


Ordering information	viewing area		bezel size		cutout		mounting	matching module
	A	B	C	D	E	F	G	
EA 03	45,6	17,7	70,0	32,0	54,5	22,0	61 / M2,5	13mm 4digit
EA 08-N	62,2	22,6	87,0	36,6	72,7	28,2	80,3/ M2,5	18mm 4digit
EA 09	86,2	17,7	113,0	32,0	96,0	22,0	104 / M2,5	13mm 8digit
EA 050-N	160,0	56,0	189,0	73,0	173,2	62,3	180,3 x 61	50mm 4digit

The bezels have two (EA 050-N: four) screwpins M2,5 for mounting the LCD-module on the frontpanel. The delivery includes the matching nuts.

At 5 pcs off we can deliver these bezels (excl. EA 050-N) with pasted acrylicglass (thickness 1mm).

FRONTPANEL AND MOUNTING BEZELS FOR LED-MODULES WITH 12, 19, 25mm DIGIT HEIGHT

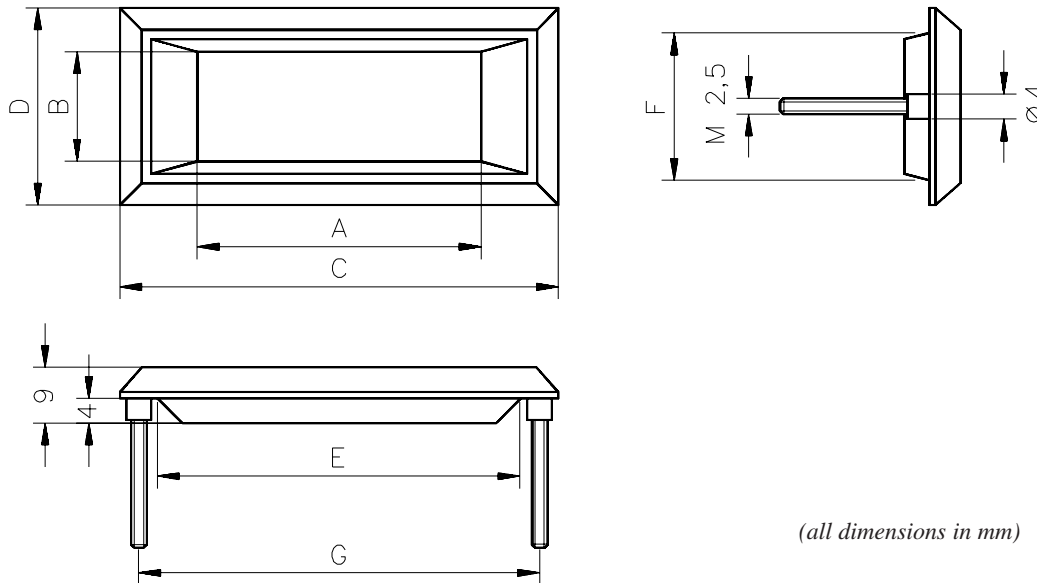


(all dimensions in mm)

Ordering information	viewing area		bezel size		cutout		mounting G	matching module
	A	B	C	D	E	F		
EA 074-R	42,7	12,2	63,0	25,5	59,0	21,5	48,5/ M3	4 Digit (LED)
EA 079-R	106,0	12,2	125,5	25,5	121,5	21,5	114,5/ M3	9 Digit (LED)
EA 083-R	43,0	25,0	62,5	38,0	58,5	34,0	50 / M3	3 Digit (LED)
EA 087-K/-R	93,0	25,0	114,0	38,0	110,0	34,0	101	8 Digit (LED)
EA 093-R	38,0	19,5	59,0	32,0	55,0	28,0	45 / M3	3 Digit (LED)
EA 094-R	50,0	19,5	70,5	32,0	66,5	28,0	58 / M3	4 Digit (LED)
EA 096-R	77,0	19,5	97,0	32,0	93,0	28,0	84 / M3	6 Digit (LED)

These bezels are usually delivered with a red acrylicglass window. Alternatively you can order a clear acrylicglass window. The ordering information is now e.g: **EA 096-K** insted of **EA 096-R**.

FRONTPANEL AND MOUNTING BEZELS FOR SPECIAL MODULES



(all dimensions in mm)

Ordering information	viewing area		bezel size		cutout		mounting	matching module
EA 033-K	45,7	18,2	72,0	36,0	68,0	33,0	62 x 27	EA 4060-DP
EA 033-R	45,7	18,2	72,0	36,0	68,0	33,0	62 x 27	EA 4040-DP
EA 044	32,5	13,0	48,0	24,0	45,0	22,5	snap-in	EA 4044
EA 055	42,5	17,5	60,0	30,0	57,0	27,0	snap-in	EA 4055/-S
EA 055-31	42,5	17,5	60,0	30,0	57,0	27,0	snap-in	EA 1031-N,EA 4050

The snap-in bezel is delivered in two parts: the bezel and the window. The bezel is pressed from the frontside into the frontpanel and the corresponding module is snapped in from the rearside of the frontpanel. Finally the window is pasted up to the bezel.