



Chipsmall Limited consists of a professional team with an average of over 10 year of expertise in the distribution of electronic components. Based in Hongkong, we have already established firm and mutual-benefit business relationships with customers from,Europe,America and south Asia,supplying obsolete and hard-to-find components to meet their specific needs.

With the principle of “Quality Parts,Customers Priority,Honest Operation,and Considerate Service”,our business mainly focus on the distribution of electronic components. Line cards we deal with include Microchip,ALPS,ROHM,Xilinx,Pulse,ON,Everlight and Freescale. Main products comprise IC,Modules,Potentiometer,IC Socket,Relay,Connector.Our parts cover such applications as commercial,industrial, and automotives areas.

We are looking forward to setting up business relationship with you and hope to provide you with the best service and solution. Let us make a better world for our industry!



Contact us

Tel: +86-755-8981 8866 Fax: +86-755-8427 6832

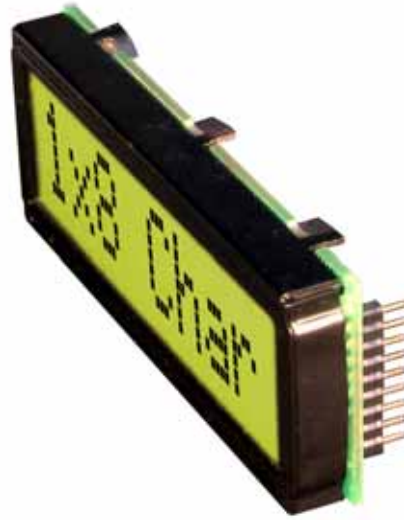
Email & Skype: info@chipsmall.com Web: www.chipsmall.com

Address: A1208, Overseas Decoration Building, #122 Zhenhua RD., Futian, Shenzhen, China



INCL. CONTROLLER HD 44780

no more mounting
required



*Dimension 68 x 27 mm
11mm flat even with LED B/L*

FEATURES

- * HIGH CONTRAST LCD SUPERTWIST DISPLAY GRAY OR YELLOW/GREEN
- * COMPATIBLE TO HD 44780 STANDARD
- * INTERFACE FOR 4- AND 8-BIT DATA BUS
- * POWER SUPPLY +2.7~5.5V (BACKLIGHT 4.1V)
- * OPERATING TEMPERATURE RANGE 0~+50°C OR -20~+70°C
- * BUILT-IN TEMP. COMP. WITH EA DIP081-CHNLED
- * LED BACKLIGHT Y/G typ. 150mA@4.1V, max. 200mA
- * SOME MORE MODULES WITH SAME MECHANIC AND SAME PINOUT:
 - DOTMATRIX 2x16, 4x20
 - GRAPHIC 122x32
- * NO SCREWS REQUIRED: SOLDER ON IN PCB ONLY
- * DETACHABLE VIA 9-PIN SOCKET EA B200-9 (2 PCS. REQUIRED)

ORDERING INFORMATION

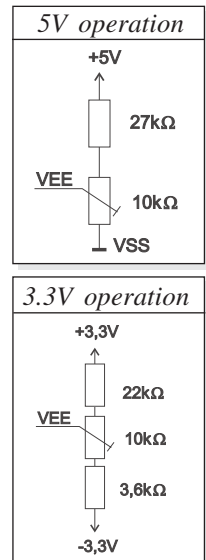
LCD MODULE 1x8 - 11.48mm WITH BACKLIGHT Y/G
 SAME BUT WITH T_{OP.} -20~+70°C, INCL. TEMP.COMP.
 9-PIN SOCKET, HEIGHT 4.3mm (1 PC.)
 SUITABLE BEZEL (WINDOW 60.0x14.8 mm)
 ADAPTOR PCB WITH STANDARD PINOUT PITCH 2.54mm

EA DIP081-CNLED
EA DIP081-CHNLED
EA B200-9
EA 017-2UKE
EA 9907-DIP

**ELECTRONIC
 ASSEMBLY**
 making things easy

PINOUT

Pin	Symbol	Level	Function	Pin	Symbol	Level	Function
1	VSS	L	Power Supply 0V (GND)	10	D3	H/L	Display Data
2	VDD	H	Power Supply +5V	11	D4 (D0)	H/L	Display Data
3	VEE	-	Contrast adjust. (about 0V)	12	D5 (D1)	H/L	Display Data
4	RS	H/L	H=Command, L=Data	13	D6 (D2)	H/L	Display Data
5	RW	H/L	H=Read, L=Write	14	D7 (D3)	H/L	Display Data, MSB
6	E	H	Enable (falling edge)	15	-	-	NC (see EA DIP122-5N)
7	D0	H/L	Display Data, LSB	16	-	-	NC (see EA DIP122-5N)
8	D1	H/L	Display Data	17	A	-	LED B/L+ Resistor required
9	D2	H/L	Display Data	18	C	-	LED B/L -



CONTRAST ADJUSTMENT

Both displays EA DIP081-CNLED and -CHNLED do have an driving voltage for contrast of typ. 4,9V. For 3.3V operation additional -3.3V is required.

Version EA DIP081-CHNLED for ext. temperature range -20..+70°C does have a built-in temperature compensation; so there's no need for contrast adjustment while operation.

BACKLIGHT

Backlight do need an external resistor limiting the current limiter. Calculation is: $R=U/I$, so at 5V supply:

$$R_{\text{gelb/grün}} = (5,0V - 4,1V) / 0,15A = 6 \text{ Ohm}$$

Caution: do never drive backlight direct with 5V; damage may come suddenly.

CHARACTER SET

Character set shown below is already built in. In addition to that you are able to define up to 8 characters by yourself.

Lower 4 bit	Upper 4 bit	0000 (\$0x)	0010 (\$2x)	0011 (\$3x)	0100 (\$4x)	0101 (\$5x)	0110 (\$6x)	0111 (\$7x)	1010 (\$Ax)	1011 (\$Bx)	1100 (\$Cx)	1101 (\$Dx)	1110 (\$Ex)	1111 (\$Fx)
xxxx0000 (\$x0)	CG RAM (0)		0	1	2	3	4	5	6	7	8	9	A	B
xxxx0001 (\$x1)	(1)	!	1	A	Q	a	q		0	7	7	4	ä	q
xxxx0010 (\$x2)	(2)	"	2	B	R	b	r		r	ı	ı	ı	ı	ı
xxxx0011 (\$x3)	(3)	#	3	C	S	c	s		ı	ı	ı	ı	ı	ı
xxxx0100 (\$x4)	(4)	\$	4	D	T	d	t		ı	ı	ı	ı	ı	ı
xxxx0101 (\$x5)	(5)	%	5	E	U	e	u		ı	ı	ı	ı	ı	ı
xxxx0110 (\$x6)	(6)	&	6	F	V	f	v		ı	ı	ı	ı	ı	ı
xxxx0111 (\$x7)	(7)	'	7	G	W	g	w		ı	ı	ı	ı	ı	ı
xxxx1000 (\$x8)	CG RAM (0)		8	H	X	h	x		ı	ı	ı	ı	ı	ı
xxxx1001 (\$x9)	(1))	9	I	Y	i	y		ı	ı	ı	ı	ı	ı
xxxx1010 (\$xA)	(2)	*	ı	J	Z	j	z		ı	ı	ı	ı	ı	ı
xxxx1011 (\$xB)	(3)	+	ı	K	[k	[ı	ı	ı	ı	ı	ı
xxxx1100 (\$xC)	(4)	,	<	L	¥	ı	ı		ı	ı	ı	ı	ı	ı
xxxx1101 (\$xD)	(5)	-	=	M] m	>			ı	ı	ı	ı	ı	ı
xxxx1110 (\$xE)	(6)	.	>	N	^ n	→			ı	ı	ı	ı	ı	ı
xxxx1111 (\$xF)	(7)	/	?	O	_ o	←			ı	ı	ı	ı	ı	ı

TABLE OF COMMAND

Instruction	Code										Description	Execute Time (max.)	
	RS	R/W	DB 7	DB 6	DB 5	DB 4	DB 3	DB 2	DB 1	DB 0			
Clear Display	0	0	0	0	0	0	0	0	0	1	Clears all display and returns the cursor to the home position (Address 0).	1.64ms	
Cursor At Home	0	0	0	0	0	0	0	0	1	*	Returns the Cursor to the home position (Address 0). Also returns the display being shifted to the original position. DD RAM contents remain unchanged.	1.64ms	
Entry Mode Set	0	0	0	0	0	0	0	1	I/D	S	Sets the Cursor move direction and specifies or not to shift the display. These operation are performed during data write and read.	40µs	
Display On/Off Control	0	0	0	0	0	0	1	D	C	B	Sets ON/OFF of all display (D) cursor ON/OFF (C), and blink of cursor position character (B).	40µs	
Cursor / Display Shift	0	0	0	0	0	1	S/C	R/L	*	*	Moves the Cursor and shifts the display without changing DD RAM contents.	40µs	
Function Set	0	0	0	0	1	DL	N	F	*	*	Sets interface data length (DL) number of display lines (L) and character font (F).	40µs	
CG RAM Address Set	0	0	0	1	ACG							Sets the CG RAM address. CG RAM data is sent and received after this setting.	40µs
DD RAM Address Set	0	0	1	ADD							Sets the DD RAM address. DD RAM data is sent and received after this setting.	40µs	
Busy Flag / Address Read	0	1	BF		AC							Reads Busy flag (BF) indicating internal operation is being performed and reads address counter contents.	-
CG RAM / DD RAM Data write	1	0	Write Data									Writes data into DD RAM or CG RAM	40µs
CG RAM / DD RAM Data Read	1	1	Read Data									Reads data from DD RAM or CG RAM	40µs

INITIALISATION FOR A 1 LINE DISPLAY / 8-BIT MODE

Command	RS	R/W	DB7	DB6	DB5	DB4	DB3	DB2	DB1	DB0	Remark
Function Set	0	0	0	0	1	1	0	0	0	0	8 bit data length, 1 line display, 5x7 font
Display ON/OFF	0	0	0	0	0	0	1	1	1	1	display on, cursor on, cursor blink
Clear Display	0	0	0	0	0	0	0	0	0	1	clear display, cursor 1st. row, 1st. column
Entry Mode Set	0	0	0	0	0	0	0	1	1	0	cursor increments automatically

CREATING YOUR OWN CHARACTERS

All these character display modules got the feature to create 8 own characters (ASCII Codes 0..7) in addition to the 192 ROM fixed codes.

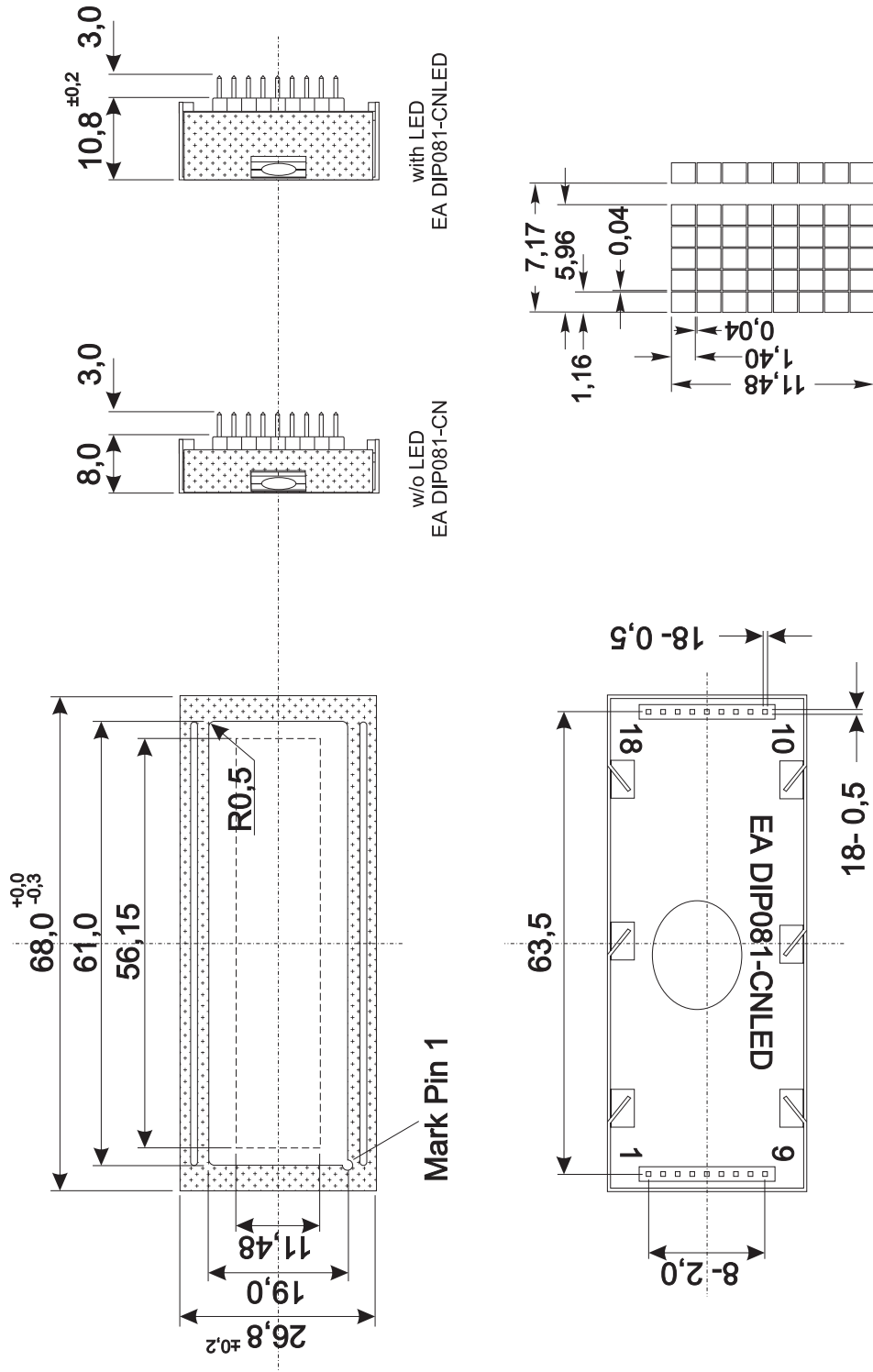
- 1.) The command "CG RAM Address Set" defines the ASCII code (Bit 3,4,5) and the dot line (Bit 0,1,2) of the new character. Example demonstrates creating ASCII code \$00.
- 2.) Doing 8 times the write command "Data Write" defines line by line the new character. 8th. byte stands for the cursor line.
- 3.) The new defined character can be used as a "normal" ASCII code (0..7); use with "DD RAM Address Set" and "Data Write".

Set CG RAM Address				Data									
Adresse		Hex											
0	1	0	0		0 0 0	\$40	X X X	Data					
				Bit									
				7	6	5		4	3	2	1	0	Hex
				0	0	1		0	0	0	0	\$04	
				0	0	1		0	0	0	0	\$04	
				0	0	1		0	0	0	0	\$04	
				0	0	1		0	0	0	0	\$04	
				1	0	0		1	0	1	0	\$15	
1	0	1	1	1	1	0	\$0E						
0	0	1	0	0	0	0	\$04						
0	0	0	0	0	0	0	\$00						

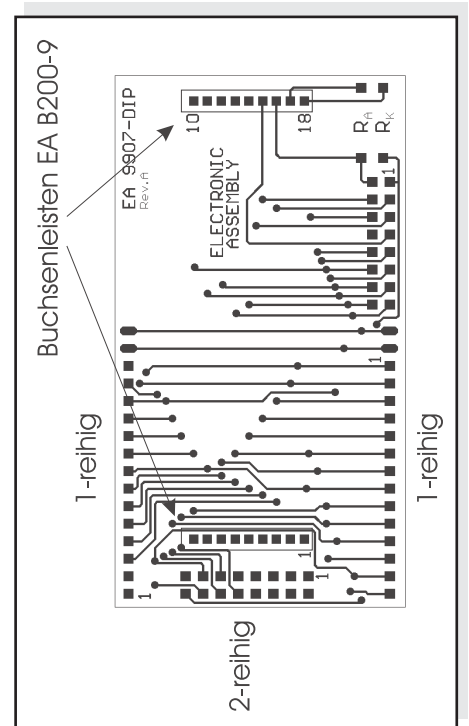
EA DIP081-CNLED

ELECTRONIC ASSEMBLY reserves the right to change specifications without prior notice. Printing and typographical errors reserved.

DIMENSIONS



all dimensions are in mm



*Adaptor pcb
EA 9907-DIP*

ELECTRONIC ASSEMBLY
making things easy