



Chipsmall Limited consists of a professional team with an average of over 10 year of expertise in the distribution of electronic components. Based in Hongkong, we have already established firm and mutual-benefit business relationships with customers from,Europe,America and south Asia,supplying obsolete and hard-to-find components to meet their specific needs.

With the principle of “Quality Parts,Customers Priority,Honest Operation,and Considerate Service”,our business mainly focus on the distribution of electronic components. Line cards we deal with include Microchip,ALPS,ROHM,Xilinx,Pulse,ON,Everlight and Freescale. Main products comprise IC,Modules,Potentiometer,IC Socket,Relay,Connector.Our parts cover such applications as commercial,industrial, and automotives areas.

We are looking forward to setting up business relationship with you and hope to provide you with the best service and solution. Let us make a better world for our industry!



Contact us

Tel: +86-755-8981 8866 Fax: +86-755-8427 6832

Email & Skype: info@chipsmall.com Web: www.chipsmall.com

Address: A1208, Overseas Decoration Building, #122 Zhenhua RD., Futian, Shenzhen, China



SPECIFICATION

CUSTOMER : _____

MODULE NO.: EA TFT035-32ANN

| | |
|---|--|
| <p style="text-align: center;">APPROVED BY:</p> <p>(FOR CUSTOMER USE ONLY)</p> | <p>PCB VERSION: _____</p> <p>DATA: _____</p> |
|---|--|

| SALES BY | APPROVED BY | CHECKED BY | PREPARED BY |
|--------------------------------|-------------|------------|-------------|
| | | | |
| ISSUED DATE: 2018/06/18 | | | |

Contents

1. Summary
2. General Specification
3. Absolute Maximum Ratings
4. Electrical Characteristics
5. DC Characteristics
6. AC Characteristics
7. Optical Characteristics
8. Interface
9. Block Diagram
10. Reliability
11. Contour Drawing

1. Summary

This technical specification applies to 3.5" color TFT-LCD panel. The 3.5" color TFT-LCD panel is designed for camcorder, digital camera application and other electronic products which require high quality flat panel displays. This module follows RoHS.

1.1. Accessories

ZIF connector for display, bottom contact
ZIF connector for display, top contact
ZIF connector for touch panel, top contact

EA WF050-40S
EA WF050-40ST
EA WF050-10T

2. General Specifications

| Item | Dimension | Unit |
|--------------------------------|-----------------------------------|------|
| Size | 3.5 | inch |
| Dot Matrix | 320 x RGBx240(TFT) | dots |
| Module dimension | 76.9x 63.9x 3.26 | mm |
| Active area | 70.08 x 52.56 | mm |
| Dot pitch | 0.073 x 0.219 | mm |
| LCD type | TFT, Normally White, Transmissive | |
| View Direction | 12o'clock | |
| Gray Scale Inversion Direction | 6 o'clock | |
| Backlight Type | LED ,Normally White | |
| With /Without TP | Without TP | |
| Surface | Anti-Glare | |

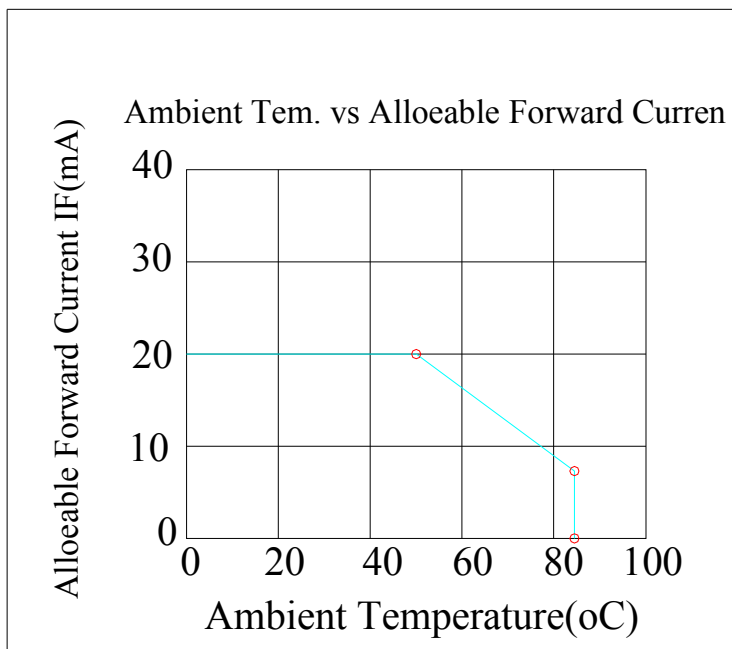
*Color tone slight changed by temperature and driving voltage.

3. Absolute Maximum Ratings

| Item | Symbol | Min | Typ | Max | Unit |
|-----------------------|--------|-----|-----|-----|------|
| Operating Temperature | TOP | -20 | — | +70 | °C |
| Storage Temperature | TST | -30 | — | +80 | °C |

Note: Device is subject to be damaged permanently if stresses beyond those absolute maximum ratings listed above

1. Temp. $\leq 60^{\circ}\text{C}$, 90% RH MAX. Temp. $> 60^{\circ}\text{C}$, Absolute humidity shall be less than 90% RH at 60°C



4. Electrical Characteristics

4.1. Operating conditions:

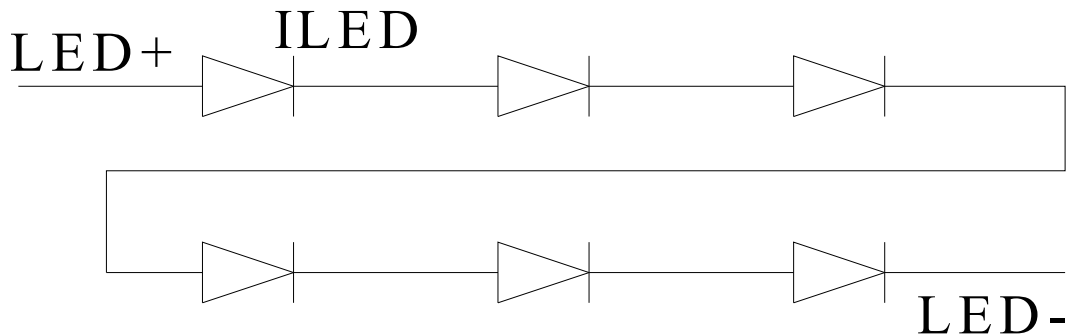
| Item | Symbol | Condition | Min | Typ | Max | Unit | Remark |
|------------------------|--------|-----------|-----|-----|-----|------|--------|
| Supply Voltage For LCM | VCC | — | 3.0 | 3.3 | 3.6 | V | |
| Supply Current For LCM | ICC | — | — | 12 | 18 | mA | Note 1 |

Note 1 : This value is test for VCC =3.3V , Ta=25 °C only

4.2. LED driving conditions

| Parameter | Symbol | Min. | Typ. | Max. | Unit | Remark |
|-------------------|--------|------|--------|------|------|------------|
| LED current | | - | 20 | - | mA | |
| Power Consumption | | 348 | 384 | 408 | mW | |
| LED voltage | LED+ | 17.4 | 19.2 | 20.4 | V | Note 1 |
| LED Life Time | | - | 50,000 | - | Hr | Note 2,3,4 |

Note 1 : There are 1 Groups LED



Note 2 : Ta = 25 °C

Note 3 : Brightness to be decreased to 50% of the initial value

Note 4 : The single LED lamp case

5.DC CHARATERISTICS

| Parameter | Symbol | Rating | | | Unit | Condition |
|--------------------------|----------|--------|-----|--------|------|-----------|
| | | Min | Typ | Max | | |
| Low level input voltage | V_{IL} | 0 | - | 0.3VCC | V | |
| High level input voltage | V_{IH} | 0.7VCC | - | VCC | V | |

6.AC Characteristics

Digital Parallel RGB interface

| Signal | Item | Symbol | Min | Typ | Max | Unit |
|--------|----------------|--------|-----|-----|-----|------|
| Dclk | Frequency | Tosc | - | 6.5 | 10 | MHz |
| | High Time | Tch | - | 77 | - | ns |
| | Low Time | Tcl | - | 77 | - | ns |
| Data | Setup Time | Tsu | 12 | - | - | ns |
| | Hold Time | Thd | 12 | - | - | ns |
| Hsync | Period | TH | - | 408 | | Tosc |
| | Pulse Width | THS | 5 | 30 | - | Tosc |
| | Back-Porch | Thb | - | 38 | - | Tosc |
| | Display Period | TEP | - | 320 | - | Tosc |
| | Hsync-den time | THE | 36 | 68 | 88 | - |
| | Front-Porch | Thf | - | 20 | - | Tosc |
| Vsync | Period | Tv | - | 262 | - | TH |
| | Pulse Width | Tvs | 1 | 3 | 5 | TH |
| | Back-Porch | Tvb | - | 15 | - | TH |
| | Display Period | Tvd | - | 240 | - | TH |
| | Front-Porch | Tvf | 2 | 4 | - | TH |

Note:

1. $T_{hp} + T_{hb} = 68$, the user is make up by yourself.
2. $T_v = T_{vs} + T_{vb} + T_{vd} + T_{vf}$, the user is make up by yourself.
3. When SYNC mode is used, 1st data start from 68th Dclk after Hsync falling

6.1. Waveform

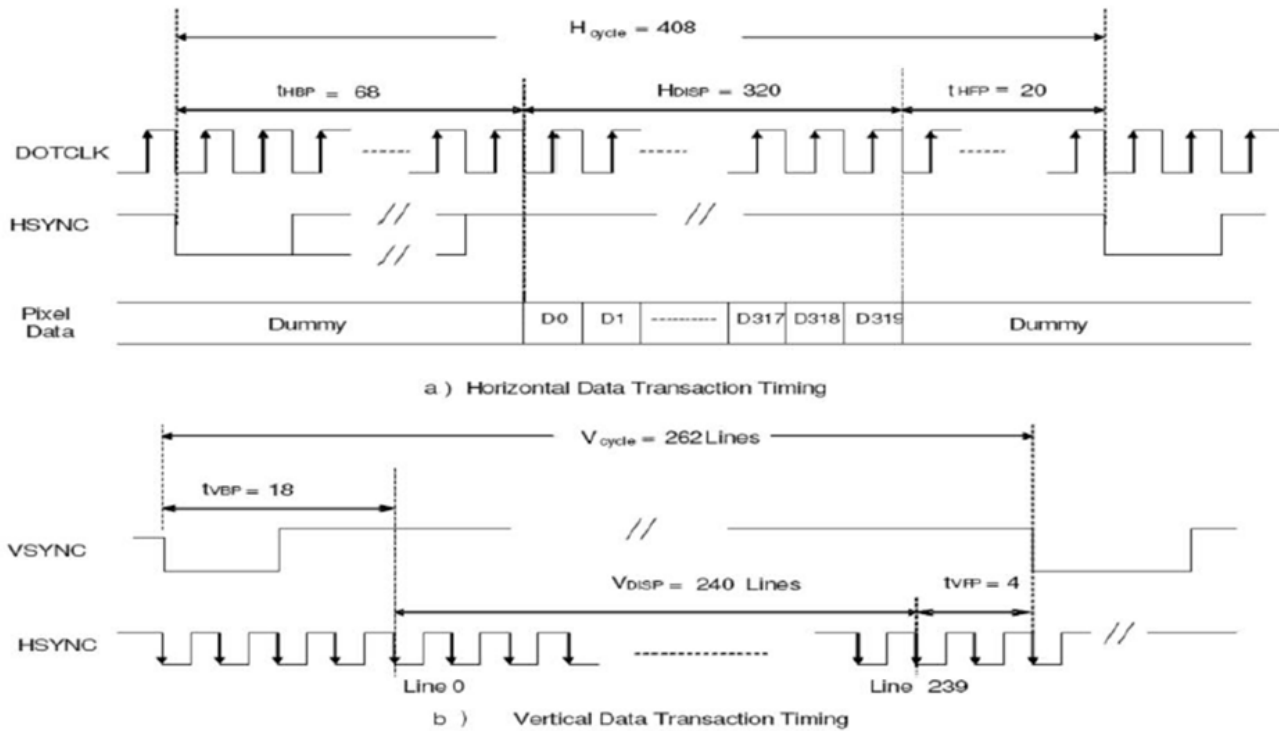


Figure 7.1.1 Data Transaction Timing in Parallel RGB (24 bit) Interface (SYNC Mode)

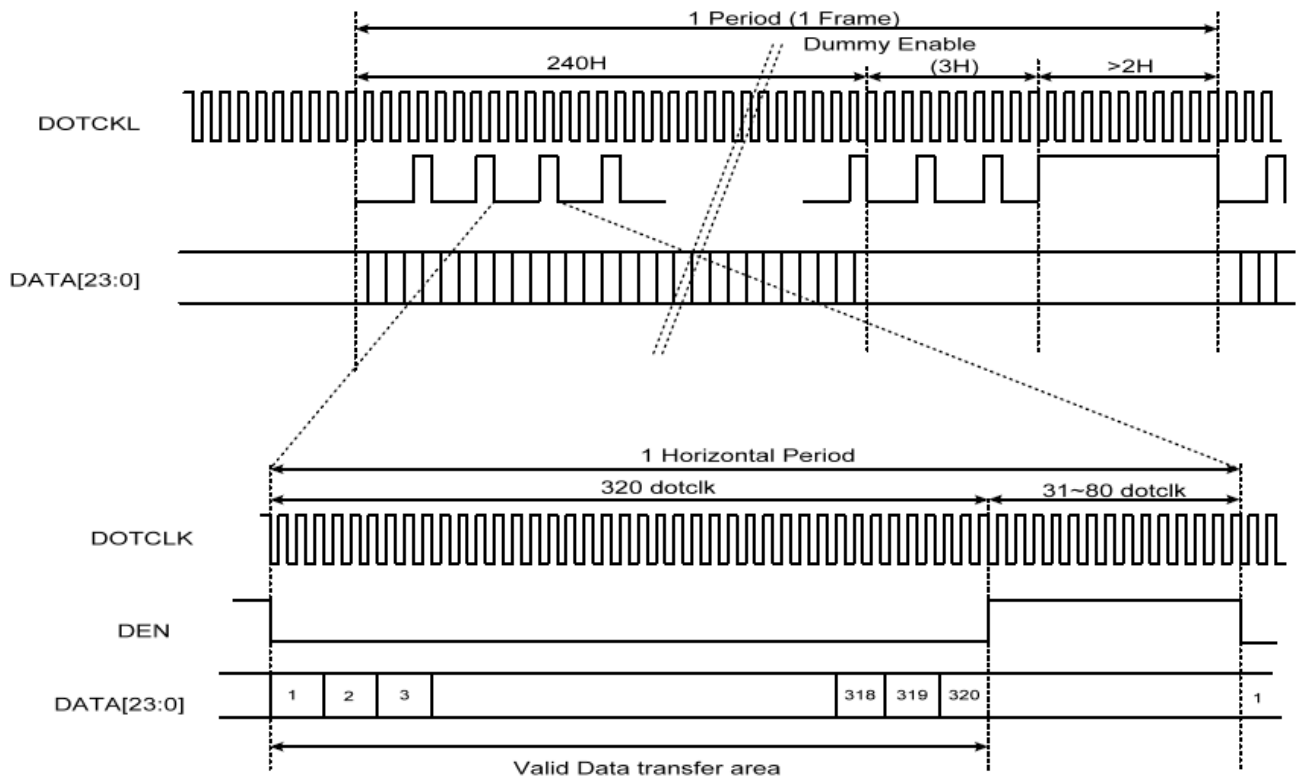


Figure 6.1.2 Data Transaction Timing in Parallel RGB (24 bit) Interface (DE Mode)

6.2. Clock and Sync waveforms

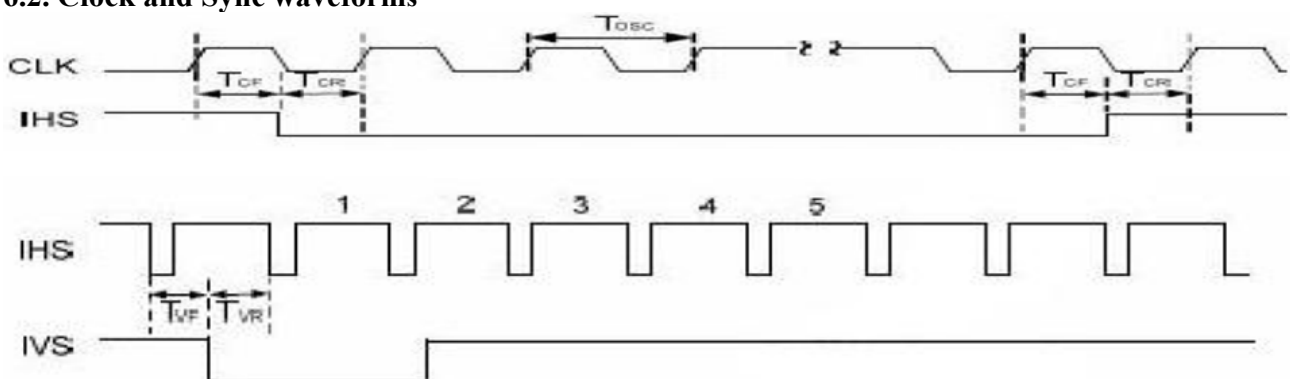


Figure 6.2.1 IHS and IVS timing waveforms

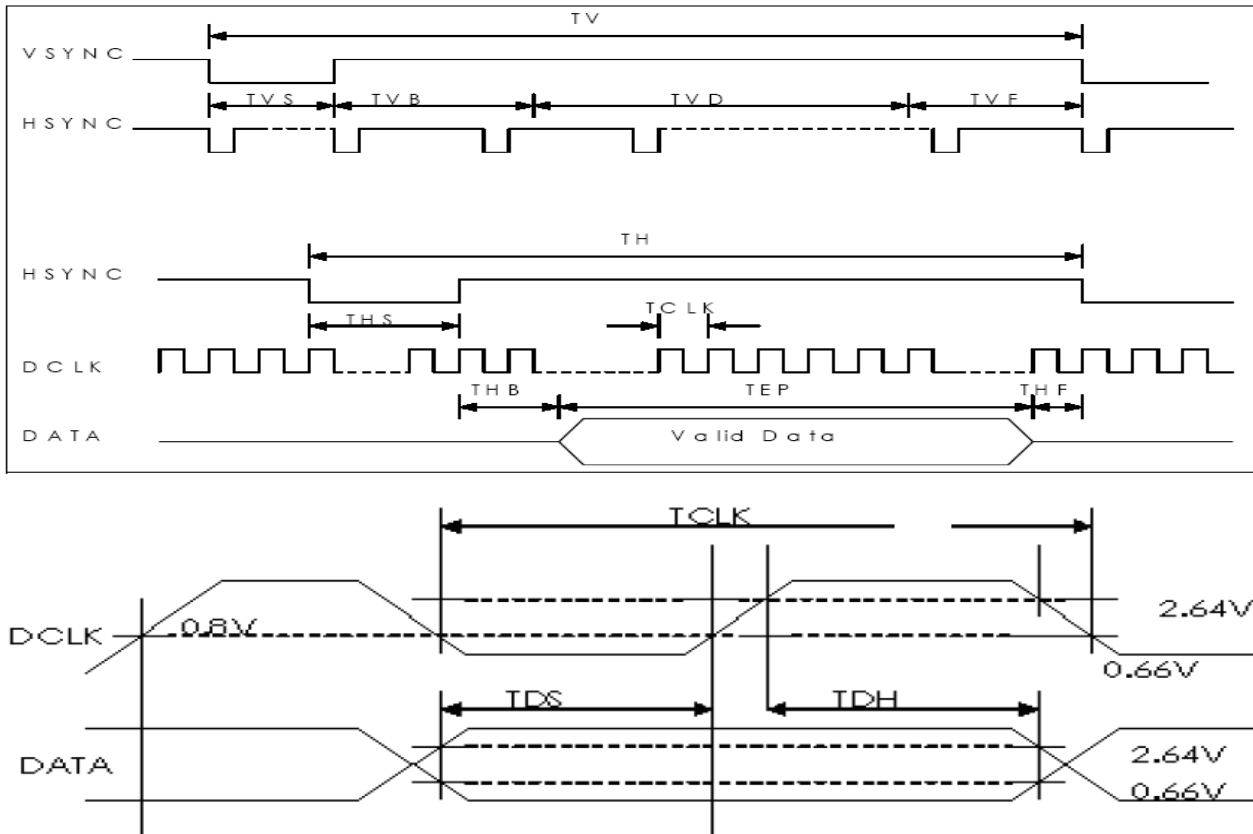
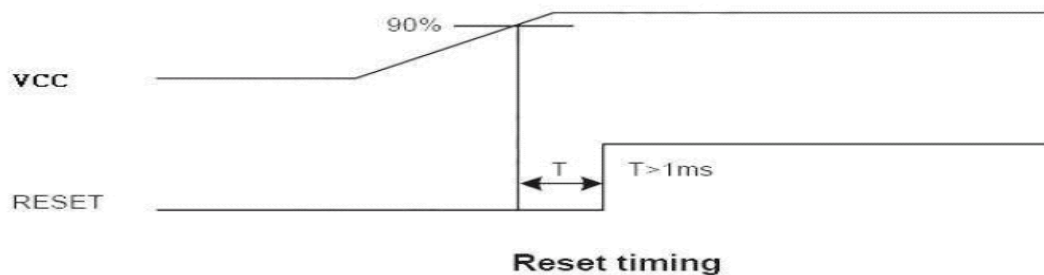


Figure 6.2.2 TV and TH timing waveforms

6.3. Reset Timing Chart

The RESET input must be held at least 1ms after power is stable



7. Optical Characteristics

| Item | Symbol | Condition. | Min | Typ. | Max. | Unit | Remark | |
|---|--------|---|------------|------|------|-------------------|-------------------|--------|
| Response time | Tr | $\theta = 0^\circ \cdot \Phi = 0^\circ$ | - | 10 | - | ms | Note 3,5 | |
| | Tf | | - | 15 | - | ms | | |
| Contrast ratio | CR | At optimized viewing angle | 300 | 350 | - | - | Note 4,5 | |
| Color Chromaticity | White | $\theta = 0^\circ \cdot \Phi = 0^\circ$ | 0.26 | 0.31 | 0.36 | - | Note 2,6,7 | |
| | | | 0.28 | 0.33 | 0.38 | - | - | |
| Viewing angle (Gray Scale Inversion Direction) | Hor. | CR ≥ 10 | Θ_R | - | 55 | - | Deg. | Note 1 |
| | | | Θ_L | - | 55 | - | | |
| | Ver. | | Φ_T | - | 45 | - | | |
| | | | Φ_B | - | 50 | - | | |
| Brightness | - | - | 350 | 420 | - | cd/m ² | Center of display | |

Ta=25±2°C, IL=20mA

Note 1: Definition of viewing angle range

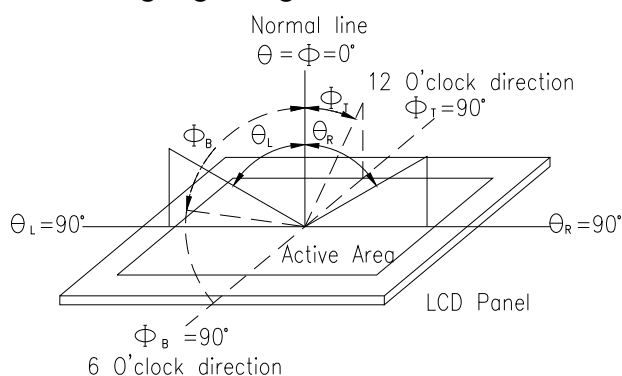


Fig. 8.1. Definition of viewing angle

Note 2: Test equipment setup:

After stabilizing and leaving the panel alone at a driven temperature for 10 minutes, the measurement should be executed. Measurement should be executed in a stable, windless, and dark room. Optical specifications are measured by Topcon BM-7 or BM-5 luminance meter 1.0° field of view at a distance of 50cm and normal direction.

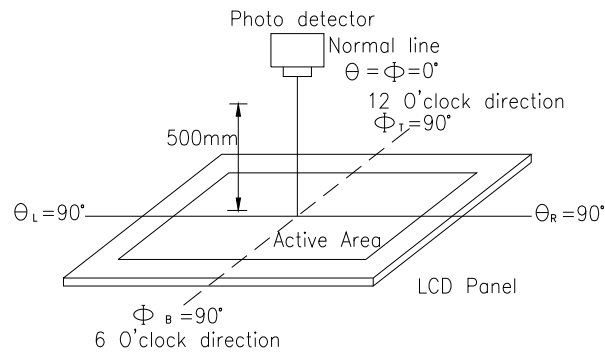
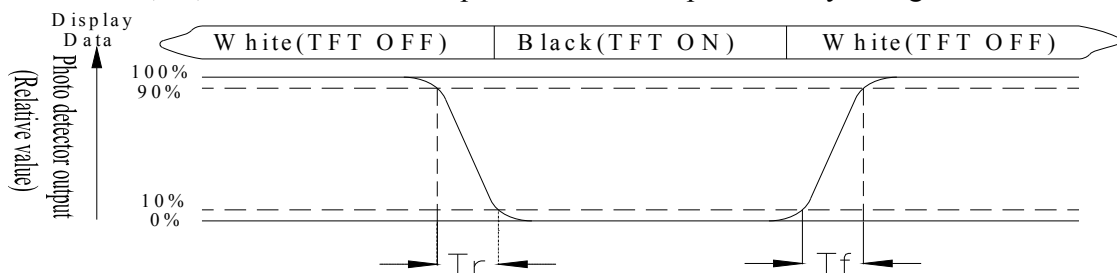


Fig. 8.2. Optical measurement system setup

Note 3: Definition of Response time:

The response time is defined as the LCD optical switching time interval between “White” state and “Black” state. Rise time, T_r , is the time between photo detector output intensity changed from 90% to 10%. And fall time, T_f , is the time between photo detector output intensity changed from 10% to 90%



Note 4: Definition of contrast ratio:

The contrast ratio is defined as the following expression.

$$\text{Contrast ratio (CR)} = \frac{\text{Luminance measured when LCD on the "White" state}}{\text{Luminance measured when LCD on the "Black" state}}$$

Note 5: White $V_i = V_{i50} \pm 1.5V$

Black $V_i = V_{i50} \pm 2.0V$

“±” means that the analog input signal swings in phase with VCOM signal.

“±” means that the analog input signal swings out of phase with VCOM signal.

The 100% transmission is defined as the transmission of LCD panel when all the input terminals of module are electrically opened.

Note 6: Definition of color chromaticity (CIE 1931)

Color coordinates measured at the center point of LCD

Note 7: Measured at the center area of the panel when all the input terminals of LCD panel are electrically opened.

8.Interface

8.1. LCM PIN Definition

| Pin | Symbol | Function | Remark |
|-----|--------|---|--------------|
| 1 | VLED- | Power for LED backlight cathode | |
| 2 | VLED+ | Power for LED backlight anode | |
| 3 | DGND | System ground pin of the IC. Connect to system ground. | |
| 4 | VCC | Power Supply | |
| 5 | R0 | Red Data bit(LSB) | |
| 6 | R1 | Red Data bit | |
| 7 | R2 | Red Data bit | |
| 8 | R3 | Red Data bit | |
| 9 | R4 | Red Data bit | |
| 10 | R5 | Red Data bit | |
| 11 | R6 | Red Data bit | |
| 12 | R7 | Red Data bit (MSB) | |
| 13 | G0 | Green Data bit(LSB) | |
| 14 | G1 | Green Data bit | |
| 15 | G2 | Green Data bit | |
| 16 | G3 | Green Data bit | |
| 17 | G4 | Green Data bit | |
| 18 | G5 | Green Data bit | |
| 19 | G6 | Green Data bit | |
| 20 | G7 | Green Data bit (MSB) | |
| 21 | B0 | Blue Data bit(LSB) | |
| 22 | B1 | Blue Data bit | |
| 23 | B2 | Blue Data bit | |
| 24 | B3 | Blue Data bit | |
| 25 | B4 | Blue Data bit | |
| 26 | B5 | Blue Data bit | |
| 27 | B6 | Blue Data bit | |
| 28 | B7 | Blue Data bit (MSB) | |
| 29 | AVSS | Grounding for analog circuit Connect to system ground | |
| 30 | CLK | Dot-clock signal and oscillator source | |
| 31 | NC | No connect | |
| 32 | HSYNC | Horizontal sync signal | Note1 |
| 33 | VSYNC | Vertical sync signal | Note1 |
| 34 | DE | Data Enable signal | Note1 |
| 35 | NC | No connect | |
| 36 | RESET | Hardware reset | |
| 37 | NC | No connect | |
| 38 | NC | No connect | |
| 39 | NC | No connect | |
| 40 | NC | No connect | |

Note1:

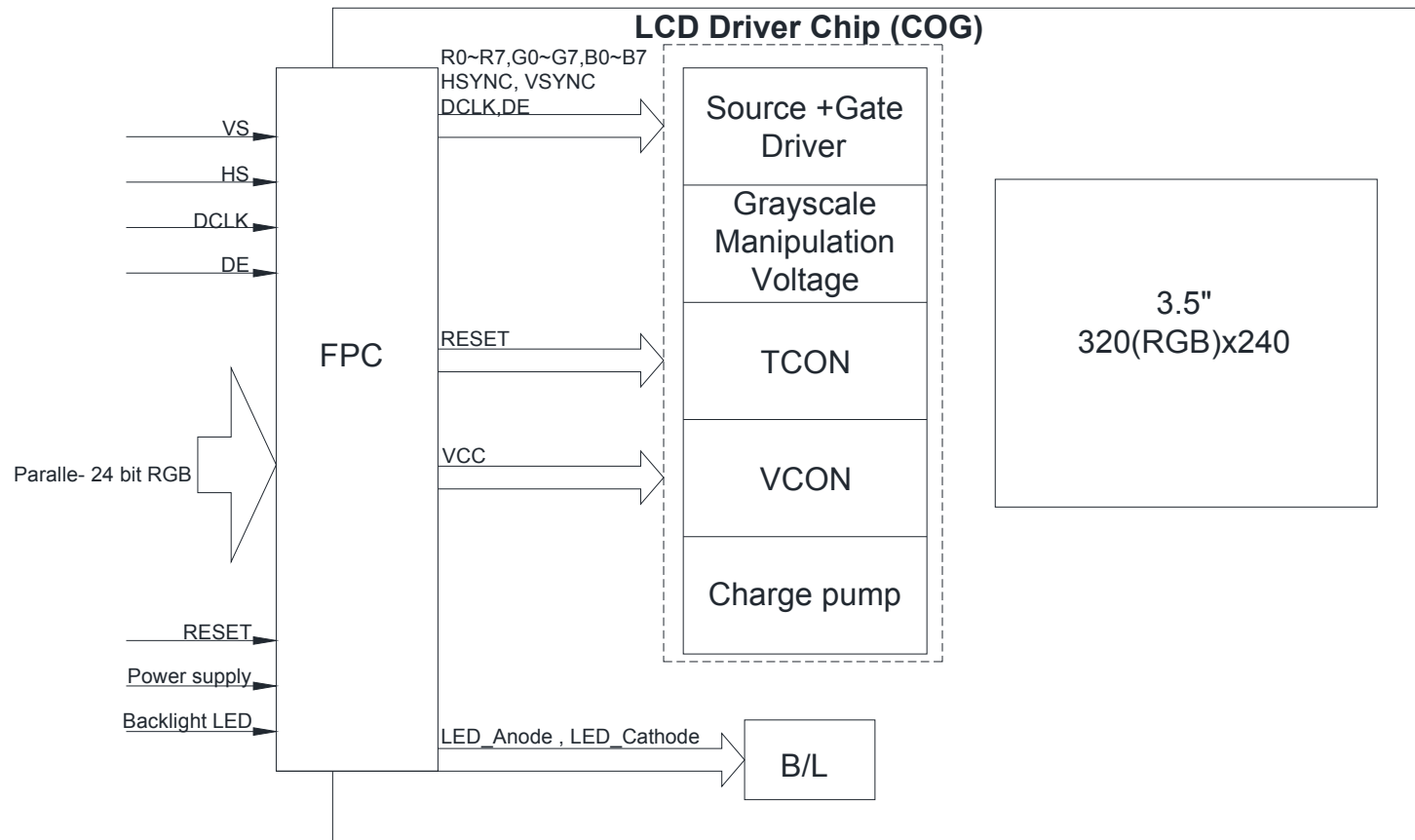
For digital 24Bit RGB input data format, both SYNC mode and DE mode are supported. If DE signal is fixed low, SYNC mode is used. Otherwise,DE mode is used. Suggest used SYNC mode!!

| Mode | D[23:16] | D[15:8] | D[7:0] | IHS | IVS | DEN |
|------------|----------|---------|--------|----------------------|----------------------|--------------------------------------|
| 24 bit RGB | R[7:0] | G[7:0] | B[7:0] | HSYNC | VSYNC | DE signal is fixed low for SYNC mode |
| | | | | Floating if not used | Floating if not used | DE for DE Mode |

8.2. Basic Display Color and Gray Scale

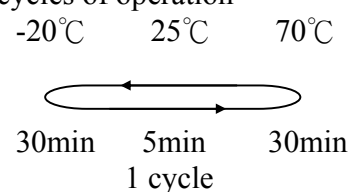
| Color | | Input Color Data | | | | | | | | | | | | | | | | | | | | | | | |
|--------------|-------------------|------------------|----|----|----|-----|----|----|----|-------|----|----|----|-----|----|----|----|------|----|----|----|-----|----|----|----|
| | | Red | | | | | | | | Green | | | | | | | | Blue | | | | | | | |
| | | MSB | | | | LSB | | | | MSB | | | | LSB | | | | MSB | | | | LSB | | | |
| | | R7 | R6 | R5 | R4 | R3 | R2 | R1 | R0 | G7 | G6 | G5 | G4 | G3 | G2 | G1 | G0 | B7 | B6 | B5 | B4 | B3 | B2 | B1 | B0 |
| Basic Colors | Black | 0 | 0 | 0 | 0 | 0 | 0 | 0 | 0 | 0 | 0 | 0 | 0 | 0 | 0 | 0 | 0 | 0 | 0 | 0 | 0 | 0 | 0 | 0 | 0 |
| | Red(255) | 1 | 1 | 1 | 1 | 1 | 1 | 1 | 1 | 0 | 0 | 0 | 0 | 0 | 0 | 0 | 0 | 0 | 0 | 0 | 0 | 0 | 0 | 0 | 0 |
| | Green(255) | 0 | 0 | 0 | 0 | 0 | 0 | 0 | 0 | 1 | 1 | 1 | 1 | 1 | 1 | 1 | 1 | 0 | 0 | 0 | 0 | 0 | 0 | 0 | 0 |
| | Blue(255) | 0 | 0 | 0 | 0 | 0 | 0 | 0 | 0 | 0 | 0 | 0 | 0 | 0 | 0 | 0 | 0 | 1 | 1 | 1 | 1 | 1 | 1 | 1 | 1 |
| | Cyan | 0 | 0 | 0 | 0 | 0 | 0 | 0 | 0 | 1 | 1 | 1 | 1 | 1 | 1 | 1 | 1 | 1 | 1 | 1 | 1 | 1 | 1 | 1 | 1 |
| | Magenta | 1 | 1 | 1 | 1 | 1 | 1 | 1 | 1 | 0 | 0 | 0 | 0 | 0 | 0 | 0 | 0 | 1 | 1 | 1 | 1 | 1 | 1 | 1 | 1 |
| | Yellow | 1 | 1 | 1 | 1 | 1 | 1 | 1 | 1 | 1 | 1 | 1 | 1 | 1 | 1 | 1 | 1 | 0 | 0 | 0 | 0 | 0 | 0 | 0 | 0 |
| | White | 1 | 1 | 1 | 1 | 1 | 1 | 1 | 1 | 1 | 1 | 1 | 1 | 1 | 1 | 1 | 1 | 1 | 1 | 1 | 1 | 1 | 1 | 1 | 1 |
| Red | Red(0) Dark | 0 | 0 | 0 | 0 | 0 | 0 | 0 | 0 | 0 | 0 | 0 | 0 | 0 | 0 | 0 | 0 | 0 | 0 | 0 | 0 | 0 | 0 | 0 | 0 |
| | Red(1) | 0 | 0 | 0 | 0 | 0 | 0 | 0 | 1 | 0 | 0 | 0 | 0 | 0 | 0 | 0 | 0 | 0 | 0 | 0 | 0 | 0 | 0 | 0 | 0 |
| | Red(2) | 0 | 0 | 0 | 0 | 0 | 0 | 1 | 0 | 0 | 0 | 0 | 0 | 0 | 0 | 0 | 0 | 0 | 0 | 0 | 0 | 0 | 0 | 0 | 0 |
| | : | : | : | : | : | : | : | : | : | : | : | : | : | : | : | : | : | : | : | : | : | : | : | : | : |
| | Red(253) | 1 | 1 | 1 | 1 | 1 | 1 | 0 | 1 | 0 | 0 | 0 | 0 | 0 | 0 | 0 | 0 | 0 | 0 | 0 | 0 | 0 | 0 | 0 | 0 |
| | Red(254) | 1 | 1 | 1 | 1 | 1 | 1 | 1 | 0 | 0 | 0 | 0 | 0 | 0 | 0 | 0 | 0 | 0 | 0 | 0 | 0 | 0 | 0 | 0 | 0 |
| | Red(255) Bright | 1 | 1 | 1 | 1 | 1 | 1 | 1 | 1 | 0 | 0 | 0 | 0 | 0 | 0 | 0 | 0 | 0 | 0 | 0 | 0 | 0 | 0 | 0 | 0 |
| Green | Green(0) Dark | 0 | 0 | 0 | 0 | 0 | 0 | 0 | 0 | 0 | 0 | 0 | 0 | 0 | 0 | 0 | 0 | 0 | 0 | 0 | 0 | 0 | 0 | 0 | 0 |
| | Green(1) | 0 | 0 | 0 | 0 | 0 | 0 | 0 | 0 | 0 | 0 | 0 | 0 | 0 | 0 | 0 | 1 | 0 | 0 | 0 | 0 | 0 | 0 | 0 | 0 |
| | Green(2) | 0 | 0 | 0 | 0 | 0 | 0 | 0 | 0 | 0 | 0 | 0 | 0 | 0 | 0 | 1 | 0 | 0 | 0 | 0 | 0 | 0 | 0 | 0 | 0 |
| | : | : | : | : | : | : | : | : | : | : | : | : | : | : | : | : | : | : | : | : | : | : | : | : | : |
| | Green(253) | 0 | 0 | 0 | 0 | 0 | 0 | 0 | 0 | 1 | 1 | 1 | 1 | 1 | 1 | 0 | 1 | 0 | 0 | 0 | 0 | 0 | 0 | 0 | 0 |
| | Green(254) | 0 | 0 | 0 | 0 | 0 | 0 | 0 | 0 | 1 | 1 | 1 | 1 | 1 | 1 | 1 | 0 | 0 | 0 | 0 | 0 | 0 | 0 | 0 | 0 |
| | Green(255) Bright | 0 | 0 | 0 | 0 | 0 | 0 | 0 | 0 | 1 | 1 | 1 | 1 | 1 | 1 | 1 | 1 | 0 | 0 | 0 | 0 | 0 | 0 | 0 | 0 |
| Blue | Blue(0) Dark | 0 | 0 | 0 | 0 | 0 | 0 | 0 | 0 | 0 | 0 | 0 | 0 | 0 | 0 | 0 | 0 | 0 | 0 | 0 | 0 | 0 | 0 | 0 | 0 |
| | Blue(1) | 0 | 0 | 0 | 0 | 0 | 0 | 0 | 0 | 0 | 0 | 0 | 0 | 0 | 0 | 0 | 0 | 0 | 0 | 0 | 0 | 0 | 0 | 0 | 1 |
| | Blue(2) | 0 | 0 | 0 | 0 | 0 | 0 | 0 | 0 | 0 | 0 | 0 | 0 | 0 | 0 | 0 | 0 | 0 | 0 | 0 | 0 | 0 | 0 | 1 | 0 |
| | : | : | : | : | : | : | : | : | : | : | : | : | : | : | : | : | : | : | : | : | : | : | : | : | : |
| | Blue(253) | 0 | 0 | 0 | 0 | 0 | 0 | 0 | 0 | 0 | 0 | 0 | 0 | 0 | 0 | 0 | 0 | 1 | 1 | 1 | 1 | 1 | 1 | 0 | 1 |
| | Blue(254) | 0 | 0 | 0 | 0 | 0 | 0 | 0 | 0 | 0 | 0 | 0 | 0 | 0 | 0 | 0 | 0 | 1 | 1 | 1 | 1 | 1 | 1 | 1 | 0 |
| | Blue(255) Bright | 0 | 0 | 0 | 0 | 0 | 0 | 0 | 0 | 0 | 0 | 0 | 0 | 0 | 0 | 0 | 0 | 1 | 1 | 1 | 1 | 1 | 1 | 1 | 1 |

9. Block Diagram



10. Reliability

Content of Reliability Test (Wide temperature, -20°C~70°C)

| Environmental Test | | | |
|--------------------------------------|---|--|------|
| Test Item | Content of Test | Test Condition | Note |
| High Temperature storage | Endurance test applying the high storage temperature for a long time. | 80°C 200hrs | 2 |
| Low Temperature storage | Endurance test applying the low storage temperature for a long time. | -30°C 200hrs | 1,2 |
| High Temperature Operation | Endurance test applying the electric stress (Voltage & Current) and the thermal stress to the element for a long time. | 70°C 200hrs | — |
| Low Temperature Operation | Endurance test applying the electric stress under low temperature for a long time. | -20°C 200hrs | 1 |
| High Temperature/ Humidity Operation | The module should be allowed to stand at 60 °C,90%RH max | 60°C,90%RH 96hrs | 1,2 |
| Thermal shock resistance | The sample should be allowed stand the following 10 cycles of operation <div style="text-align: center;">  <p>30min 5min 30min 1 cycle</p> </div> | -20°C/70°C 10 cycles | — |
| Vibration test | Endurance test applying the vibration during transportation and using. | Total fixed amplitude : 15mm Vibration Frequency : 10~55Hz One cycle 60 seconds to 3 directions of X,Y,Z for Each 15 minutes | 3 |
| Static electricity test | Endurance test applying the electric stress to the terminal. | VS=±600V(contact), ±800v(air), RS=330 Ω CS=150pF 10 times | — |

Note1: No dew condensation to be observed.

Note2: The function test shall be conducted after 4 hours storage at the normal Temperature and humidity after remove from the test chamber.

Note3: The packing have to including into the vibration testing.

11. Contour Drawing

