



Chipsmall Limited consists of a professional team with an average of over 10 year of expertise in the distribution of electronic components. Based in Hongkong, we have already established firm and mutual-benefit business relationships with customers from,Europe,America and south Asia,supplying obsolete and hard-to-find components to meet their specific needs.

With the principle of "Quality Parts,Customers Priority,Honest Operation,and Considerate Service",our business mainly focus on the distribution of electronic components. Line cards we deal with include Microchip,ALPS,ROHM,Xilinx,Pulse,ON,Everlight and Freescale. Main products comprise IC,Modules,Potentiometer,IC Socket,Relay,Connector.Our parts cover such applications as commercial,industrial, and automotives areas.

We are looking forward to setting up business relationship with you and hope to provide you with the best service and solution. Let us make a better world for our industry!



Contact us

Tel: +86-755-8981 8866 Fax: +86-755-8427 6832

Email & Skype: info@chipsmall.com Web: www.chipsmall.com

Address: A1208, Overseas Decoration Building, #122 Zhenhua RD., Futian, Shenzhen, China





EPAD® PRODUCT SELECTION GUIDE

E100 PROGRAMMER

This is the base unit used in conjunction with a E100 series Interface Adapter Modules to measure and program ALD EPAD devices in either stand-alone, application specific or in-system mode. The E100 is driven by application software that is ready to load and use.

APPLICATION SOFTWARE

The application software included is available in both DOS and Windows-based versions. Specifically, EPAD programming sequences are coded in short program templates called datasheets -- a collection of which are included as xxxx.ds files. These xxxx.ds files are text based, and can be easily copied and edited by the user. One or more of these datasheets can be used to program EPAD in either stand-alone, application specific, or in-system modes for automated programming.

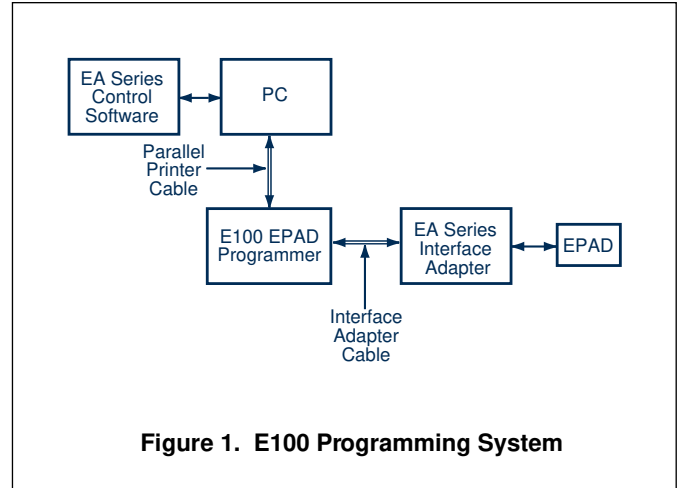


Figure 1. E100 Programming System

EA100 SERIES ADAPTER MODULES

Used in conjunction with the E100 Programmer base unit, these adapters provide an interface between the E100 Programmer and the EPAD being programmed. Each adapter module is built for a specific EPAD device family. For SOIC packages, an EASOIC adapter module socket can be easily added into your adapter module.

Partial Listing - EA100 Series Adapter Modules

Module	ALD Analog Device
EA101	Basic Single Resistor Programming w/cable
EA102	Zero Tempco Programming w/cable
EA103	Single EPAD Op Amp w/cable
EA104	Dual EPAD Op Amp w/cable

EA101 Basic Single Resistor Programming Adapter Module with Cable

This adapter module is for the measurement and programming of *Dual/Quad EPADs* for *Vt adjustment*. It can be used to program from one to four EPAD channels automatically.

EPAD MOSFETs Used with the EA101 and EA102

Part No.	Description
ALD1108EPC	Quad EPAD, 16 Lead, PDIP
ALD1108ESC	Quad EPAD, 16 Lead, SOIC*
ALD1110EPA	Dual EPAD, 8 Lead, PDIP
ALD1110ESA	Dual EPAD, 8 Lead, SOIC*

* Use with EASOIC Socket

EA102 Zero Temperature Coefficient Programming Adapter Module with Cable

The EA102 adapter module is for measuring and programming of *Dual/Quad EPADs* for *Zero Tempco current bias mode*. The EA102 has built-in constant current source set at 68 μ A for Zero Temperature Coefficient (ZTC) mode operation. It can be used to program from one to four EPAD channels automatically.

EPAD Accessories

Part No.	Description
EASOIC	SOIC Socket for Adapter Module

PART NUMBER	ADAPTER MODULE	DATASHEETS	OPTIONS	OTHER DATASHEETS
ALD1108EPC	EA101 or EA102	E100.ds, EA101.ds, EA102.ds		1108.ds, 11xx.ds
ALD1108ESC	EA101 or EA102	E100.ds, EA101.ds, EA102.ds	EASOIC	1108.ds, 11xx.ds
ALD1110EPA	EA101 or EA102	E100.ds, EA101.ds, EA102.ds		1108.ds, 11xx.ds
ALD1110ESA	EA101 or EA102	E100.ds, EA101.ds, EA102.ds	EASOIC	1108.ds, 11xx.ds

EA103 Single EPAD Op Amp Adapter Module with Cable

The EA103 adapter module is an interface for the connection of any EPAD op amp to the E100 programmer. It is designed for the measurement and programming of *Single EPAD Op-Amps Vos Adjustment*.

Single EPAD Op Amps for the EA103 Adapter Module		
Part No.	Description	Package Type 8 Lead
ALD1721EPA	EPAD Op Amp, Micropower, Vos Prog. Range ± 10 mV, PDIP	
ALD1721PA	EPAD Op Amp, Micropower, Vos Prog. Range ± 1 mV, PDIP	
ALD1721ESA	EPAD Op Amp, Micropower, Vos Prog. Range ± 10 mV, SOIC*	
ALD1721SA	EPAD Op Amp, Micropower, Vos Prog. Range ± 1 mV, SOIC*	
ALD1722EPA	EPAD Op Amp, 5V, Vos Prog. Range ± 5 mV, PDIP	
ALD1722PA	EPAD Op Amp, 5V, Vos Prog. Range ± 0.5 mV, PDIP	
ALD1722ESA	EPAD Op Amp, 5V, Vos Prog. Range ± 5 mV, SOIC*	
ALD1722SA	EPAD Op Amp, 5V, Vos Prog. Range ± 0.5 mV, SOIC*	
ALD1726EPA	EPAD Op Amp, Ultra-Micropower, Vos Prog. Range ± 10 mV, PDIP	
ALD1726PA	EPAD Op Amp, Ultra-Micropower, Vos Prog. Range ± 1 mV, PDIP	
ALD1726ESA	EPAD Op Amp, Ultra-Micropower, Vos Prog. Range ± 10 mV, SOIC*	
ALD1726SA	EPAD Op Amp, Ultra-Micropower, Vos Prog. Range ± 1 mV, SOIC*	

EA104 Dual EPAD Op Amp Adapter Module with Cable

The EA104 adapter module is an interface for the connection of any dual EPAD op amps to the E100 programmer. It is designed for measuring and programming *Dual Op Amps Vos adjustment*.

Dual EPAD Op Amps for the EA104 Adapter Module		
Part No.	Description	Package Type 14 Lead
ALD2721EPB	EPAD Op Amp, Micropower, Vos Prog. Range ± 5 mV, PDIP	
ALD2721PB	EPAD Op Amp, Micropower, Vos Prog. Range ± 0.5 mV, PDIP	
ALD2721ESB	EPAD Op Amp, Micropower, Vos Prog. Range ± 5 mV, SOIC*	
ALD2721SB	EPAD Op Amp, Micropower, Vos Prog. Range ± 0.5 mV, SOIC*	
ALD2722EPB	EPAD Op Amp, 5V, Vos Prog. Range ± 5 mV, PDIP	
ALD2722PB	EPAD Op Amp, 5V, Vos Prog. Range ± 0.5 mV, PDIP	
ALD2722ESB	EPAD Op Amp, 5V, Vos Prog. Range ± 5 mV, SOIC*	
ALD2722SB	EPAD Op Amp, 5V, Vos Prog. Range ± 0.5 mV, SOIC*	
ALD2726EPB	EPAD Op Amp, Ultra-Micropower, Vos Prog. Range ± 7 mV, PDIP	
ALD2726PB	EPAD Op Amp, Ultra-Micropower, Vos Prog. Range ± 0.7 mV, PDIP	
ALD2726ESB	EPAD Op Amp, Ultra-Micropower Vos Prog. Range ± 7 mV, SOIC*	
ALD2726SB	EPAD Op Amp, Ultra-Micropower Vos Prog. Range ± 0.7 mV, SOIC*	

* Use with EASOIC socket

PART NUMBER	ADAPTER MODULE	DATASHEETS	OPTIONS	OTHER DATASHEETS
ALD1721EPA/ALD1721PA	EA103	1721.ds		1721m.ds
ALD1721ESA/ALD1721SA	EA103	1721.ds	EASOIC	1721m.ds
ALD1722EPA/ALD1722PA	EA103	1722.ds		1722m.ds
ALD1722ESA/ALD1722SA	EA103	1722.ds	EASOIC	1722m.ds
ALD1726EPA/ALD1726PA	EA103	1726.ds		1726m.ds
ALD1726ESA/ALD1726SA	EA103	1726.ds	EASOIC	1726m.ds
ALD2721EPB/ALD2721PB	EA104	2721.ds		2721m.ds
ALD2721ESB/ALD2721SB	EA104	2721.ds	EASOIC	2721m.ds
ALD2722EPB/ALD2722PB	EA104	2722.ds		2722m.ds
ALD2722ESB/ALD2722SB	EA104	2722.ds	EASOIC	2722m.ds
ALD2726EPB/ALD2726PB	EA104	2726.ds		2726m.ds
ALD2726ESB/ALD2726SB	EA104	2726.ds	EASOIC	2726m.ds

Free Software Included:

1. EA101.EXE - A DOS-based, self-contained programming for quick illustrative overview.
2. E100.EXE - A DOS-based universal program designed to work with pre-programmed templates called datasheets.
3. E100W.EXE - A Windows-based universal program designed to work with pre-programmed datasheet templates.
4. A collection of pre-programmed software templates (datasheets)